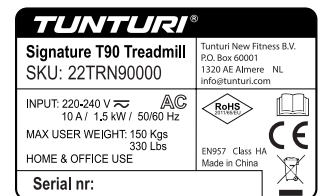


TUNTURI®

SIGNATURE T90 TREADMILL

GB	User manual	18 - 28
DE	Benutzerhandbuch	29 - 40
FR	Manuel de l'utilisateur	41 - 52
NL	Gebruikershandleiding	53 - 64
IT	Manuale d'uso	65 - 76
ES	Manual del usuario	77 - 88
SV	Bruksanvisning	89 - 99
SU	Käyttöohje	100 - 110



Attention, Achtung, Attention, Attentie, Attenzione, Atención, Giv akt, Huomio

- **Please read this user manual carefully prior to using this product.**
- Lesen Sie sich vor dem Gebrauch des Produkts diese Bedienungsanleitung sorgfältig durch.
- Veuillez lire attentivement le présent manuel de l'utilisateur avant d'utiliser ce produit.
- Lees deze gebruikershandleiding zorgvuldig voordat u dit product gaat gebruiken.
- Leggere attentamente questo manuale dell'utente prima di utilizzare il prodotto.
- Antes de utilizar este producto, lea atentamente este manual de usuario.
- Läs den här användarhandboken noggrant före användning av den här produkten.
- Lue tämä käyttöohje huolellisesti ennen tämän tuotteen käyttöä.

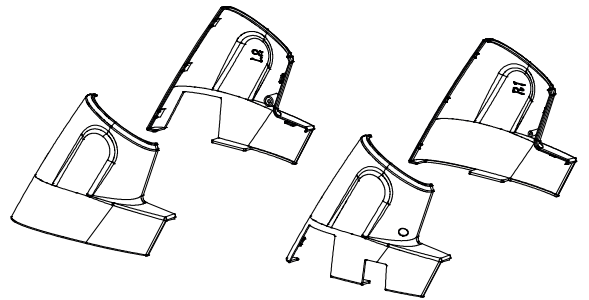
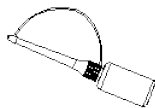
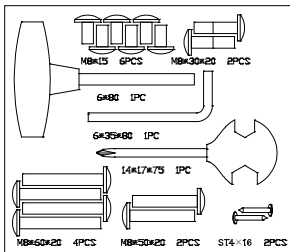
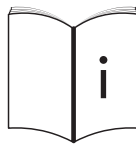
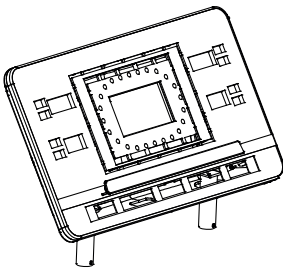
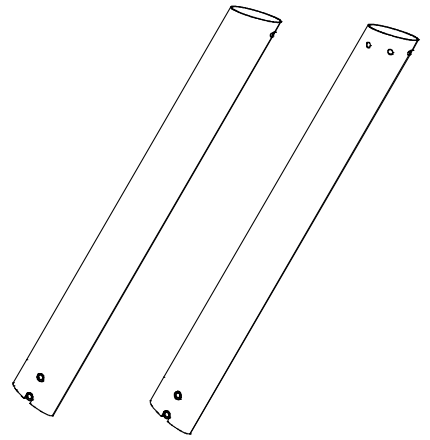
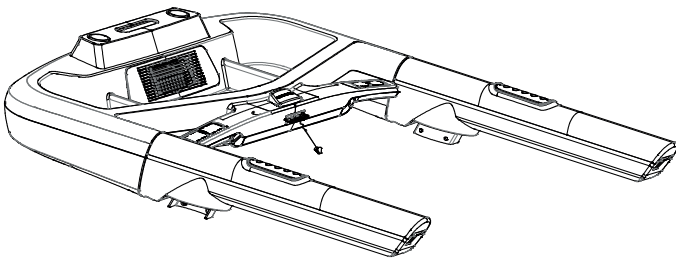
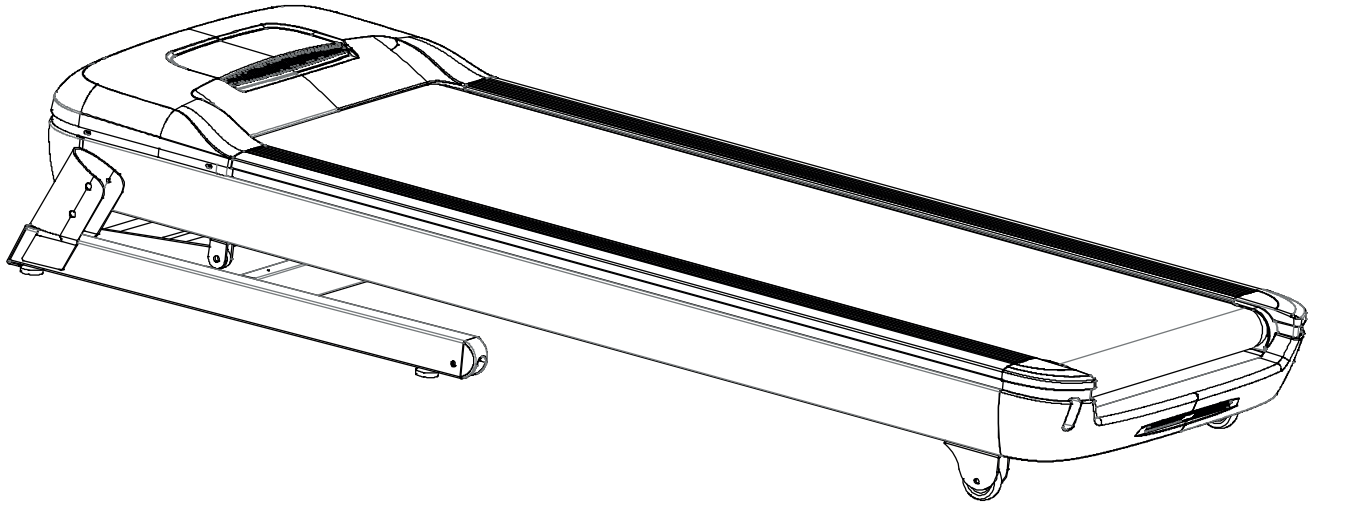


A

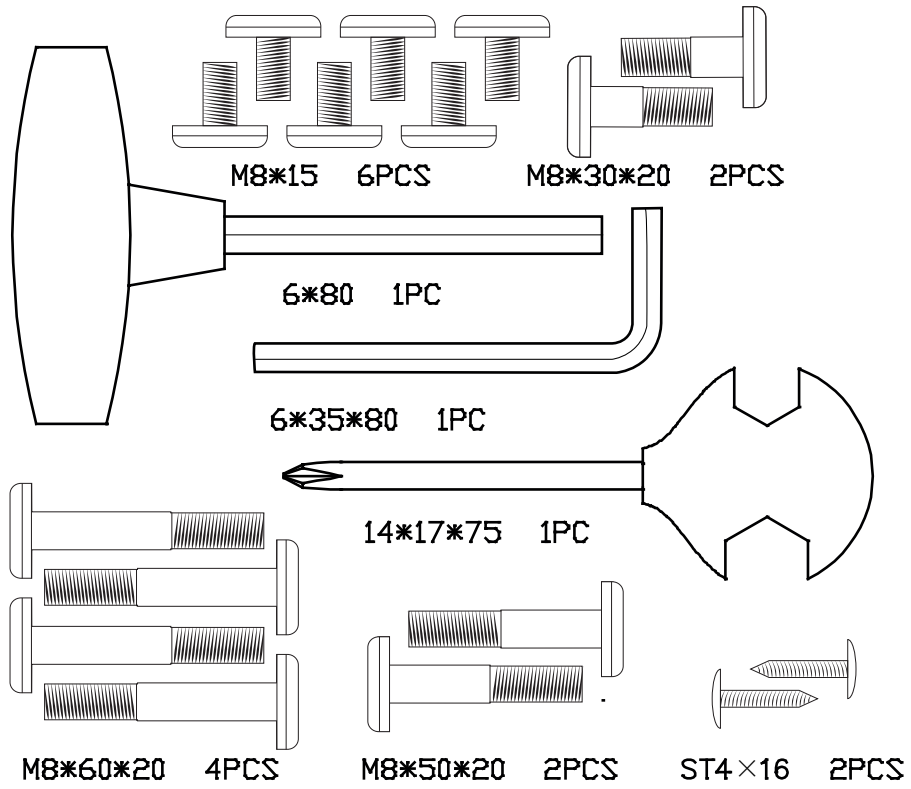




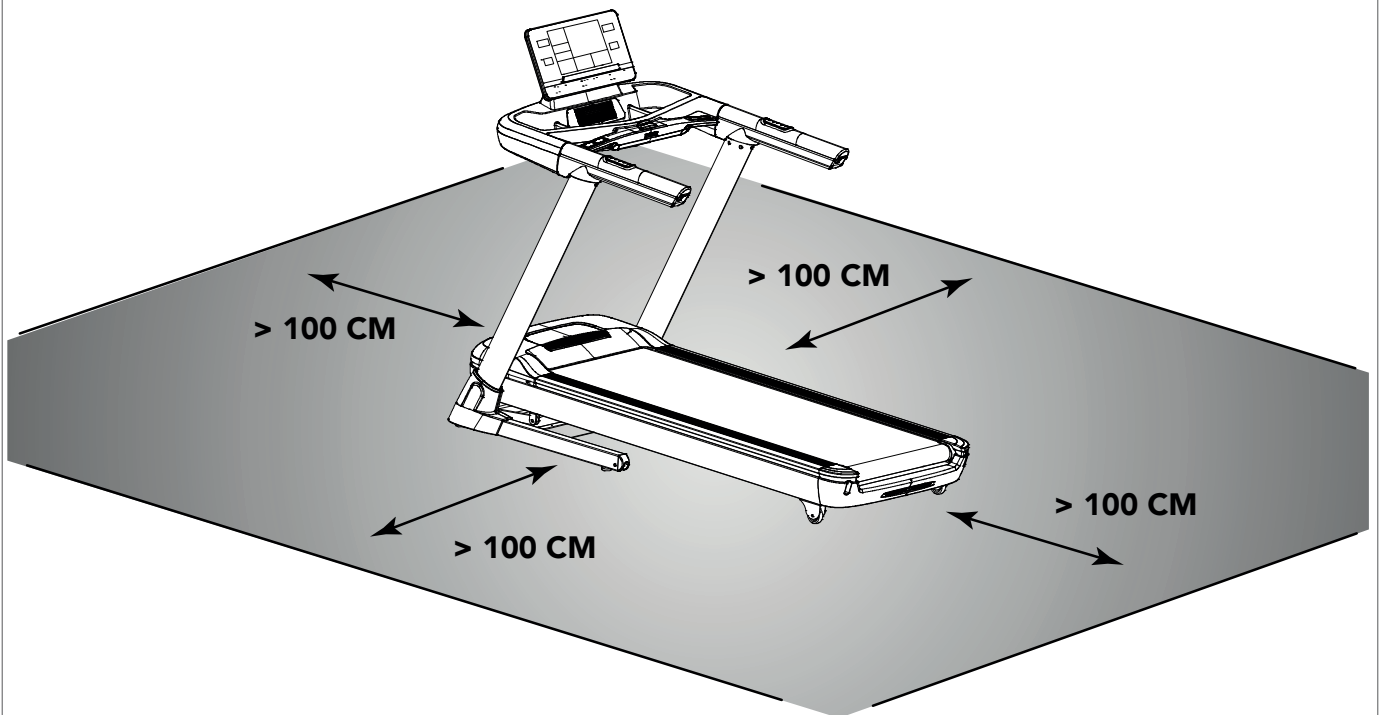
B



C

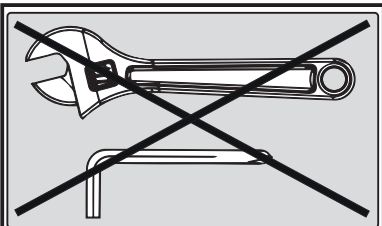


D-0

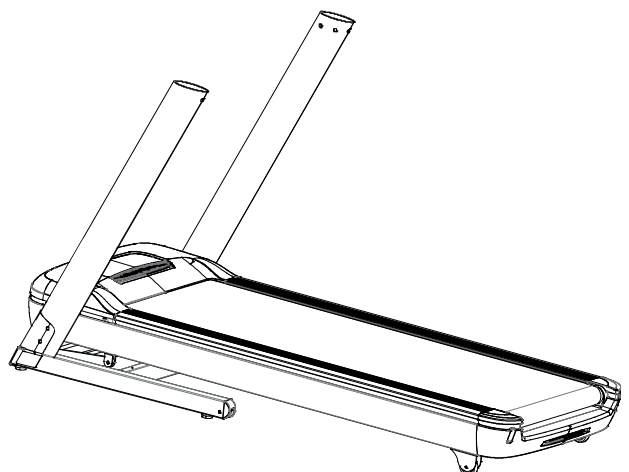
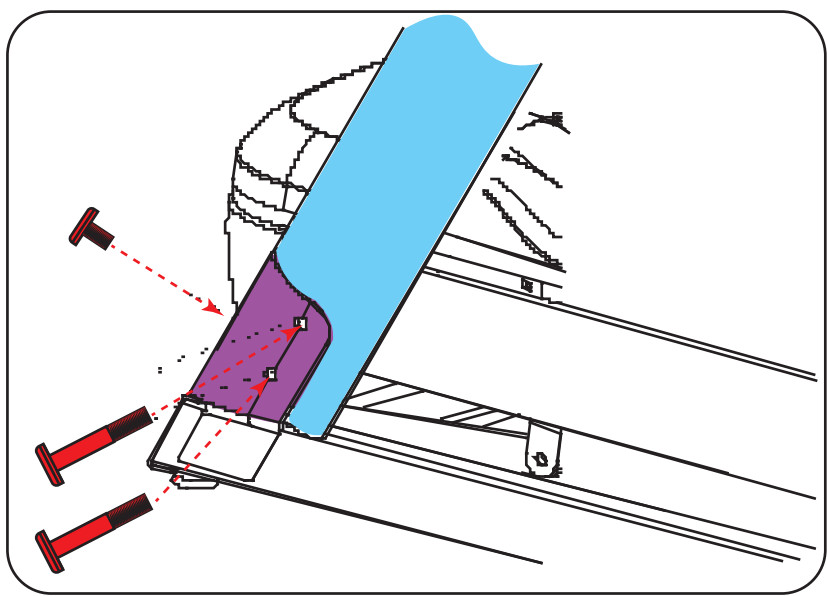
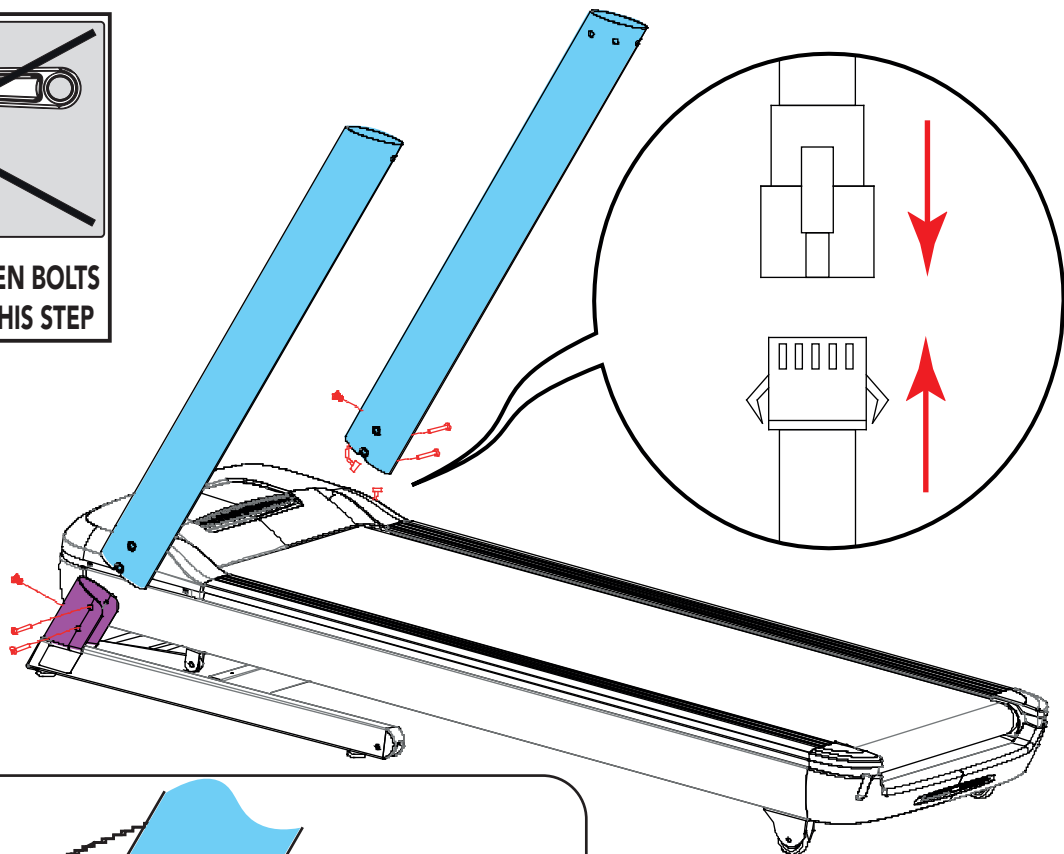




D-1

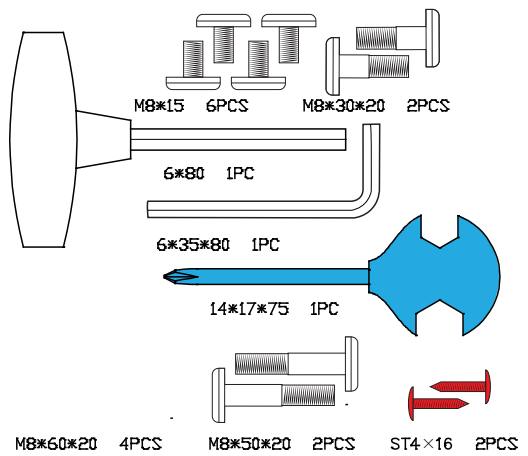
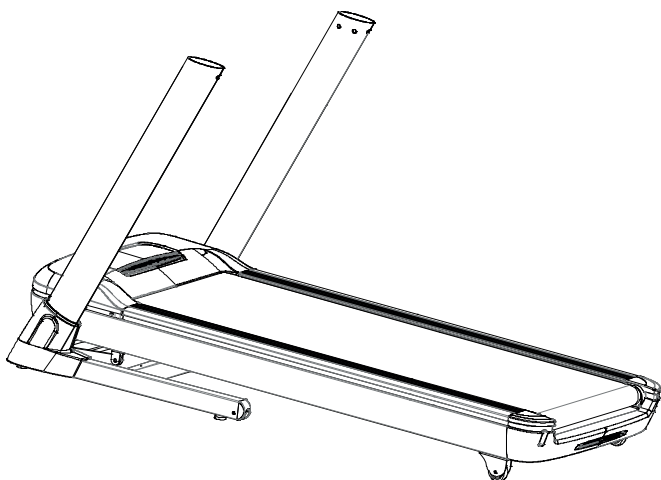
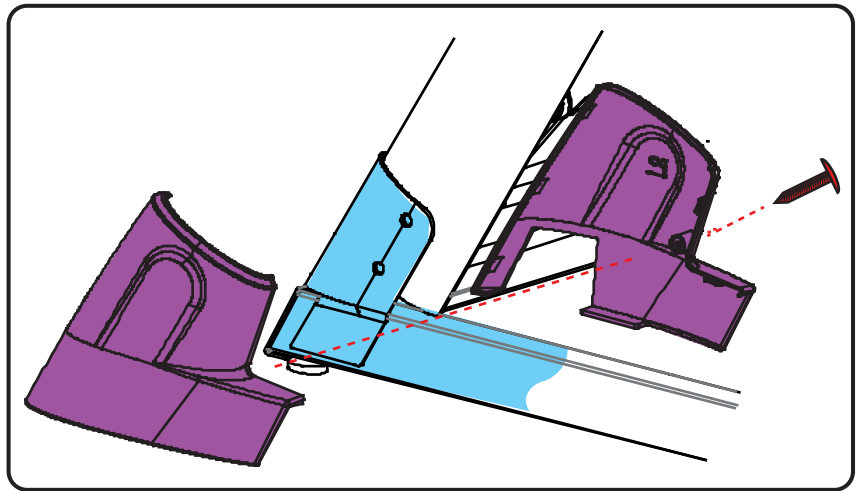
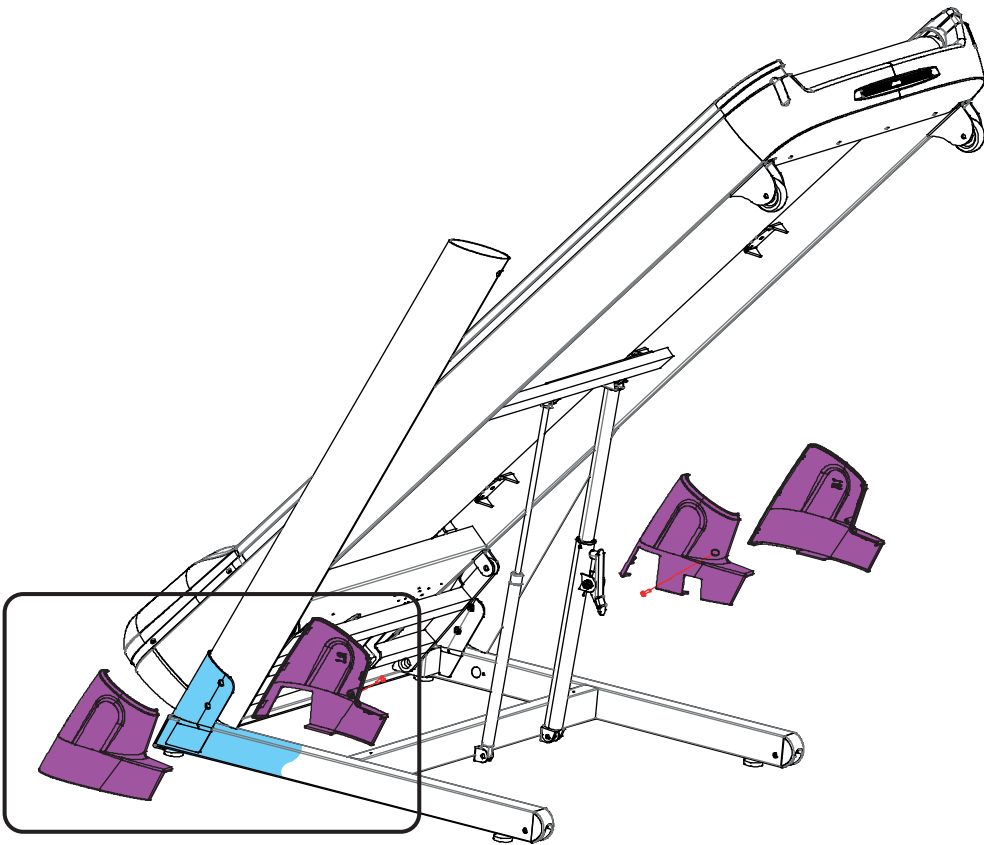


DO NOT TIGHTEN BOLTS AND NUTS IN THIS STEP



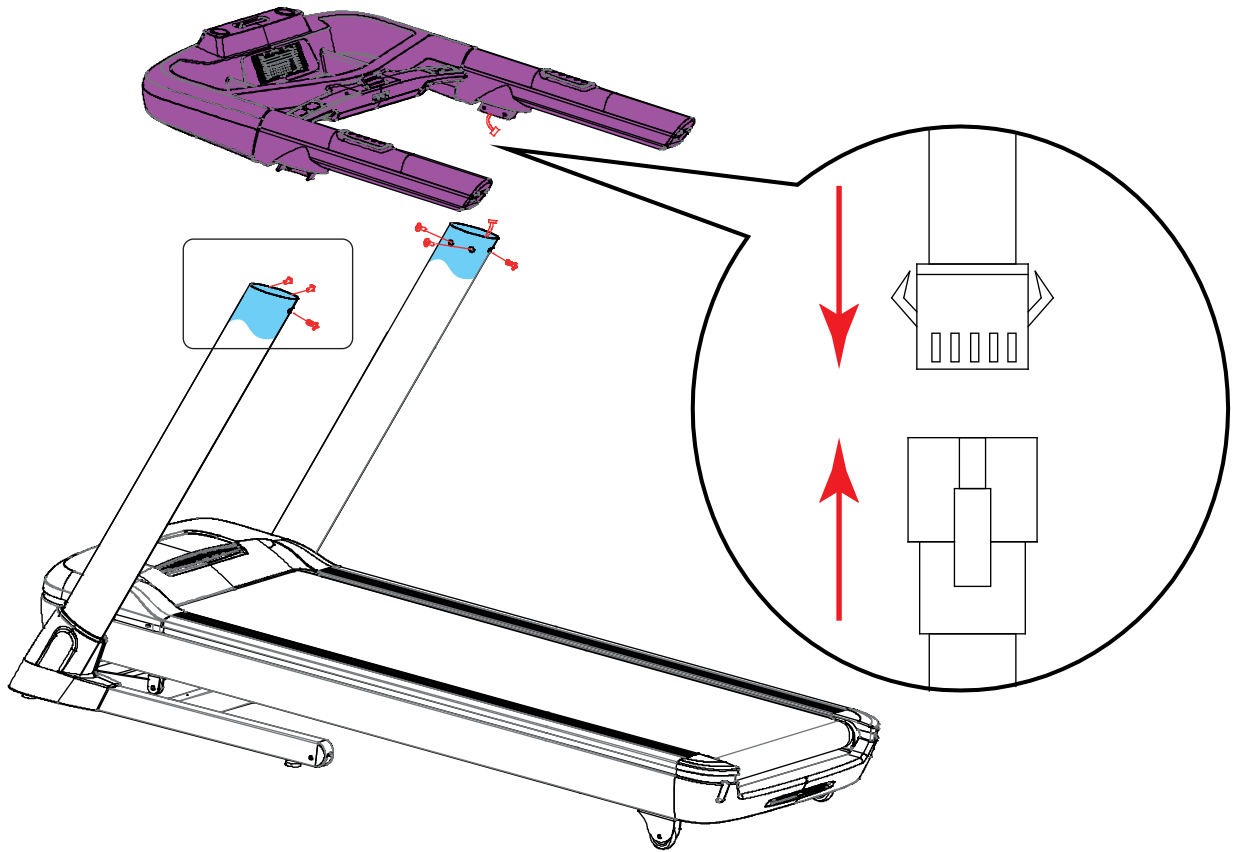
- M8*15 6PCS
- M8*30*20 2PCS
- 6*80 1PC
- 6*35*80 1PC
- 14*17*75 1PC
- M8*60*20 4PCS
- M8*50*20 2PCS
- ST4*16 2PCS

D-2

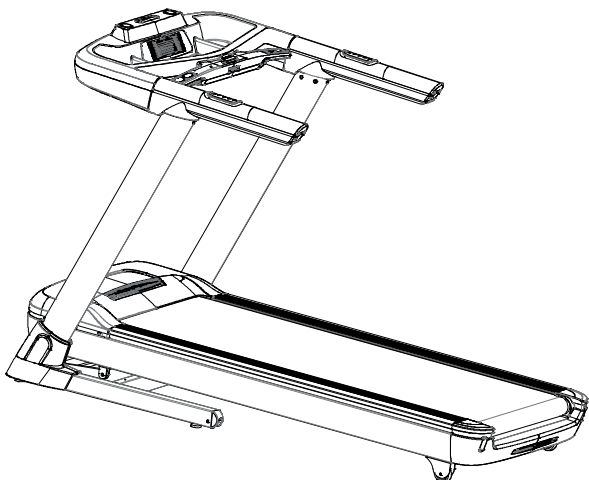
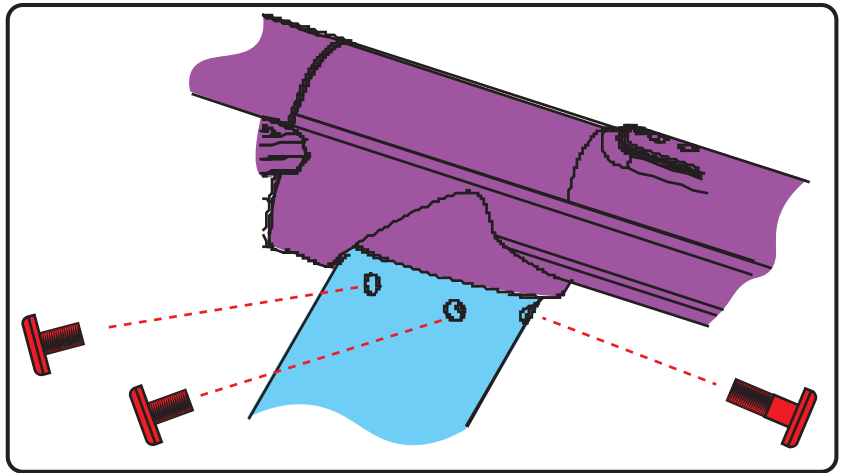




D-3

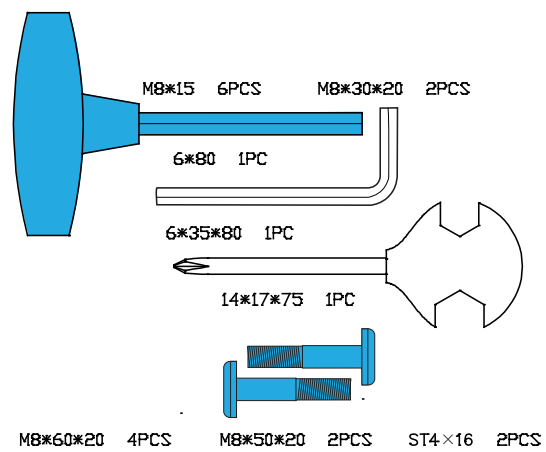
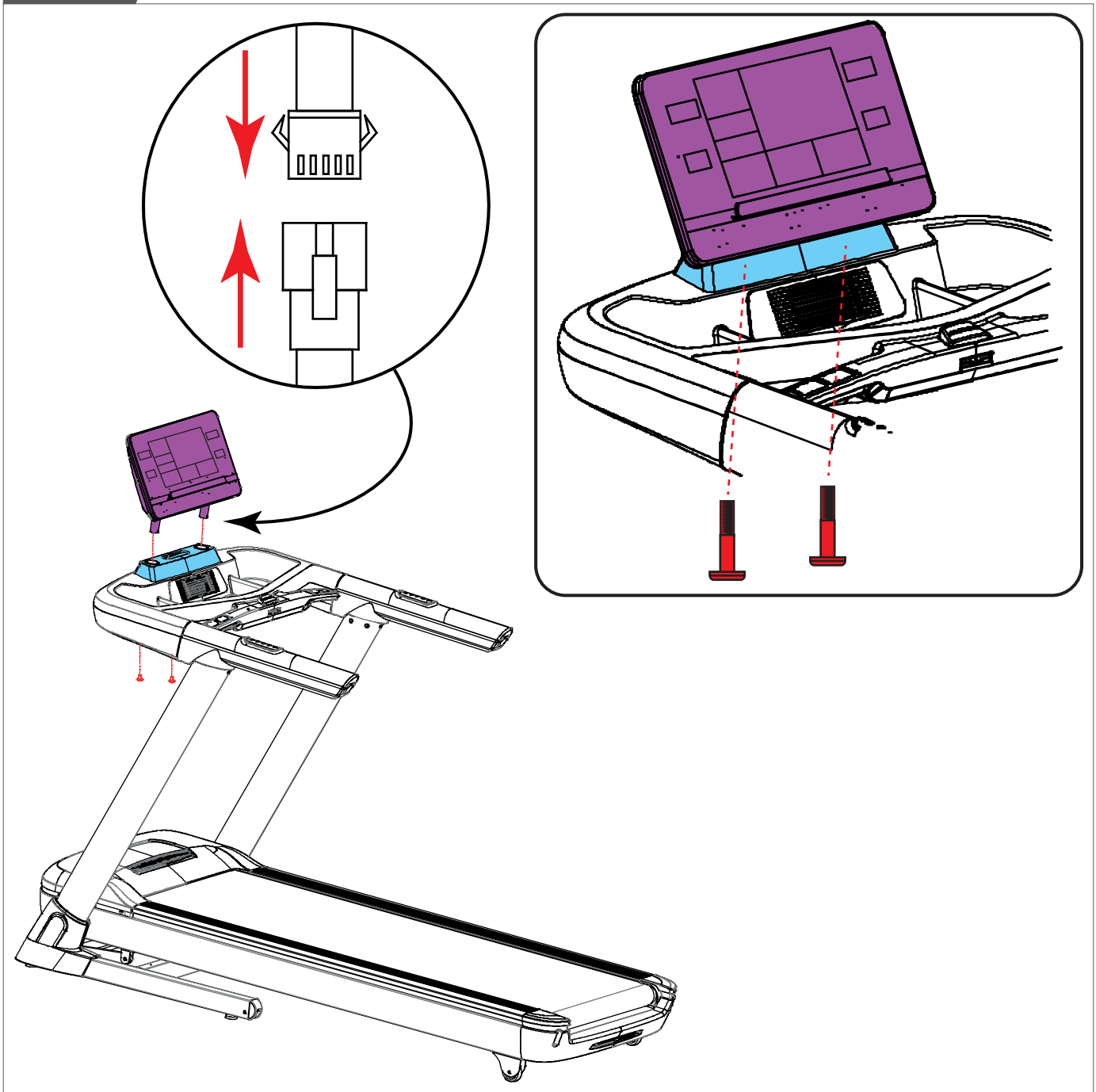


DO TIGHTEN ALL BOLTS AND NUTS IN THIS STEP AND BOLTS AND NUTS OF FORMER STEPS



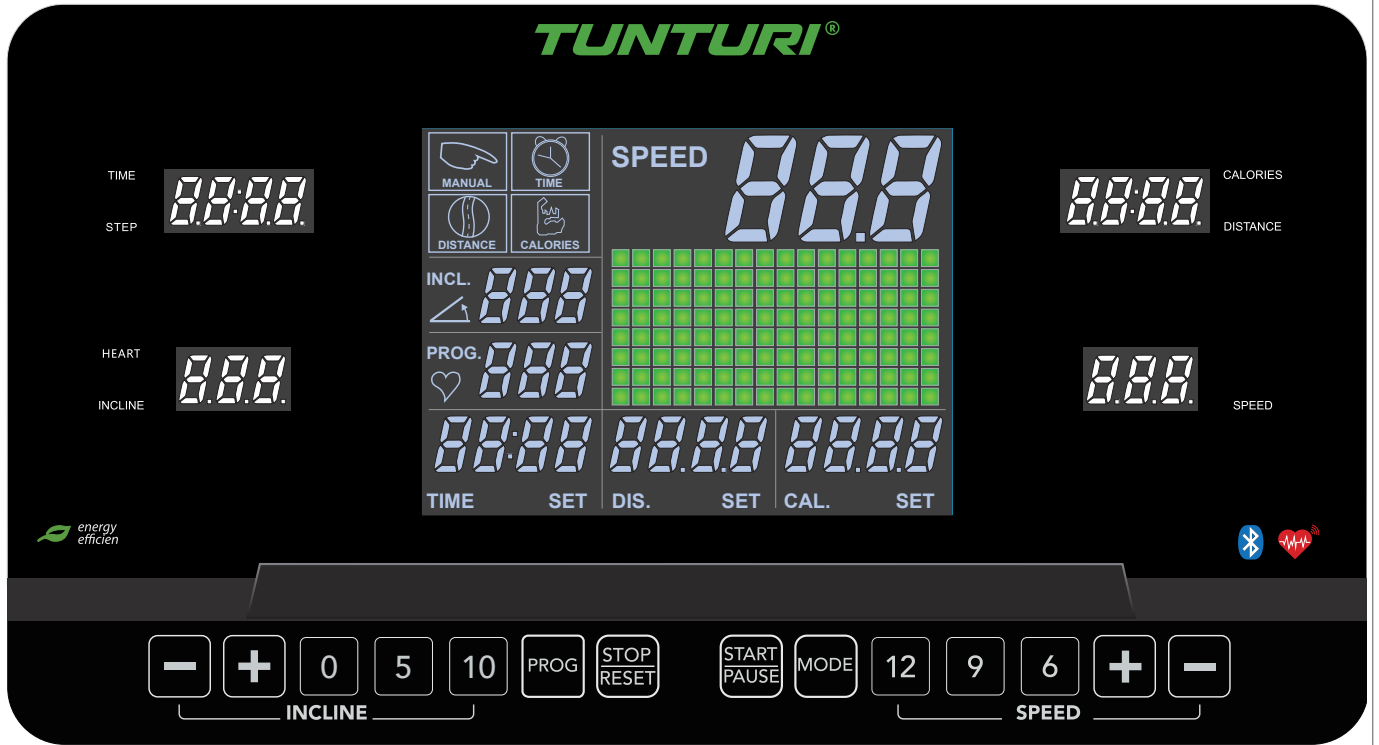
- M8*15 6PCS
- M8*30*20 2PCS
- 6*80 1PC
- 6*35*80 1PC
- 14*17*75 1PC
- M8*60*20 4PCS
- M8*50*20 2PCS
- ST4*16 2PCS

D-4

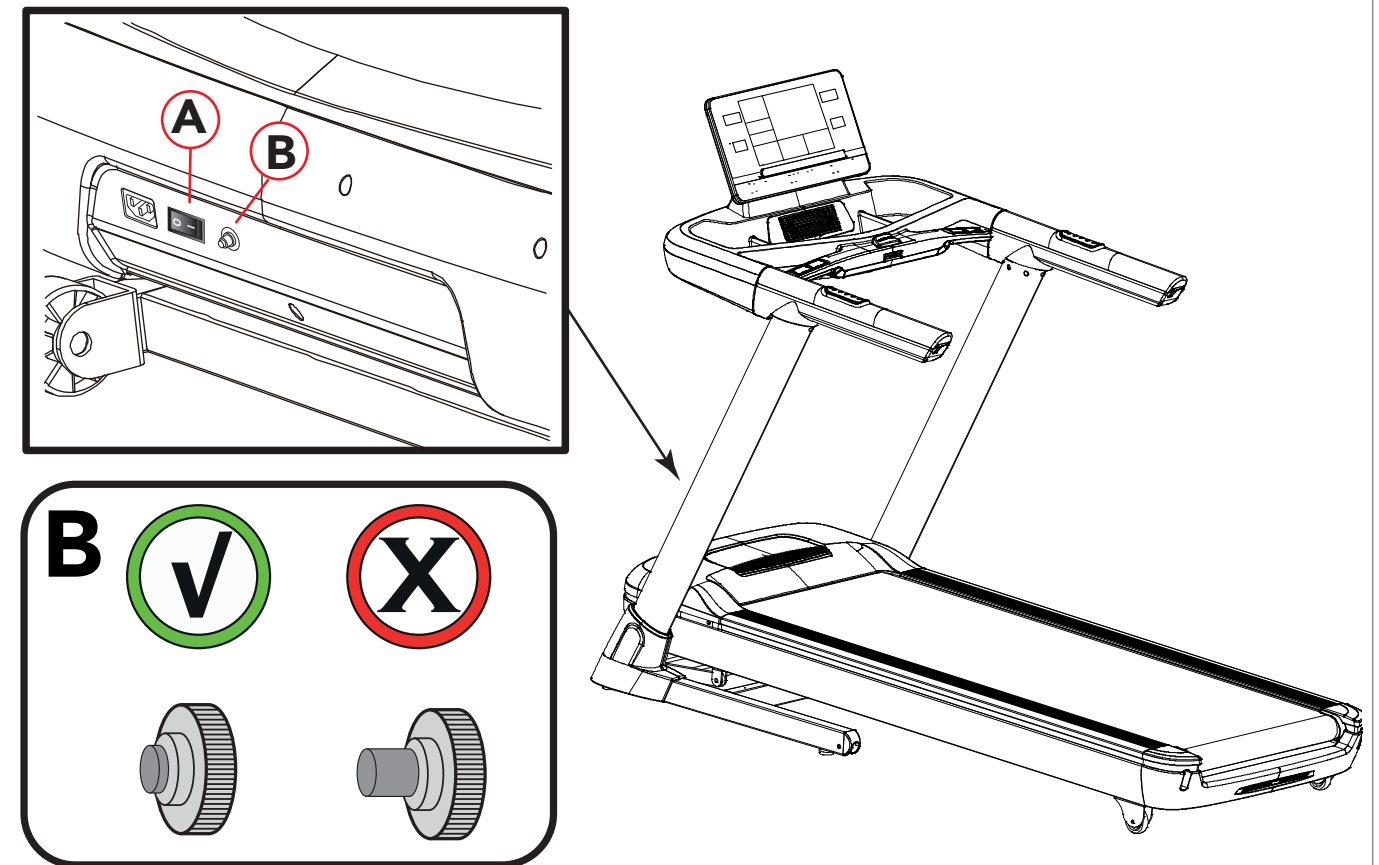




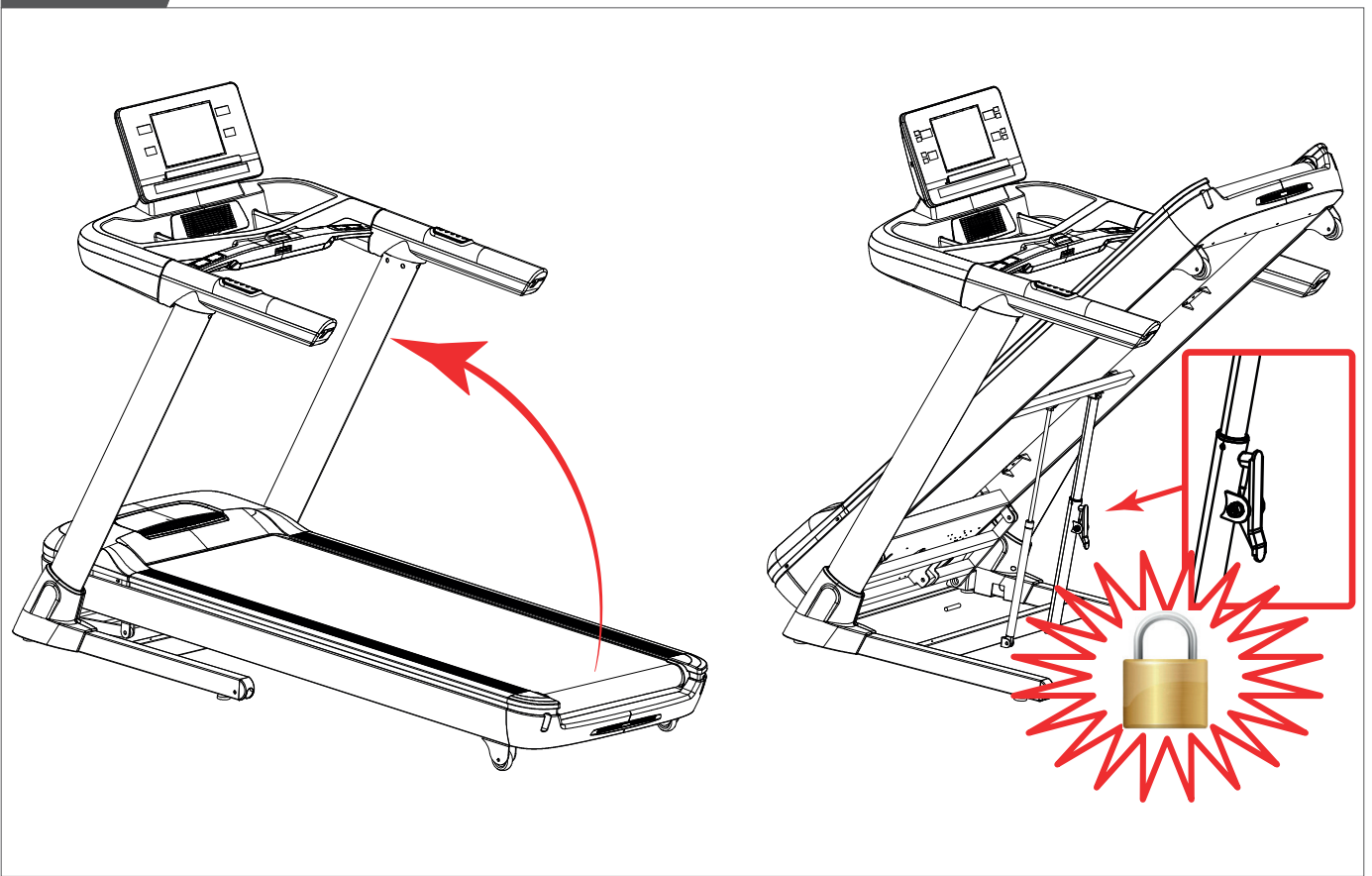
E-1



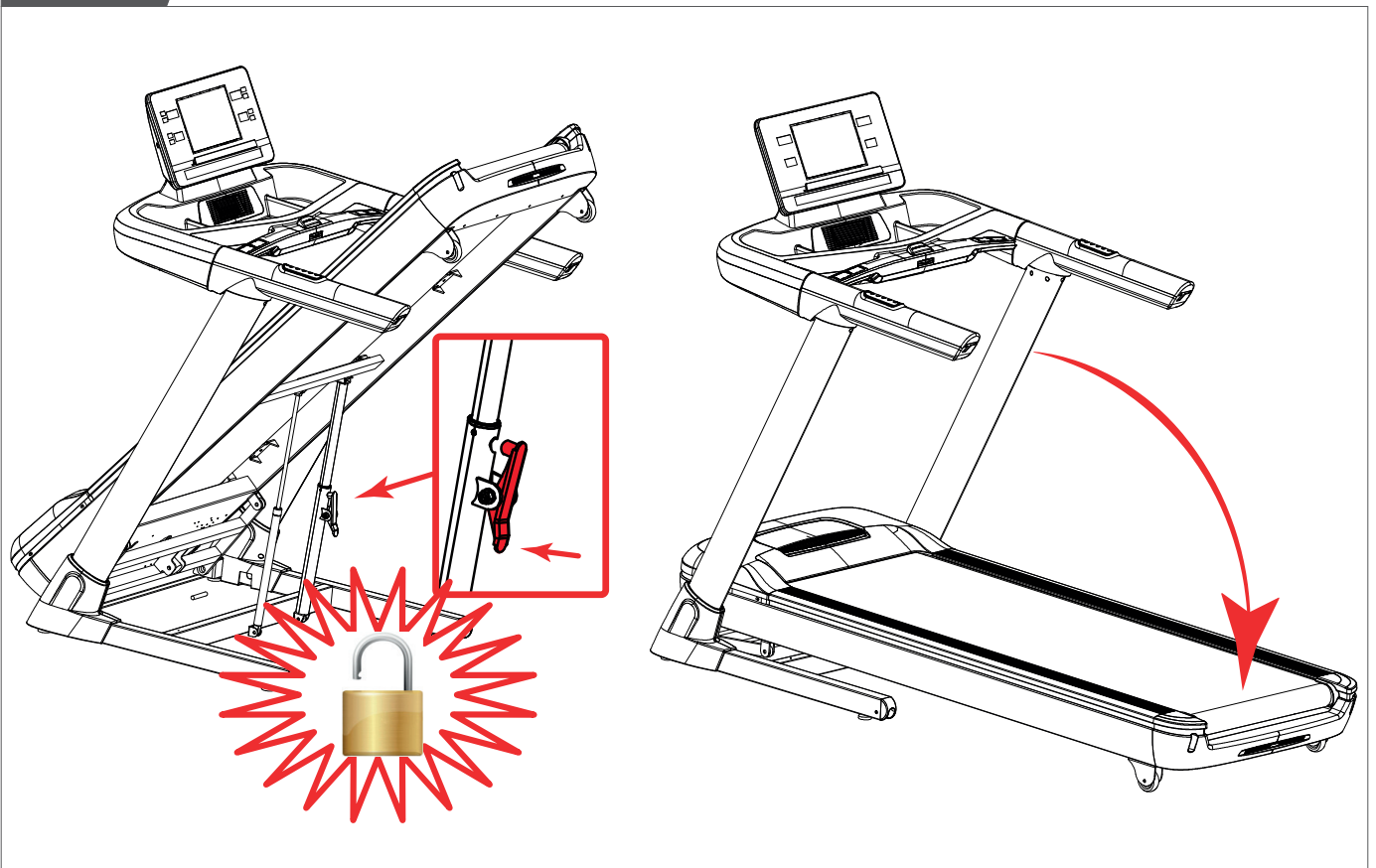
E-2



F-1

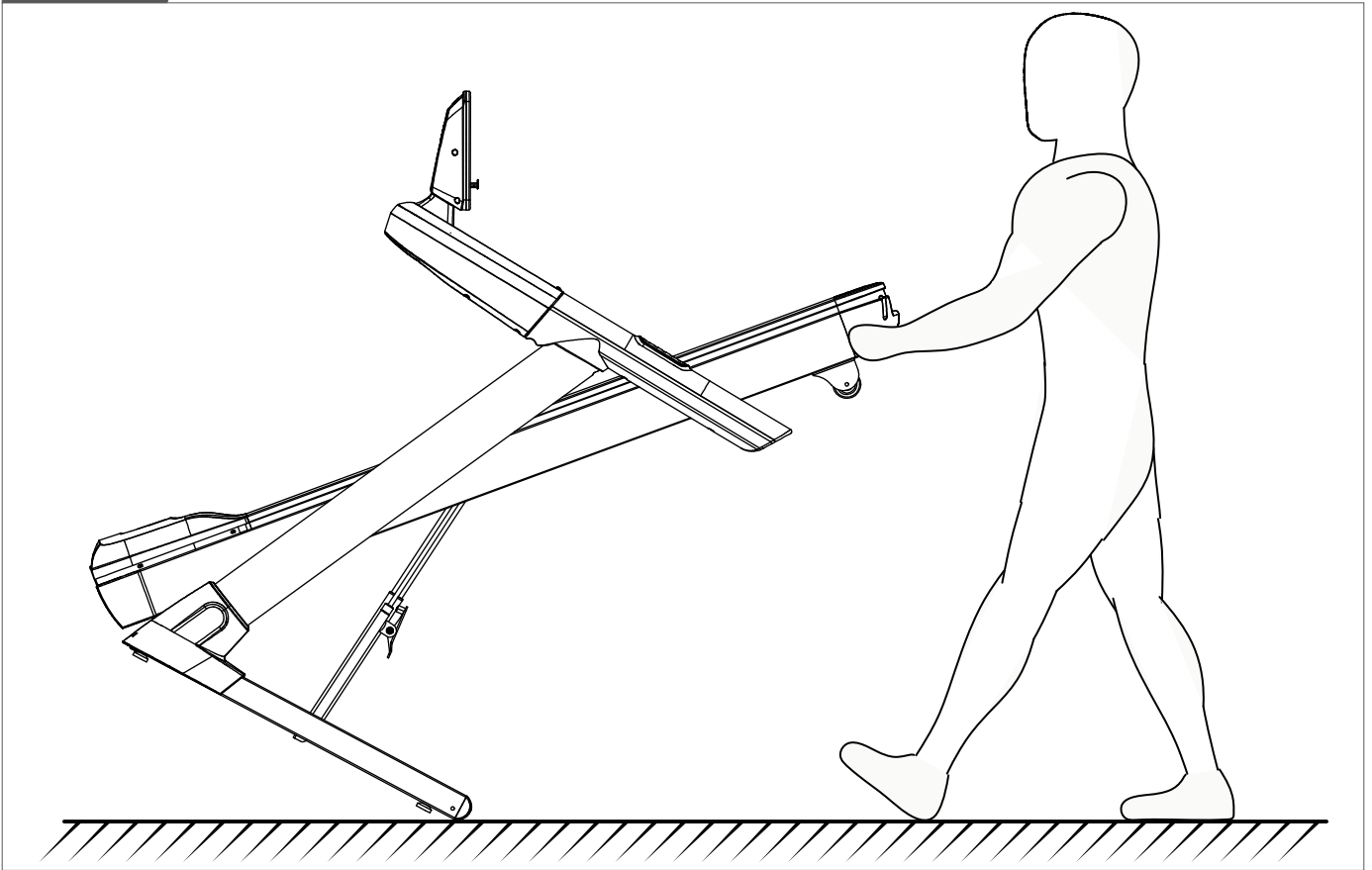


F-2

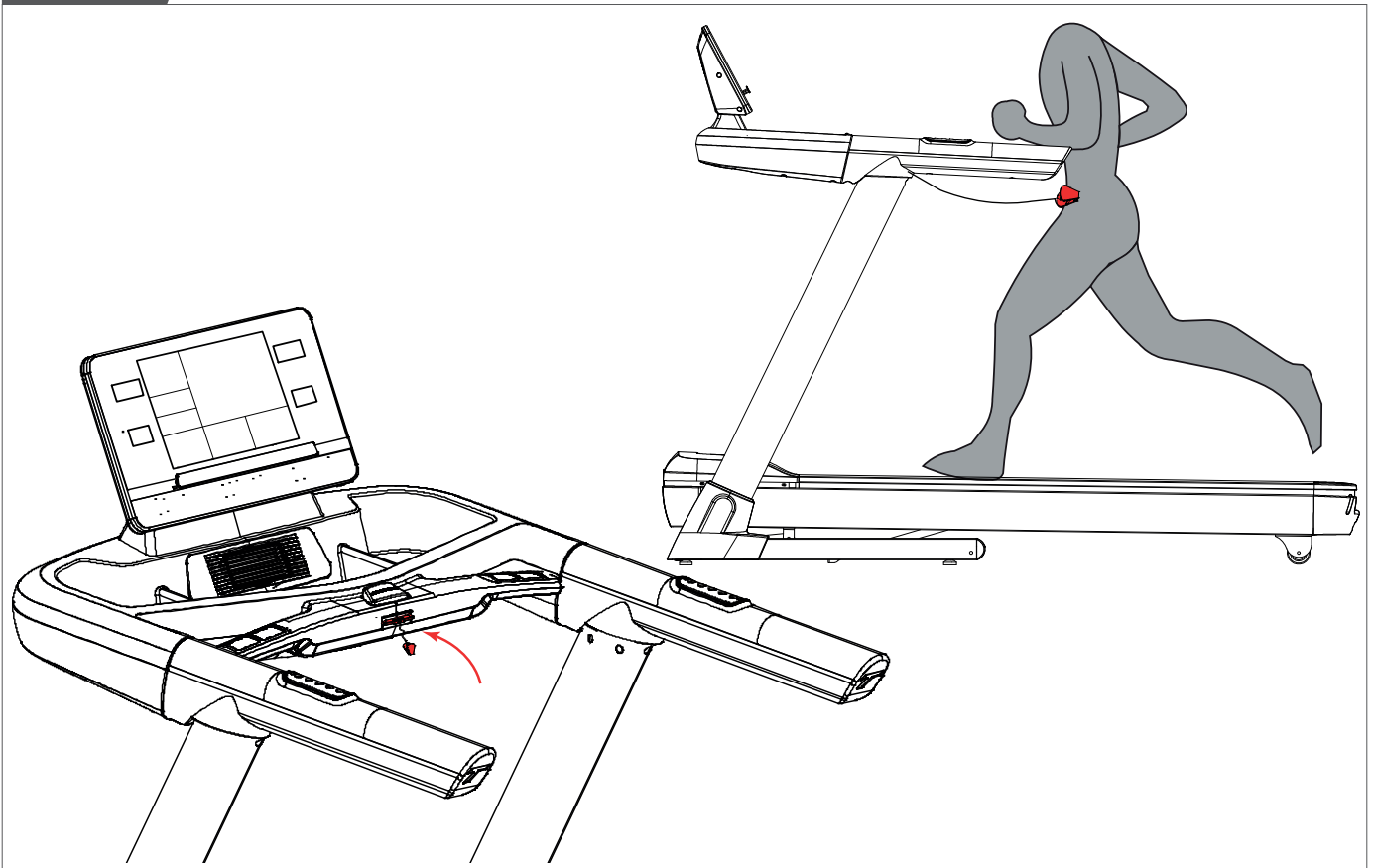




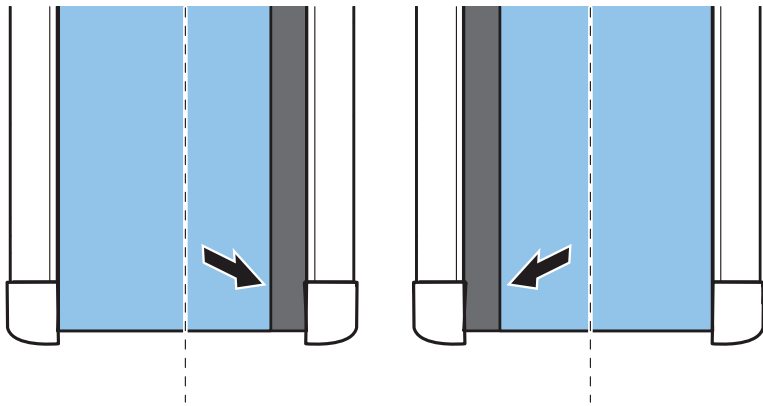
F-3



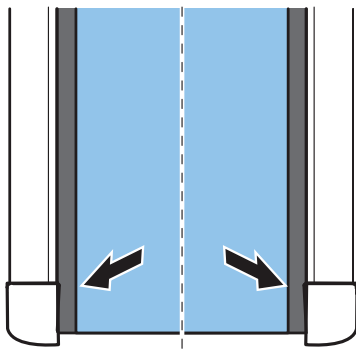
F-4



F-5

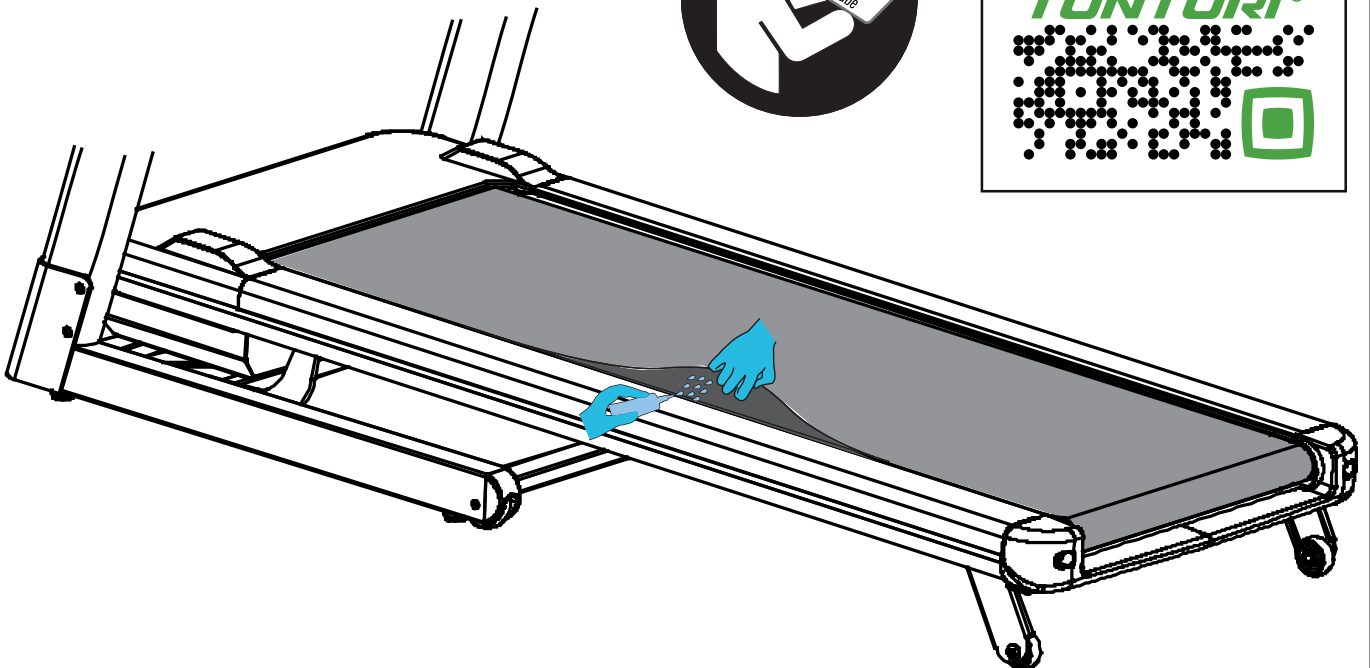


Scan to see  YouTube tutorial



F-6

Scan to see  YouTube tutorial





Signature T90 Treadmill

G

Step		1	2	3	4	5	6	7	8	9	10	11	12	13	14	15	16
P1	KM/H	1.0	3.0	3.0	7.0	7.0	5.0	5.0	5.0	7.0	7.0	5.0	5.0	5.0	5.0	3.0	2.0
	INCL.	2	2	6	6	8	8	6	6	4	4	4	6	6	2	2	2
P2	KM/H	2.0	3.0	3.0	6.0	5.0	5.0	8.0	5.0	5.0	6.0	8.0	8.0	8.0	5.0	4.0	3.0
	INCL.	3	3	9	9	9	2	2	8	8	4	1	1	4	4	4	4
P3	KM/H	2.0	3.0	5.0	5.0	7.0	7.0	8.0	5.0	5.0	6.0	8.0	8.0	8.0	5.0	4.0	3.0
	INCL.	1	2	3	4	5	5	7	7	4	4	4	4	6	3	2	2
P4	KM/H	2.0	2.0	3.0	5.0	5.0	5.0	8.0	8.0	8.0	8.0	5.0	5.0	5.0	3.0	3.0	2.0
	INCL.	3	3	6	6	6	9	9	9	9	9	9	6	6	6	2	2
P5	KM/H	3.0	4.0	5.0	6.0	7.0	8.0	9.0	10.0	10.0	10.0	9.0	8.0	7.0	5.0	4.0	3.0
	INCL.	2	2	4	4	8	8	6	6	6	6	8	7	6	5	1	1
P6	KM/H	3.0	4.0	5.0	5.0	6.0	6.0	7.0	7.0	7.0	9.0	9.0	10.0	10.0	11.0	5.0	3.0
	INCL.	1	8	8	8	8	8	7	7	7	7	7	5	5	3	3	1
P7	KM/H	3.0	4.0	9.0	4.0	11.0	4.0	10.0	4.0	9.0	4.0	8.0	4.0	11.0	5.0	3.0	2.0
	INCL.	1	1	4	4	4	6	6	6	8	8	8	10	10	10	6	2
P8	KM/H	3.0	5.0	8.0	3.0	5.0	7.0	9.0	3.0	5.0	7.0	10.0	3.0	5.0	7.0	11.0	5.0
	INCL.	3	3	8	8	3	3	7	7	3	3	6	6	3	3	5	5
P9	KM/H	3.0	7.0	9.0	4.0	7.0	10.0	4.0	7.0	11.0	5.0	7.0	12.0	4.0	7.0	12.0	6.0
	INCL.	3	6	6	3	7	7	3	8	8	3	9	9	3	3	7	7
P10	KM/H	3.0	5.0	6.0	6.0	6.0	9.0	10.0	6.0	6.0	9.0	10.0	6.0	6.0	6.0	11.0	3.0
	INCL.	2	7	7	7	5	5	5	8	8	8	8	8	8	4	4	4
P11	KM/H	4.0	5.0	7.0	9.0	10.0	11.0	9.0	6.0	8.0	9.0	10.0	10.0	11.0	9.0	6.0	5.0
	INCL.	1	6	6	6	3	3	3	7	7	4	4	4	4	6	6	6
P12	KM/H	4.0	6.0	10.0	10.0	7.0	10.0	10.0	10.0	7.0	7.0	10.0	10.0	10.0	10.0	6.0	5.0
	INCL.	3	8	8	6	9	9	5	5	8	8	8	4	4	4	4	4
P13	KM/H	4.0	12.0	4.0	12.0	4.0	12.0	4.0	12.0	4.0	12.0	4.0	12.0	4.0	12.0	4.0	12.0
	INCL.	4	8	10	12	4	8	10	12	4	8	10	12	4	8	10	12
P14	KM/H	2.0	3.0	3.0	6.0	9.0	11.0	3.0	6.0	9.0	11.0	3.0	6.0	9.0	11.0	3.0	6.0
	INCL.	5	9	11	12	5	9	11	12	5	9	11	12	5	9	11	12
P15	KM/H	4.0	6.0	11.0	11.0	9.0	6.0	11.0	11.0	9.0	6.0	11.0	11.0	9.0	6.0	11.0	11.0
	INCL.	2	3	4	5	6	8	7	8	8	7	7	6	5	4	3	2
P16	KM/H	2.0	4.0	4.0	12.0	4.0	12.0	4.0	12.0	4.0	12.0	4.0	12.0	4.0	12.0	4.0	12.0
	INCL.	2	4	5	6	2	4	5	6	2	4	5	6	2	4	5	6
P17	KM/H	2.0	2.0	2.0	4.0	6.0	6.0	9.0	11.0	11.0	2.0	4.0	6.0	6.0	11.0	11.0	9.0
	INCL.	2	4	6	8	10	12	12	12	12	12	12	10	8	6	4	2
P18	KM/H	3.0	6.0	3.0	6.0	6.0	3.0	6.0	6.0	3.0	6.0	6.0	3.0	6.0	6.0	3.0	6.0
	INCL.	2	6	8	2	6	8	2	6	8	2	6	8	2	6	8	2
P19	KM/H	4.0	12.0	4.0	12.0	4.0	12.0	4.0	12.0	4.0	12.0	4.0	12.0	4.0	12.0	4.0	12.0
	INCL.	10	8	6	4	10	8	6	4	10	8	6	4	10	8	6	4

G

P20	KM/H	5.0	13.0	5.0	13.0	5.0	13.0	5.0	13.0	5.0	13.0	5.0	13.0	5.0	13.0	5.0	13.0
	INCL.	12	8	2	12	8	2	12	8	2	12	8	2	12	8	2	12
P21	KM/H	2.0	6.0	2.0	6.0	11.0	2.0	6.0	11.0	2.0	6.0	11.0	2.0	6.0	11.0	2.0	6.0
	INCL.	12	9	3	12	9	3	12	9	3	12	9	3	12	9	3	12
P22	KM/H	4.0	6.0	11.0	6.0	2.0	11.0	6.0	2.0	11.0	6.0	2.0	11.0	6.0	2.0	11.0	6.0
	INCL.	2	4	10	2	4	10	2	6	12	6	8	12	6	8	12	2
P23	KM/H	4.0	6.0	11.0	6.0	6.0	2.0	11.0	6.0	6.0	2.0	11.0	6.0	6.0	2.0	11.0	6.0
	INCL.	2	3	4	5	6	6	7	8	10	11	12	12	12	12	12	10
P24	KM/H	4.0	6.0	11.0	6.0	4.0	11.0	6.0	4.0	11.0	6.0	4.0	11.0	6.0	4.0	11.0	6.0
	INCL.	4	4	5	6	7	8	10	10	12	12	12	12	12	12	12	10
P25	KM/H	5.0	13.0	5.0	13.0	5.0	13.0	5.0	13.0	5.0	13.0	5.0	13.0	5.0	13.0	5.0	13.0
	INCL.	5	9	11	12	5	9	11	12	5	9	11	12	5	9	11	12
P26	KM/H	3.0	4.0	4.0	7.0	10.0	12.0	4.0	7.0	10.0	12.0	4.0	7.0	10.0	12.0	4.0	7.0
	INCL.	6	10	12	12	6	10	11	12	6	10	12	12	6	10	12	12
P27	KM/H	5.0	7.0	12.0	12.0	10.0	7.0	12.0	12.0	10.0	7.0	12.0	12.0	10.0	7.0	12.0	12.0
	INCL.	3	4	5	6	7	9	8	9	9	8	8	7	6	5	4	3
P28	KM/H	3.0	5.0	5.0	13.0	5.0	13.0	5.0	13.0	5.0	13.0	5.0	13.0	5.0	13.0	5.0	13.0
	INCL.	3	5	6	7	3	5	6	7	3	5	6	7	3	5	6	7
P29	KM/H	3.0	3.0	3.0	5.0	7.0	7.0	10.0	12.0	12.0	3.0	5.0	7.0	7.0	12.0	12.0	10.0
	INCL.	3	5	7	9	11	12	12	12	12	12	12	11	9	7	5	3
P30	KM/H	4.0	7.0	4.0	7.0	7.0	4.0	7.0	7.0	4.0	7.0	7.0	4.0	7.0	7.0	4.0	7.0
	INCL.	3	7	9	3	7	9	3	7	9	3	7	9	3	7	9	3
P31	KM/H	5.0	13.0	5.0	13.0	5.0	13.0	5.0	13.0	5.0	13.0	5.0	13.0	5.0	13.0	5.0	13.0
	INCL.	11	9	7	5	11	9	7	5	11	9	7	5	11	9	7	5
P32	KM/H	6.0	14.0	6.0	14.0	6.0	14.0	6.0	14.0	6.0	14.0	6.0	14.0	6.0	14.0	6.0	14.0
	INCL.	12	9	3	12	9	3	12	9	3	12	9	3	12	9	3	12
P33	KM/H	3.0	7.0	3.0	7.0	12.0	3.0	7.0	12.0	3.0	7.0	12.0	3.0	7.0	12.0	3.0	7.0
	INCL.	12	10	4	12	10	4	12	10	4	12	10	4	12	10	4	12
P34	KM/H	5.0	7.0	12.0	7.0	3.0	12.0	7.0	3.0	12.0	7.0	3.0	12.0	7.0	3.0	12.0	7.0
	INCL.	3	5	11	3	5	11	3	7	12	7	9	12	7	9	12	3
P35	KM/H	5.0	7.0	12.0	7.0	7.0	3.0	12.0	7.0	7.0	3.0	12.0	7.0	7.0	3.0	12.0	7.0
	INCL.	3	4	5	6	7	7	8	9	11	12	12	12	12	12	12	11
P36	KM/H	5.0	7.0	12.0	7.0	5.0	12.0	7.0	5.0	12.0	7.0	5.0	12.0	7.0	5.0	12.0	7.0
	INCL.	5	5	6	7	8	9	11	11	12	12	12	12	12	12	12	11



Signature T90 Treadmill

H



J



- 1= Step up height ± 20,5 cm
- 2= Arm rest height ± 94,5 cm
- 3= Inner width of armrests ± 78,0 cm
- 4= Width of running surface ± 55,0 cm
- 5= Length of running surface ± 153,0 cm

- W = Treadmill Width 92.1 cm
- L = Treadmill Length 192.4 cm
- H = Treadmill Height 149,1 cm

Index

Welcome	18
Safety warnings	18
Electrical safety	19
Assembly instructions	19
Description illustration A	19
Description illustration B	19
Description illustration C	19
Description illustration D	19
Accessories (fig. H)	19
Additional assembly information	20
Additional environmental information	20
Workouts	20
Exercise Instructions	20
Heart rate	20
Use	21
Adjusting the support feet	22
Console (fig. E-1)	22
Buttons	22
Explanation of display items	22
Explanation of displays acoustic beep	23
Programs	23
Quick start	23
Target countdown mode (P0)	23
End your workout	23
Pre-set Programs (P1~P36)	23
User programs (U01~U03)	23
Body Fat	24
HRC Program	24
ERP Function	25
Metric/ Imperial setting	25
Bluetooth & APP	25
Cleaning and maintenance	25
General Cleaning	25
Belt and Running Deck	25
Lubrication (fig. F-6)	25
Belt adjustments	26
Troubleshooting	27
Error codes	27
Oil	27
E5	27
E7	27
Transport and storage	27
Warranty	27
Technical data	28
Declaration of the manufacturer	28
Disclaimer	28

Welcome

Welcome to the world of Tunturi!

Thank you for purchasing this piece of Tunturi equipment.

Tunturi offers a wide range of home fitness equipment, including crosstrainers, treadmills, exercise bikes, rowers, strength benches and multi stations. The Tunturi equipment is suitable for the entire family, no matter what fitness level. For more information, please visit our website www.tunturi.com

Important Safety Instructions

This Owner's Manual is an essential part of your training equipment: reading all instructions in this manual before you start using this appliance. The following precautions must always be followed:

Safety warnings

⚠ WARNING

- Read the safety warnings and the instructions. Failure to follow the safety warnings and the instructions can cause personal injury or damage to the equipment. Keep the safety warnings and the instructions for future reference.

⚠ WARNING

- Heart rate monitoring systems may be inaccurate. Over exercise may result in serious injury or death. If you feel faint stop exercising immediately.

- The equipment is suitable for domestic and professional use only (e.g. hospitals, fire stations, hotels, schools etc.).
- This appliance can be used by children aged from 8 years and above and persons with reduced physical, sensory or mental capabilities or lack of experience and knowledge if they have been given supervision or instruction concerning use of the appliance in a safe way and understand the hazards involved.
- Children should be supervised to ensure that they do not play with the appliance.
- Before starting your workout, consult a physician to check your health.
- If you experience nausea, dizziness or other abnormal symptoms, immediately stop your workout and consult a physician.
- To avoid muscular pain and strain, start each workout by warming up and finish each workout by cooling down. Remember to stretch at the end of the workout.
- The equipment is suitable for indoor use only. The equipment is not suitable for outdoor use.
- Only use the equipment in environments with adequate ventilation. Do not use the equipment in draughty environments in order not to catch a cold.
- Only use the equipment in environments with ambient temperatures between 10 °C~35 °C. Only store the equipment in environments with ambient temperatures between 5 °C~45 °C.
- Do not use or store the equipment in humid surroundings. The air humidity must never be more than 80%.
- Only use the equipment for its intended purpose. Do not use the equipment for other purposes than described in the manual.
- Do not use the equipment if any part is damaged or defective. If a part is damaged or defective, contact your dealer.
- Keep your hands, feet and other body parts away from the moving parts.
- Keep your hair away from the moving parts.
- Wear appropriate clothing and shoes.
- Keep clothing, jewellery and other objects away from the moving parts.

- Make sure that only one person uses the equipment at a time. The equipment must not be used by persons weighing more than 150 kg (330 lbs).
- Do not open equipment without consulting your dealer.

Electrical safety

(Only for equipment with electric power)

- Before use, always check that the mains voltage is the same as the voltage on the rating plate of the equipment.
- Do not use an extension cable.
- Keep the mains cable away from heat, oil and sharp edges.
- Do not alter or modify the mains cable or the mains plug.
- Do not use the equipment if the mains cable or the mains plug is damaged or defective. If the mains cable or the mains plug is damaged or defective, contact your dealer.
- Always fully unwind the mains cable.
- Do not run the mains cable underneath the equipment. Do not run the mains cable underneath a carpet. Do not place any objects on the mains cable.
- Make sure that the mains cable does not hang over the edge of a table.
- Make sure that the mains cable cannot be caught accidentally or tripped over.
- Do not leave the equipment unattended when the mains plug is inserted into the wall socket.
- Do not pull the mains cable to remove the mains plug from the wall socket.
- Remove the mains plug from the wall socket when the equipment is not in use, before assembly or disassembly and before cleaning and maintenance.

⚠ CAUTION

- If voltage varies by ten percent (10%) or more, the performance of your treadmill may be affected. Such conditions are not covered under your warranty. If you suspect the voltage is low, contact your local power company or a licensed electrician for proper testing.

⚠ CAUTION

- Route the power mains cord away from any moving part of the treadmill including the elevation mechanism and transport wheels.

⚠ WARNING

- Never use water or any other liquid directly on or near the equipment, but only via a damp cloth if moist is required to clean the machine.
- Using liquid directly is harmful for the equipment's components, and may result in an electric shock caused by a short cut circuit. This could result in serious personal injury or even death.
- The appliance is only to be used with the power cord provided with the appliance.

Grounding Instructions

This product must be grounded. If the treadmill's electrical system should malfunction or breakdown grounding provides a path of least resistance for electric current, reducing the risk of electric shock. This product is equipped with a cord having an equipment-grounding plug. The plug must be plugged into an appropriate outlet that is properly installed and grounded in accordance with all local codes and ordinances.

⚠ WARNING

- Improper connection of the equipment-grounding conductor can result in a risk of electric shock. Check with a qualified electrician or serviceman if you are in doubt as to whether the product is properly grounded. Do not modify the plug provided with the product if it will not fit the outlet; have a proper outlet installed by a qualified electrician.

Assembly instructions

Description illustration A

The illustration shows what the trainer will look like after the assembly is completed.

You can use this as a reference during your assembly, but do follow the assembly steps always in the correct sequence as showed in the illustrations.

Description illustration B

The illustration shows what components and parts you should find when un-boxing your product.

!! NOTE

- Small parts can be hidden/ packed in hollow spaces in the Styrofoam product protection
- If a part is missing, contact your dealer.

Description illustration C

The illustration shows the hardware kit that comes with your product. The hardware kit contains bolts, washers, screws, nuts etc. and the required tools to properly fit your trainer.

Description illustration D

The illustrations shows you in the correct following order how to assemble your trainer best.

⚠ WARNING

- Assemble the equipment in the given order.
- Carry and move the equipment with at least two persons.

⚠ CAUTION

- Place the equipment on a firm, level surface.
- Place the equipment on a protective base to prevent damage to the floor surface.
- Allow at least 100 cm of clearance around the equipment.
- Refer to the illustrations for the correct assembly of the equipment.

!! NOTE

- Save the tools provided with this product, after you completed the product assembly, for future service purposes.

Accessories (fig. H)

!! NOTE

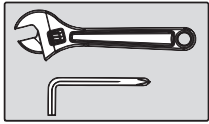
- The shown illustration shows how the trainer will look with the suitable extended handrails.
- The additional extended handrails can be purchased as an accessory.
- Article nr: 22TRNRH000

Contact your dealer for further information.

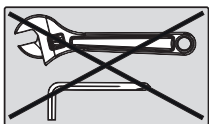
Additional assembly information

Fasten Nuts and Bolts

To prevent mounted frame parts from not being correctly aligned, it is advisable to complete the first subsequent steps before fully tightening nuts and bolts. This provides space to reposition previously mounted parts, allowing the overall assembly to proceed more smoothly. Therefore it is advisable to follow up on the below instructions.



Securely tighten all nuts and bolts after all components have been assembled in current and previous steps.



Do not fully tighten all nuts and bolts used in this step. Hand tight is enough.

Additional environmental information

Packaging disposal

Government guidelines ask that we reduce the amount of waste material disposed of in land fill sites. We therefore ask that you dispose of all packaging waste responsibly at public recycling centres.

End of life disposal

We at Tunturi hope you enjoy many years of enjoyable use from your fitness trainer. However, a Time will come when your fitness trainer will come to the end of its useful life. Under 'European WEEE Legislation you are responsible for the appropriate disposal of your fitness trainer to a recognised public collection facility.

Workouts

The workout must be suitably light, but of long duration. Aerobic exercise is based on improving the body's maximum oxygen uptake, which in turn improves endurance and fitness. You should perspire, but you should not get out of breath during the workout.

To reach and maintain a basic fitness level, exercise at least three times a week, 30 minutes at a time. Increase the number of exercise sessions to improve your fitness level. It is worthwhile to combine regular exercise with a healthy diet. A person committed to dieting should exercise daily, at first 30 minutes or less at a time, gradually increasing the daily workout time to one hour. Start your workout at low speed and low resistance to prevent the cardiovascular system from being subjected to excessive strain.

As the fitness level improves, speed and resistance can be increased gradually. The efficiency of your exercise can be measured by monitoring your heart rate and your pulse rate.

Exercise Instructions

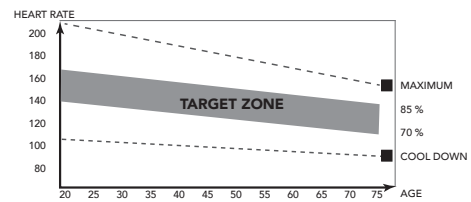
Using your fitness trainer will provide you with several benefits, it will improve your physical fitness, tone muscle and in conjunction with a calorie controlled diet help you lose weight.

The warming up phase

This stage helps get the blood flowing around the body and the muscles working properly. It will also reduce the risk of cramp and muscle injury. It is advisable to do a few stretching exercises as shown below. Each stretch should be held for approximately 30 seconds, do not force or jerk your muscles into a stretch - if it hurts, STOP

The exercise phase

This is the stage where you put the effort in. After regular use, the muscles in your legs will become more flexible. Work to your but it is very important to maintain a steady tempo throughout. The rate of work should be sufficient to raise your heart beat into the target zone shown on the graph below.



This stage should last for a minimum of 12 minutes though most people start at about 15-20 minutes

The cool down phase

This stage is to let your Cardiovascular System and muscles wind down. This is a repeat of the warm up exercise e.g. reduce your tempo, continue for approximately 5 minutes. The stretching exercises should now be repeated, again remembering not to force or jerk your muscles into the stretch.

As you get fitter you may need to train longer and harder. It is advisable to train at least three times a week, and if possible space your workouts evenly throughout the week.

Muscle toning

To tone muscle while on your fitness trainer you will need to have the resistance set quite high. This will put more strain on our leg muscles and may mean you cannot train for as long as you would like. If you are also trying to improve your fitness you need to alter your training program. You should train as normal during the warm up and cool down phases, but towards the end of the exercise phase you should increase resistance making your legs work harder. You will have to reduce your speed to keep your heart rate in the target zone.

Weight loss

The important factor here is the amount of effort you put in. The harder and longer you work the more calories you will burn. Effectively this is the same as if you were training to improve your fitness, the difference is the goal.

Heart rate

Pulse rate measurement (hand pulse sensors)

The pulse rate is measured by sensors in the handlebars when the user is touching both sensors at the same time. Accurate pulse measurement requires that the skin is slightly moist and constantly touching the hand pulse sensors. If the skin is too dry or too moist, the pulse rate measurement will become less accurate.

!! NOTE

- Do not use the hand pulse sensors in combination with a heart rate chest belt.
- If you set a heart rate limit for your workout, an alarm will sound when it is exceeded.

Heart rate measurement (heart rate chest belt)

!! NOTE

- A chest strap does not come standard with this trainer. When you like to use a wireless chest strap you need to purchase this as an accessory.

The most accurate heart rate measurement is achieved with a heart rate chest belt. The heart rate is measured by a heart rate receiver in combination with a heart rate transmitter belt. Accurate heart

measurement requires that the electrodes on the transmitter belt are slight moist and constantly touching the skin. If the electrodes are too dry or too moist, the heart rate measurement will become less accurate.

WARNING

- If you have a pacemaker, consult a physician before using a heart rate chest belt.

CAUTION

- If there are several heart rate measurement devices next to each other, make sure that the distance between them is at least 1.5 metres.
- If there is only one heart rate receiver and several heart rate transmitters, make sure that only one person with a transmitter is within transmission range.

NOTE

- Do not use a heart rate chest belt in combination with the handpulse sensors.
- Always wear the heart rate chest belt under your clothes directly in contact with your skin. Do not wear the heart rate chest belt above your clothes. If you wear the heart rate chest belt above your clothes, there will be no signal.
- If you set a heart rate limit for your workout, an alarm will sound when it is exceeded.
- The transmitter transmits the heart rate to the console up to a distance of 1 metre. If the electrodes are not moist, the heart rate will not appear on the display.
- Some fibers in clothes (e.g. polyester, polyamide) create static electricity which can prevent accurate heart rate measurement.
- Mobile phones, televisions and other electrical appliances create an electromagnetic field which can prevent accurate heart rate measurement.

Maximum heart rate (during training)

The maximum heart rate is the highest heart rate a person can safely achieve through exercise stress. The following formula is used to calculate the average maximum heart rate: $220 - AGE$. The maximum heart rate varies from person to person.

WARNING

- Make sure that you do not exceed your maximum heart rate during your workout. If you belong to a risk group, consult a physician.

Beginner

50-60% of maximum heart rate

Suitable for beginners, weight-watchers, convalescents and persons who have not exercised for a long time. Exercise at least three times a week, 30 minutes at a time.

Advanced

60-70% of maximum heart rate

Suitable for persons who want to improve and maintain fitness. Exercise at least three times a week, 30 minutes at a time.

Expert

70-80% of maximum heart rate

Suitable for the fittest of persons who are used to long-endurance workouts.

Use

Master power switch (fig. E-2A)

The equipment is equipped with a master power switch to shut down the equipment completely.

To start the equipment:

- Insert the mains plug into the equipment.
- Insert the mains plug into the wall socket.
- Set the master power switch to the on position.

To stop the equipment:

- Set the mains power switch to the off position.
- Remove the mains plug from the wall socket.
- Remove the mains plug from the equipment.

Safety key (Fig F-4)

The equipment is equipped with a safety key that must be properly inserted into the console to start the equipment. If your safety key is pulled out partly it will activate the emergency mode and will have the equipment stop immediately.

- Insert the safety key into the slot in the console by pressing it inwards.
- Make sure that the clip of the safety key is properly attached to your clothing. Make sure the clip attached to your clothing is attached firm enough so it can pull out the safety key when needed.

NOTE

- The safety key cannot be removed from the unit, as it is a fixed structure.

NOTE

- Console will show E7 code when safety key is not in (correct) position during start up.

Circuit breaker (Fig. E-2B)

The equipment is equipped with a circuit breaker that interrupts the circuit when the electricity load is above the maximum capacity. When this occurs, the circuit breaker must be pressed.

WARNING

- Before pressing the circuit breaker, remove the mains plug from the equipment.

If the equipment shuts down, proceed as follows to restart the equipment:

- Remove the mains plug from the equipment.
- Press the circuit breaker to restart the equipment.
- Insert the mains plug into the equipment.

NOTE

- Some circuit breakers used in homes are not rated for high inrush currents that can occur when a treadmill is first turned on or even during normal use. If your treadmill is tripping the circuit breaker (even though it is the proper current rating and the treadmill is the only appliance on the circuit) but the circuit breaker on the treadmill itself does not trip, you will need to replace the breaker with a high inrush type. This is not a warranty defect. This is a condition we as a manufacture have no ability to control.

Unfolding and folding the equipment (fig. F1-F2)

The equipment can be unfolded for use (fig. F1) and folded for transport and storage (fig. F2).

Refer to the illustrations for the correct way of unfolding and folding the equipment.

⚠ CAUTION

- Before folding the equipment, make sure that the incline is 0. If the incline is not 0, folding will damage the mechanism.

Adjusting the support feet

The equipment is equipped with adjustable support feet.

If the equipment feels unstable, wobbly, or not levelled well, these support feet can be adjusted to make the required corrections.

- Turn the support feet in/ out as required to put the equipment in a stable and as well possible levelled position.
- Tighten the locknut's* to lock the support feet.

💡 QUICK TIP

- It is easier to do this with two persons, so one person can tilt the equipment, while the other makes the needed adjustment.



Click to see our supportive YouTube video
https://youtu.be/E_7agKqaUlc

!! NOTE

- The equipment is most stable when it is as low to the floor as possible. Therefore, start to level the equipment by turning all support feet fully in, before turning out the required support feet to stabilize and level the equipment.

Console (fig. E-1)



⚠ CAUTION

- Keep the console away from direct sunlight.
- Dry the surface of the console when it is covered with drops of sweat.
- Do not lean on the console.
- Only touch the display with the tip of your finger. Make sure that your nails or sharp objects do not touch the display.

!! NOTE

- The console switches to standby mode when the equipment is not used for 4 minutes.

Buttons

Stop/ Reset

- Press once, stop workout/ treadmill gently.
- Press twice, stop workout/ treadmill more rapidly.
- Reset console when press and hold for 2 seconds in "stop mode"

Start/ Pause

- Start selected workout, or restart pause workout when being in pause mode.
- Pause active workout.

Prog

- Press to Cycle through the possible programmes.
(P0/ P1~P36/ U01~U03/ HRC1~HRC3/ FAT)

Mode

- Cycle between target setting parameters in programming mode.
- Reset time target when setting time goal for "P1~P36" programs.
- Press to freeze the displayed multi display scanning LED displays when in exercise mode.
- Press again to unfreeze and activate scanning mode again.

Speed +

- Increases the speed (0.8 ~ 24.0 km/h).
- Pressing once increases the speed 0.1 km/h.
- Pressing and holding for two seconds will increase the speed faster.
- Scroll programs and change values in programming mode.

Speed -

- Decreases the speed (0.8 ~ 24.0 km/h).
- Pressing once decreases the speed 0.1 km/h.
- Pressing and holding for two seconds will decrease the speed faster.
- Scroll programs and change values in programming mode.

Speed hot keys:

Speed Hot Keys are set as 6, 9, 12.

For example, the speed changes from any speed to 9 km/h by pressing the Speed Hot Key 9.

Handle bar speed quick-access keys:

- + Same as Speed +.
- - Same as Speed -.

Incline +

- Increases the incline (0 ~ 15 +1).
- Scroll programs and change values in programming mode.

Incline -

- Decreases the incline (0 ~ 15 -1)
- Scroll programs and change values in programming mode.

Incline hot keys.

Incline Hot Keys are set as 0, 5, 10.

For example, the incline level changes from any level to 5 by pressing the Incline Hot Key 5.

Handle bar incline quick-access keys:

- + : Same as Incline +.
- - : Same as Incline -.

Explanation of display items

Speed

- Shows the actual treadmill speed in workout mode.
- Shows target speed in programming mode.
- Shows program selection when being in program mode.

Incline

- Shows the actual treadmill incline in workout mode.
- Shows target incline in programming mode.

Distance

- Shows the ran distance workout mode.
- Shows left distance when workout in countdown mode.
- Shows the target distance when being in programming mode.

Time

- Shows the ran time in workout mode.
- Shows left time when workout in countdown mode.
- Shows the target time when being in programming mode.

Steps

Console displays the number of steps you have made during your workout.

!! NOTE

- For a stable built-in pedometer function it requires a user weight of at least 40 kg, and a minimal set speed of 3 Km/h.
- If body weight and/ or set speed is lower the function can be less stable.

Heart

- Shows the pulse rate in workout mode, or "P" when no pulse is measured.

Calories

- Shows the consumed K .calories in workout mode.
- Shows left K. calories when workout in countdown mode.
- Shows the target K. calories when being in programming mode.

!! NOTE

- This data is a rough guide for comparison of different exercise sessions which cannot be used in medical treatment.

Scan

- Display for "Time/ Step", "Heart/ Incline" & "Calories/ Distance" scans every 5 seconds.
- To freeze your preferred display press Mode, press mode again to unfreeze and activate Scan mode again.

Explanation of displays acoustic beep

The console is designed to notify the user with an acoustic beep. This is to make the user aware of the change for safer workout.

The console will notify the user when:

- When you reach a goal that has been pre-set.
- To announce a speed or incline change because or the selected program.

USB function

The user can connect their device to charge during workout.
Voltage/ Current: 5VDC/ 1.0 Amp

Programs**Quick start**

- Press "Start/ Pause" button to start your workout without any pre-set settings.
- Treadmill will start at minimum speed of 1,0 Km/h, and maintains the current set incline setting.
- Adjust Speed / Incline manually at any time to change your workout, and stop/ pause at anytime.

Target countdown mode (P0)

Machine should be in start up mode to access the Target Countdown mode.

Press and hold "Stop/ Reset" button for 2 seconds to set treadmill in start up mode.

- Press "Mode" button to select target countdown mode:
 - Training mode 1: Time target.
Use "Speed + & -" keys to adjust value, confirm by press Mode button.
Default 30:00 min. Range 5:00~95:00 ± 1:00.
 - Training mode 2: Distance target.
Use "Speed + & -" keys to adjust value, confirm by press Mode button.
Default 1.00 km. Range 1.00~99.00 ± 1.0.
 - Training mode 3: Calories countdown.
Use "Speed + & -" keys to adjust value.
Default 50. Range 20~9990 ± 10.
- Press "Start/ Pause" button to start your workout directly when setting your desired target.

!! NOTE

- When set a target, the treadmill will stop automatically when pre-set target is reached.
- It is only possible to set one target.

End your workout

- Pause your workout at any time by press "Start/ Pause" button once.
Display will show "PAUS" when being in pause mode. Max pause time is 4.30 min.
- Press "Start/ Pause" button to resume training when being in "PAUS" mode.
- Press "STOP" once button to stop workout.
- Press "STOP" twice to reset console.

Pre-set Programs (P1~P36)

The equipment has 36 pre-set programs with different profiles. (Table fig. G.)

- Press "Prog" buttons to select "P1~P36" program.
- Set your desired workout time
Use "Speed + & -" keys to adjust value.
Default 30:00 min. Range 5:00~95:00 ± 1:00.
- Press "Start/ Pause" button to start your workout.

!! NOTE

- The speed and incline are controlled based on the selected program.
- An acoustic beep will notify the user that there will a speed and/ or incline adjustment within a few seconds.
- The duration of each segment is 1/16th of the set workout time.
- Speed and incline can be changed at all times, but will only affect the active profile segment. The program will follow the profile again when changes to the next profile segment.

User programs (U01~U03)

The equipment has 3 user programs.

Each user program can be adjusted to personal requirements. Each user program has 16 steps. The speed and the incline can be set for each step. Each steps takes 1/16th of the total amount of time.

- Press "Prog" buttons to select "U-1~U-3" program.
- Set your desired workout time

Use "Speed + & -" keys to adjust value. Default 30:00 min.
Range 5:00~95:00 ± 1:00.

- Press "Start/ Pause" button to start your workout.

Profile programming mode.

- Press "Prog" button and select U-1/ U-2 or U-3.
- Press "Mode" button to open programming mode for the selected User program.
- Profile programming menu will open in where you can set the values for speed and incline the first out of 16 segments.
- You set your values by:
 - Use "Speed + & -" Keys to set your desired speed setting.
 - Use "Incline + & -" Keys to set your desired incline setting.
 - Confirm by pressing "Mode" button.
- Programming mode for program profile segment 2 opens.
- The programming for the remaining 15 segments need to be done in the same manner until all 16 segments are set.
- When confirming the 16th segment, the time window will blink to set the desired training time.
- You set your desired workout time by:
 - Use "Speed + & -" keys to set your desired workout time.
 - Default setting: 30:00 min. / Setting range: 5:00~99:00 ± 1:00.
- Press the "Start/ Pause" button to start the program.

!! NOTE

- Programmed user program will be saved automatically so they can be used next time.

Body Fat

The Body Fat program is to indicate your fiscal state based on your body parameters and heart rate.

- Press "Mode" button to open programming mode.
- Press "Prog" buttons to select "8-1" program, press "Mode" button to confirm.
- The display shows "F1" (SEX) .
The display shows "1"
Press "Speed + & -" buttons to select:
1: Male/ 2: Female press "Mode" button to confirm.
- The display shows "F2" (Age) .
The display shows "25"
Press "Speed + & -" buttons to select:1~99
press "Mode" button to confirm.
- The display shows "F3" (Height) .
The display shows "170"cm
Press "Speed + & -" buttons to select:100~220 cm
press "Mode" button to confirm.
- The display shows "F4" (Weight) .
The display shows "70"kg
Press "Speed + & -" buttons to select: 20~150 kg
press "Mode" button to confirm.
- The display shows "F5" (Active)
Hold the hand grip pulse measurement pads to activate the "FAT" measurement.
In about 5~10 seconds the result will be shown. See "Result calculation".

⚠ CAUTION

- Holding the contact hand-grip heart rate measurement pads is required for this function.

Result calculation:

- BODY TYPE: (Body Fat ratio; 4 types)

Body fat percentage	0 ~17	Underweight
Body fat percentage	18 ~ 24	Standard
Body fat percentage	25 ~ 28	Overweight
Body fat percentage	29 ~ +	Obesity.

- BF = Body Fat (in ratio %)
- Error code "ER" will show if no heart rate was detected during the BF measurement process.
- Press "Stop/ Reset" button to leave Body Fat program.

HRC Program

The HRC program is a speed controlled program based on your heart rate. The speed will automatically increase when your heart rate is under target, and decrease when over target.

- Press "Prog" buttons to select "HRC"
HRC1: Pre-set maximum. Speed limit is 8 km/h.
HRC2: Pre-set maximum. Speed limit is 12 km/h.
HRC3: Pre-set maximum. Speed limit is 16.0 km/h.
Program.
- Set your age the display shows "25"
Press "Speed + & -" buttons to select:1~99
press "Mode" button to confirm.
- Target heartrate will be show, based on your set age. Target heart rate = (220-age) x0,6.
Press "Speed + & -" buttons to change target value 60~200) press "Mode" button to confirm.
- Set your workout time the display shows "30:00"
Press "Speed + & -" buttons to select: 5:00~99:00.
- Press the "Start/ Pause" button to start the program.

HRC operating function:

- HRC programs starts with a one minute warm up time. (speed will not auto adjust)
- The initial speed is 1.0 km/h, this can be adjust to a comfortable warm up speed manually.
- Console checks heart rate every 30 seconds and controls the speed as below.

Heart rate	parameter	speed adjust
29+ BPM	Under target	+ 2.0 Km/h
6~29 BPM	Under target	+ 1.0 Km/h
0~5 BPM	Under target	No adjust
0~5 BPM	Over target	No adjust
6~29 BPM	Over target	- 1.0 Km/h
29+ BPM	Over target	- 2.0 Km/h

!! NOTE

- Incline setting is not controlled in HRC program mode but can be controlled by user at any time to intensify or ease your workout.
- Speed can be changed by user at all times.
- When speed is over the pre set speed limit it will auto adjust to pre set speed setting automatically.
- If no heart rate is detected, the treadmill will stop workout.

⚠ CAUTION

- Heart rate measurement is required for this function.

ERP Function

ERP function can shut your treadmill in sleep mode automatically when being without operation for 4:30 minutes.

You can turn this function On and off by:

- When treadmill is in "start up mode" press and hold "Mode" button for 3 seconds to switch between On and Off mode.
 - Display shows "1111" indicates On mode. Machine will turn to sleep mode after 4:30 minutes being idle.
 - Display shows "2222" indicates Off mode. Machine will not turn into sleep mode after 4:30 minutes being idle.

CAUTION

- We recommend to set ERP function in On mode always.

Metric/ Imperial setting

When displayed speed is not matching your expectation the machine might be set in incorrect setting.

Metric: Min./ Max. speed/
0.8 Km/h/ 24.0 km/h.

Imperial: Min./ Max. speed/
0.5 MIs/h/ 15.0 MIs/h.

Switch units by:

In mode "ON":

- Press and hold "Prog" & "Speed -" button for 3 seconds. Console shows S-01 mode:
 - 0.6 When switched to Imperial mode.
 - 1.0 When switched to Metric mode.
- Press and hold "Mode" button for two seconds to switch setting. Press "Start/ Pause" button to confirm setting and go back to user mode again.\



Click to see our supportive YouTube video
<https://youtu.be/KOxi5obz-RQ>

Bluetooth & APP

- This console can connect with an APP on a smart device by Bluetooth (iOS & Android).
- Establish the Bluetooth connection only via the connection mode on the installed APP on your smart device.

!! NOTE

- Tunturi only provides the option to connect your fitness console throughout a bluetooth connection. Therefore Tunturi cannot be held responsible for damage, or malfunctioning of products other than Tunturi products.
- Check the website for extra information.

Cleaning and maintenance

WARNING

- Your trainer requires monthly maintenance, even when not being used.
 - Before cleaning and maintenance, remove the mains plug from the wall socket.
 - Do not use solvents to clean the equipment.
 - Cleaning and user maintenance shall not be made by children without supervision.
- Do not block the ventilation openings. Keep the ventilation openings clear from dust, dirt and other obstructions.
 - Clean the equipment with a soft, absorbent cloth after each use.

- Clean the visible parts of the equipment with a vacuum cleaner with a small suction nozzle
- Regularly check that all screws and nuts are tight.

CAUTION

- We recommend to use indoor shoes only on your treadmill. When you don't have these we do recommend to check the soles of your footwear before using them on your treadmill. The treadmill is not sustainable for dirt from outdoors.

General Cleaning

Dirt, dust, and pet hair can block air inlets and accumulate on the running belt. On a monthly basis: vacuum underneath your treadmill to prevent build-up.

UNPLUG POWER CORD BEFORE THIS TASK.

Belt Dust

This occurs during normal break-in or until the belt stabilizes. Wiping off excess dust with a damp cloth will minimize build-up.

Belt and Running Deck

Your treadmill uses a very high-efficient low-friction bed.

Performance is maximized when the running deck is kept clean and free from dust and dirt. Dirt and dust particles between running deck and running belt will damage your running deck surface affecting your performance and product lifetime.

How to clean running deck

Use a soft, dry, non-abrasive cloth to wipe the edge of the belt and the area between the belt edge and frame. try to reach under the running belt edges too, to remove the dirt build up on the edges too.

How to clean running belt surface

Firstly use a nylon scrub brush to remove the loose particles from the running belt surface. Than use wrung out damp cloth (no cleaners or abrasives) to gentle clean the top of the textured belt. Allow the belt to fully dry before using.

!! NOTE

- When your belt too dirty to clean with water only, you can use a mild soap, but never a lubricant solvent.
- Prevent that the solution comes between running deck and running belt at all times.

This should be done on a regular basis to extend belt and running deck life.

Lubrication (fig. F-6)

!! NOTE

- The Treadmill running belt is pre lubricated before fitting on your treadmill during the production of the unit. Therefore it is not needed to lubricate the running belt when taken into use for the first time.

The running belt must be checked for lubrication condition regularly. Therefore the treadmill comes with a 300 km reminder function. The "TIME WINDOW" will display "OIL" and will make an acoustic beeping sound every 10 seconds to remind you. Follow the below checking procedure and eliminate the "OIL" message and acoustic warning signal by pressing and hold the "STOP" button for at least 3 seconds during this warning signal.

⚠ WARNING


- Before lubrication, remove the mains plug from the wall socket.

⚠ CAUTION

- We recommend to check the running belt lubrication at least once every month, as more factors than time can be effective to the lubricant conditions.
 - Only lubricate the running belt if necessary. If you apply too much lubricant, the running belt will slip easily due to lack of friction.
- Stand steadily on the running belt.
- Take hold of the front handlebar and push the running belt with your feet so that it slides back and forth. The running belt must move smoothly and evenly without making sound.
- If the running belt does not move smoothly and evenly or if the running belt does not move at all, touch the underside of the running belt with your fingertips to check the lubrication:
- If you feel lubrication or your fingertips are shiny, there is sufficient lubrication on the running belt.
 - If you do not feel lubrication or your fingertips are dusty or rough, apply lubricant (± 10 ml.) in the middle of the running deck under the running belt and let the equipment operate at 5km/h for at least 5 minutes.
 - After lubrication, do not fold the equipment before having done a workout for 2 minutes with a speed of at least 5 km/h. This will cause the lubricant being fully absorbed by the running belt and being spread evenly.

!! NOTE

- When 5 km/h is too fast for you, do walk at your desired speed, but extend the duration to at least 5 minutes.

 Click to see our supportive YouTube video
<https://youtu.be/ceaOYnofY5k>

Belt adjustments

The performance of your treadmill is dependent on the frame running on a reasonably level surface. If the frame is not level, the front and back roller cannot run parallel, and constant belt adjustment may be necessary.

The treadmill is designed to keep the running belt reasonably centred while in use. It is normal for some belts to drift near one side while the belt is running with no one on it. After a few minutes of use, the running belt should have a tendency to centre itself. If, during use, the belt continues to move toward one side, adjustments are necessary.

EXCEPTION

During rehabilitation where the user is using one leg much stronger than the other, it might happen that the running belt drifts to one side. In these cases you should not adjust unless the running belt does not centre itself during normal condition usage.

Belt tension adjustment

Adjustment must be made from the rear roller. The adjustment bolts are located at the end of the step rails in the end caps.

- Tighten the rear roller bolts (clockwise) only enough to prevent slippage at the front roller. Turn both running belt tension adjustment bolts in increments of 1/4 turn each and inspect for proper tension by walking on the belt at a low speed, making sure the belt does not slip. Keep tensioning the bolts until the belt stops slipping.

- If you feel the belt is tight enough, but it still slips, the problem may be a loose Motor drive belt under the front cover.
- Do Not Over-tighten
Over tightening will cause belt damage and premature bearing failure.



Click to see our supportive YouTube video
https://youtu.be/pp4_4bL1MXo

Centre the running belt (fig. F-5)

Centre the running belt is needed when your running belt is not tracking in the centre of your running surface. This is noticed easily when the gap between side landing and running belt is significantly bigger on one side compared to the other side.
This can be caused by a few reasons, such as:

REASON 1

You do a workout using one leg more powerful in push off during your workout. This causes the belt being pushed aside, but will correct automatically when let the running belt run unloaded for a few minutes.

REASON 2

Your treadmill is not levelled horizontally, where gravity pulls the running belt slowly to the lowest end of the treadmill. This must be corrected by levelling the treadmill correctly. as this cannot be solved by any other adjustment.

REASON 3

The running belt is not centred correctly between the front and rear roller drum. This needs be corrected by adjusting the running belt tracking as described below.

To adjust the running belt's tracking use the Allen key being provided with your treadmill.

- Set your treadmill at a speed of ± 5 km/h, not running on it.
- When the running belt is tracking to the right side.
Turn the left-hand rear roller adjustment bold, located on the rear end in a socket in the rear roller cover, counter clockwise for 1/4 turn.
- When the running belt is tracking to the left side.
Turn the right-hand rear roller adjustment bold, located on the rear end in a socket in the rear roller cover, counter clockwise for 1/4 turn.
- Await ± 2 minutes to give the running belt the time to respond to the adjustment before repeating the adjustment steps if needed to get to the desired result.

!! NOTE

- Remember, a small adjustment can make a big difference, so make the adjustments with small steps at the time.



Click to see our supportive YouTube video
<https://youtu.be/qx5AvTv00J4>

The belt may require periodic tracking adjustment depending on use and walking/running characteristics. Some users will affect tracking differently. Expect to make adjustments as required to centre the tread-belt. Adjustments will become less of a maintenance concern as the belt is used. Proper belt tracking is an owner responsibility common with all treadmills.

!! NOTE

- Damage to the running belt because of incorrect running-belt adjustments is not covered by the products warranty.

Troubleshooting

Despite continuous quality control, defects and malfunctions caused by individual components may occur in the equipment. In most cases it's unnecessary to take the whole device in for repair, as it's usually sufficient to replace the defective part.

If the equipment does not function properly during use, contact your Tunturi dealer immediately. Always give the model and serial number of your equipment. Please state also the nature of the problem, conditions of use and purchase date.

If you require spare parts, always give the model, serial number of your equipment and the spare part number for the part you need. The spare part list is at the back of this manual. Use only spare parts mentioned in the spare part list.

Error codes

If the display shows an error code (marked with "E" + number), restart the equipment and check whether the display still shows the error code. If the display still shows the error code, immediately contact the dealer.

Oil

OIL is not an error code, see "Lubrication"

E5

Means a power fault.

When rebooting the T90 treadmill it is important to await at least 30 seconds. The treadmill must be 30 seconds in off mode before starting up again. When resart too fast, E5 will appear always. This because the AC motor motor controller needs longer time to fully shut down, and keeps processing even after console is shut in off mode already for at least 15 seconds.

Solve the problem by shut down the treadmill by turning the power switch in off mode. Await 30 seconds and turn power switch in ON mode again. E5 error code should not appear anymore. If error code keeps coming still, contact your dealer for service.

E7

Console will show E7 code when safety key is not in (correct) position during start up.

E7 is not an error code, see "Safety key"

Transport and storage

WARNING

- Before cleaning and maintenance, remove the mains plug from the wall socket.
- Carry and move the equipment with at least two persons.
- Make sure that there are no other persons or objects under the equipment.
- When folding the folding the equipment, make sure that you hear the equipment lock into position to prevent the equipment from dropping back down.

CAUTION

- Before folding the equipment, make sure that the incline is 0%. If the incline is not 0%, folding will damage the mechanism.

- Move the equipment as shown (fig. F3). Move the equipment and carefully put the equipment down. Place the equipment on a protective base to prevent damage to the floor surface. Move the equipment carefully over uneven surfaces. Do not move the equipment upstairs using the wheels, but carry the equipment by the handlebars.
- Store the equipment in the upright position (fig. F1). Store the equipment in a dry place with as little temperature variation as possible.

Warranty

Tunturi purchaser's warranty

Warranty terms

The consumer is entitled to the applicable legal rights stated in the national legislation concerning the commerce of consumer goods. This warranty does not restrict these rights. The Purchaser's Warranty is only valid if the item is used in an environment approved by Tunturi New Fitness BV, and is maintained as instructed for that particular equipment. The product-specific approved environment and maintenance instructions are stated in the "user manual" of the product. The "user manual" can be downloaded from our website. <http://manuals.tunturi.com>

Warranty conditions

The warranty conditions commence from the date of purchase. Warranty conditions may vary per country, so please consult your local dealer for the warranty conditions.

Warranty coverage

Under no circumstances shall Tunturi New Fitness BV or the Tunturi Distributor be liable by virtue of this warranty or otherwise for any special, indirect, secondary or consequential damages of any nature arising out of any use or inability to use this equipment.

Warranty limitations

This warranty covers manufacturing defects in the fitness equipment as originally packed by Tunturi New Fitness BV. The warranty shall apply only under conditions of normal, recommended use of the product as described in the Owner's Manual and providing that Tunturi New Fitness BV's instructions for installation, maintenance and use have been complied with. Neither Tunturi New Fitness BV's nor the Tunturi Distributors' obligations apply to defects due to reasons beyond their control. The warranty applies only to the original purchaser and is valid only in countries where Tunturi New Fitness BV has an authorised importer. The warranty does not extend to fitness equipment or components that have been modified without the consent of Tunturi New Fitness BV. Defects resulting from normal wear, misuse, abuse, corrosion, or damage incurred during loading or transportation are not covered.

The warranty does not cover sounds or noises emitted during use where these do not substantially impede the use of the equipment and where they are not caused by a fault in the equipment.

The warranty does not cover defects arising from the failure to carry periodic maintenance as outlined within the Owner's Manual for the product. Furthermore, the warranty does not cover defects arising from usage and storage within an unsuitable environment as described within the Owner's Manual which should be indoors, dry, dust and grit free and within a temperature range of +15°C to +35°C. The warranty does not cover maintenance activities, such as cleaning, lubricating, and normal part adjustments, nor installation

procedures that customers can accomplish themselves, such as changing uncomplicated meters, pedals and other similar parts not requiring any dismantling/reassembling of the fitness equipment. Warranty repairs carried out by other than authorised Tunturi representatives are not covered. Failure to follow the instructions given in the Owner's Manual will invalidate the product's warranty.

Technical data

Parameter	Unit of measurement	Value
Mains voltage	VAC	210~240
Mains frequency	HZ	50~60
Speed	Km/H	0.8~24.0
Incline	Step	0~15
Length / (folded)	Cm	192.4 / (137.0)
Length / (folded)	Inch	75.7 / (53.9)
Width	Cm	92.1
Width	Inch	36.3
Height / (folded)	Cm	149.1 / (155.0)
Height / (folded)	Inch	58.7 / (61.0)
Weight	Kg	117.0
Weight	Lbs	257.9
Max. user weight	Kb	150
Max. user weight	Lbs	330
Heartrate measurement available via:	Hand-grip contact	Yes
	5.0 Khz	No
	5.3 Khz.	No
	Bluetooth (BLE)	Yes
	ANT+	No

!! NOTE

- To learn the product dimensions and functional dimensions please review illustration J

Declaration of the manufacturer

Tunturi New Fitness BV declares that the Signature T90 Treadmill is in conformity with the following standards and directives:

- RoHS Directive (2011/65/EU)
- Machinery Directive (2006/42/EC)

Hereby, Tunturi New Fitness BV declares that the radio equipment type Signature T90 Treadmill is in compliance with Directive 2014/53/EU.

The full text of the EU declaration of conformity is available at the following internet address: <https://doc.tunturi.com>

Tunturi New Fitness BV
Purmerweg 1
1311 XE Almere
The Netherlands

Disclaimer

© 2025 Tunturi New Fitness BV
All rights reserved.

- The product and the manual are subject to change.
- Specifications can be changed without further notice.
- Check our website for the latest user manual version.

Deutsch

Diese deutsche Bedienungsanleitung ist eine Übersetzung des englischen Textes. Es können keine Rechte auf diese Übersetzung abgeleitet werden.

Index

Willkommen	29
Warnhinweise zur Sicherheit	29
Elektrische Sicherheit	30
Montageanleitungen	30
Beschreibung Abbildung A.....	30
Beschreibung Abbildung B.....	30
Beschreibung Abbildung C.....	30
Beschreibung Abbildung D.....	30
Zubehör (Abb. H).....	31
Zusätzliche Montagehinweise	31
Zusätzliche Umwelt Informationen	31
Trainings	31
Trainingsanleitung	31
Herzfrequenz	32
Gebrauch	32
Einstellen des Stützfußes	33
Konsole (Abb. E-1).....	33
Tasten	33
Erklärung der Anzeigeelemente.....	34
Erläuterung der akustischen Display-Signaltöne.....	34
USB Funktion.....	34
Programme	34
Schnellstart.....	34
Ziel-Countdown-Modus (P0)	35
Training beenden	35
Voreingestellte Programme (P1~P36)	35
Benutzerprogramme (U01~U03)	35
Körperfett.....	35
HRC-Programm	36
ERP-Funktion.....	36
Metrische/angelsächsische Einstellung.....	36
Bluetooth & APP	37
Reinigung und Wartung	37
Allgemeine Reinigung.....	37
Gurt und Lauffläche.....	37
Schmierung (Abb. F-6)	37
Gurteinstellungen.....	38
Betriebs- störungen	39
Fehlercodes.....	39
Oil.....	39
E5	39
E7	39
Transport und Lagerung	39
Garantie	39
Technische Daten	40
Herstellereklärung	40
Haftungsausschluss	40
Haftungsausschluss	40

Willkommen

Willkommen in der Welt von Tunturi!

Danke, dass Sie dieses Gerät von Tunturi erworben haben. Tunturi bietet eine breite Palette an Heim-Fitnessgeräten wie beispielsweise Crosstrainer, Laufbänder, Trainingsfahrräder, Rudergeräte, Kraftbänke und Multi-Stationen an. Die Tunturi Geräte sind für die ganze Familie geeignet - ganz egal, wie fit man ist. Weitere Informationen finden Sie auf unserer Website unter www.tunturi.com

Wichtige sicherheitshinweise

Dieses Handbuch ist ein wesentlicher Bestandteil Ihres Trainingsgerätes. Lesen Sie es bitte sorgfältig durch, bevor Sie Ihr Trainingsgerät montieren, mit ihm trainieren oder es warten. Bitte bewahren Sie dieses Handbuch auf; es wird Sie jetzt und zukünftig darüber informieren, wie Sie Ihr Gerät benutzen und warten. Befolgen Sie diese Anweisungen immer sorgfältig.

Warnhinweise zur Sicherheit

⚠️ WARNUNG

- Lesen Sie die Warnhinweise zur Sicherheit und die Anweisungen. Werden die Warnhinweise zur Sicherheit und die Anweisungen nicht befolgt, kann dies zu Personenverletzungen und Schäden am Gerät führen. Bewahren Sie die Warnhinweise zur Sicherheit und die Anweisungen zur künftigen Bezugnahme auf.

⚠️ WARNUNG

- Herzfrequenz-Überwachungssysteme können ungenau sein.
- Eine Überanstrengung kann zu schweren Schädigungen oder zum Tod führen. Wenn Sie sich schwach oder ohnmächtig fühlen, stellen Sie die Übungen unverzüglich ein.

- Das Gerät ist nur für den Heim- und gewerblichen Gebrauch (z.B. Krankenhäuser, Feuerwachen, Hotels, Schulen, usw.) geeignet.
- Dieses Gerät kann von Kindern ab 8 Jahren und von Personen mit eingeschränkten physischen, sensorischen oder geistigen Fähigkeiten oder Mangel an Erfahrung und Wissen verwendet werden, wenn sie beaufsichtigt werden oder Anweisungen zur sicheren Verwendung des Geräts erhalten haben und die damit verbundenen Gefahren verstehen.
- Kinder sollten beaufsichtigt werden, um sicherzustellen, dass sie nicht mit dem Gerät spielen.
- Bevor Sie Ihr Training starten, nehmen Sie Kontakt mit einem Arzt auf, um Ihre Gesundheit kontrollieren zu lassen.
- Falls Sie Übelkeit, ein Schwindelgefühl oder andere anormale Symptome verspüren, hören Sie unverzüglich mit Ihrem Training auf und wenden Sie sich an einen Arzt.
- Um einen Muskelkater zu vermeiden, starten Sie jedes Training mit Aufwärmen und beenden Sie es mit Abkühlen. Denken Sie daran, sich am Ende des Trainings zu dehnen.
- Das Gerät ist nur für den Gebrauch in geschlossenen Räumen geeignet. Das Gerät ist nicht für den Gebrauch im Freien geeignet.
- Verwenden Sie das Gerät nur in Umgebungen mit ausreichender Belüftung. Verwenden Sie das Gerät nicht in zugiger Umgebung, damit Sie sich nicht erkälten.
- Verwenden Sie das Gerät nur in Umgebungen mit Umgebungstemperaturen zwischen 10 °C~35 °C. Lagern Sie das Gerät nur in Umgebungen mit einer Umgebungstemperatur zwischen 5 °C~45 °C.
- Verwenden und lagern Sie das Gerät nicht in feuchten Umgebungen. Die Luftfeuchtigkeit darf niemals 80% überschreiten.
- Verwenden Sie das Gerät nur bestimmungsgemäß. Verwenden Sie das Gerät nicht für einen anderen als für den in diesem Handbuch beschriebenen Zweck.



- Verwenden Sie das Gerät nicht, falls Teile beschädigt oder defekt sind. Ist ein Teil beschädigt oder defekt, wenden Sie sich an Ihren Händler.
- Halten Sie Ihre Hände, Füße und andere Körperteile von den beweglichen Teilen fern.
- Halten Sie Ihr Haar von den beweglichen Teilen fern.
- Tragen Sie entsprechende Kleidung und Schuhe.
- Halten Sie Kleidung, Schmuck und andere Gegenstände von den beweglichen Teilen fern.
- Vergewissern Sie sich, dass das Gerät nur von einer Person auf einmal verwendet wird. Das Gerät darf nicht von Personen verwendet werden, deren Gewicht 150 kg (330 lbs) überschreitet.
- Öffnen Sie das Gerät nicht, ohne vorher mit Ihrem Händler zu sprechen.

Elektrische Sicherheit

(Betrifft nur elektrisch betriebene Geräte)

- Vergewissern Sie sich vor der Verwendung stets, dass die Netzspannung mit der Spannung auf dem Typenschild des Geräts übereinstimmt.
- Verwenden Sie kein Verlängerungskabel.
- Halten Sie das Netzkabel von Hitze, Öl und scharfen Kanten fern.
- Verändern Sie nichts am Netzkabel oder am Netzstecker.
- Verwenden Sie das Gerät nicht, falls das Netzkabel oder der Netzstecker beschädigt oder defekt ist. Ist das Netzkabel oder der Netzstecker beschädigt oder defekt, wenden Sie sich an Ihren Händler.
- Wickeln Sie das Netzkabel immer vollständig ab.
- Lassen Sie das Netzkabel nicht unter dem Gerät entlanglaufen. Lassen Sie das Netzkabel nicht unter einem Teppich entlanglaufen. Stellen Sie keine Gegenstände auf das Netzkabel.
- Vergewissern Sie sich, dass das Netzkabel nicht über der Kante eines Tisches hängt. Vergewissern Sie sich, dass niemand versehentlich über das Netzkabel stolpert.
- Lassen Sie das Gerät nicht unbeaufsichtigt, wenn der Netzstecker in die Wandsteckdose eingesteckt ist.
- Ziehen Sie nicht am Netzkabel, um den Netzstecker aus der Wandsteckdose zu ziehen.
- Ziehen Sie den Netzstecker aus der Wandsteckdose, wenn das Gerät nicht verwendet wird, bevor es zusammengebaut oder zerlegt wird sowie vor der Reinigung und Wartung.

⚠️ WARNUNG

- Schwankungen in der Netzspannung von mehr als 10 Prozent können zu Fehlfunktionen des Gerätes führen und die Elektronik beschädigen. Die Leistungsaufnahme kann maximal 15 A betragen. Die Garantie erlischt, wenn das Gerät nicht diesen Anleitungen entsprechend angeschlossen wird

⚠️ WARNUNG

- Führen Sie das Stromkabel abseits aller beweglichen Teile des Laufbands, einschließlich des Hebemechanismus und der Transporträder.

⚠️ WARNUNG

- Verwenden Sie niemals Wasser oder eine andere Flüssigkeit direkt auf oder in der Nähe des Geräts, sondern nur ein feuchtes Tuch, wenn das Gerät feucht gereinigt werden muss.
- Die direkte Verwendung von Flüssigkeit ist schädlich für die Komponenten des Geräts und kann zu einem elektrischen Schlag durch einen Kurzschluss führen.
Dies kann zu schweren Verletzungen oder sogar zum Tod führen.
- Das Gerät darf nur mit dem mitgelieferten Netzkabel verwendet werden

Erdungsanweisungen

Dieses Produkt muss geerdet werden. Wenn das Elektrosystem des Laufbands nicht funktioniert oder ausfällt, ist die Erdung der letzte Widerstand für Stromspannung, wodurch Stromschläge vermieden werden. Dieses Produkt hat eine Kabel mit einem Erdungsstecker. Der Stecker muss in eine geeignete Dose gesteckt werden, die richtig gemäß aller örtlichen Bestimmungen und Verordnungen installiert und geerdet ist.

⚠️ WARNUNG

- Ein ungeeigneter Erdungsanschluss des Geräts kann zu Stromschlägen führen. Überprüfen Sie zusammen mit einem qualifizierten Elektriker oder Servicemitarbeiter in Zweifelsfällen, ob das Gerät richtig geerdet ist. Nehmen Sie am Stecker, der mit dem Produkt geliefert wurde, keine Veränderungen vor, wenn dieser nicht in die Steckdose passt; lassen Sie von einem qualifizierten Elektriker eine passende Steckdose installieren.

Montageanleitungen

Beschreibung Abbildung A

Die Abbildung zeigt, wie das Gerät nach der Montage aussehen wird. Sie können diese bei der Montage als Referenz verwenden, befolgen Sie die Montageschritte aber immer in der richtigen Reihenfolge, wie in den Abbildungen gezeigt.

Beschreibung Abbildung B

Die Abbildung zeigt, welche Komponenten und Teile in der Lieferung enthalten sein sollen.

!! HINWEIS

- Kleinteile können in Hohlräumen im Styropor-Produktschutz versteckt/verpackt werden
- Fehlt ein Teil, wenden Sie sich an Ihren Händler.

Beschreibung Abbildung C

Die Abbildung zeigt den Zubehörsatz, der mit Ihrem Produkt geliefert wird.

Er enthält Schrauben, Unterlegscheiben, Muttern usw. sowie die erforderlichen Werkzeuge zur ordnungsgemäßen Montage Ihres Trainers.

Beschreibung Abbildung D

Die Abbildungen zeigen Ihnen in der richtigen Reihenfolge, wie Sie Ihren Trainer am besten montieren.

⚠️ WARNUNG

- Bauen Sie das Gerät in der angegebenen Reihenfolge zusammen.
- Tragen und bewegen Sie das Gerät mit mindestens zwei Personen.

⚠️ VORSICHT

- Stellen Sie das Gerät auf festen, ebenen Boden.
- Stellen Sie das Gerät auf eine schützende Unterlage, um Schäden am Bodenbelag zu vermeiden.
- Sorgen Sie rund um das Gerät für einen Freiraum von mindestens 100 cm.
- Der richtige Zusammenbau des Geräts geht aus den Abbildungen hervor.

!! HINWEIS

- Heben Sie die Werkzeuge für künftige Zwecke auf, die zu diesem Produkt geliefert wurden, wenn Sie die Montage beendet haben.

Zubehör (Abb. H)

!! HINWEIS

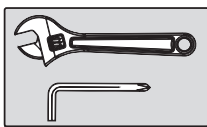
- Die Abbildung zeigt, wie das Gerät mit den passenden verlängerten Handläufen aussieht.
- Die zusätzlichen verlängerten Handläufe sind als Zubehör erhältlich.
- ArtikelNr.: 22TRNRH000

Wenden Sie sich für weitere Informationen an Ihren Händler.

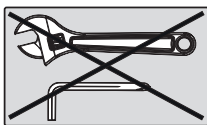
Zusätzliche Montagehinweise

Ziehen Muttern und Schrauben

Um zu verhindern, dass die montierten Rahmenteile nicht korrekt ausgerichtet sind, ist es ratsam, die ersten nachfolgenden Schritte abzuschließen, bevor die Schrauben und Muttern vollständig angezogen werden. Dadurch bleibt die Möglichkeit erhalten, bereits montierte Teile neu zu positionieren, so dass die Gesamtmontage reibungsloser verläuft. Daher ist es ratsam, die nachstehenden Anweisungen zu befolgen.



Ziehen Sie die Muttern und Schrauben fest an, nachdem alle Komponenten im aktuellen und in den vorherigen Schritten montiert wurden.



Ziehen Sie nicht alle Muttern und Schrauben in diesem Schritt fest. Handfest ist genug.

Zusätzliche Umwelt Informationen

Verpackungsentsorgung

Staatliche Vorschriften sagen, dass wir die in Deponien entsorgen Abfallmengen verringern sollen. Daher bitten wir Sie, den gesamten Verpackungsabfall an öffentlichen Recyclingstellen abzugeben

Entsorgung am ende der Lebensdauer

Wir bei Tunturi hoffen, dass Sie Ihren Fitnesstrainer viele Jahre mit Freude nutzen werden. Jedoch wird irgendwann die Zeit kommen, wenn die Ende der Nutzungsdauer des Fitnesstrainers erreicht ist. Gemäß den europäischen WEEE-Gesetzen sind Sie für eine geeignete Entsorgung des Fitnesstrainers bei einer anerkannten öffentlichen Entsorgungsstelle verantwortlich.

Trainings

Das Training muss leicht und geeignet, aber von langer Dauer sein. Aerobic-Übungen basieren auf der Verbesserung der maximalen Sauerstoffaufnahme des Körpers, was wiederum die Ausdauer und Fitness verbessert. Sie sollten während des Trainings zwar ins Schwitzen, aber nicht außer Atem kommen. Um eine Basisfitness zu erreichen und zu halten, üben Sie mindestens drei mal pro Woche 30 Minuten lang an einem Stück. Erhöhen Sie die Anzahl der Übungssitzungen, um Ihre Fitness zu verbessern. Es lohnt sich, die regelmäßigen Übungen mit einer gesunden Diät

zu kombinieren. Personen, die Diät machen, sollten täglich zuerst 30 Minuten oder weniger an einem Stück üben und die tägliche Trainingszeit allmählich auf eine Stunde verlängern. Beginnen Sie Ihr Training mit niedriger Geschwindigkeit und geringem Widerstand, um zu vermeiden, dass das Herzkreislaufsystem einer übermäßigen Belastung ausgesetzt wird. Mit sich verbessernder Fitness können Geschwindigkeit und Widerstand allmählich erhöht werden. Die Wirksamkeit Ihrer Übungen kann durch Überwachung der Herzfrequenz und Ihrer Pulsfrequenz gemessen werden.

Trainingsanleitung

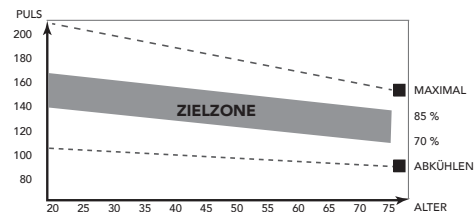
Die Verwendung des Fitnesstrainers wird Ihnen viele Vorteile bieten: Er verbessert Ihre körperliche Fitness, formt die Muskeln und hilft Ihnen, in Verbindung mit einer kalorienreduzierten Diät, Gewicht zu verlieren.

Die Aufwärm-Phase

Der Blutkreislauf wird angeregt und die Muskelfunktionen werden unterstützt. Außerdem wird das Risiko von Krämpfen und Muskelverletzungen gesenkt. Sie sollten, wie unten angezeigt, einige Dehnungsübungen machen. Sie sollten weder die Dehnungsbewegung erzwingen noch die Muskeln dabei ruckweise bewegen - wenn Sie Schmerzen haben, sollten Sie AUFHÖREN.

Die Trainings-Phase

In dieser Phase strengen Sie sich an. Nach regelmäßiger Verwendung werden die Muskeln in Ihren Beinen beweglicher. In dieser Phase ist es sehr wichtig, immer ein gleichmäßiges Tempo beizubehalten. Die Anstrengung sollte ausreichen, um Ihren Herzschlag bis in die Zielzone zu erhöhen, die im folgenden Diagramm dargestellt ist.



Diese Phase sollte mindestens 12 Minuten dauern; die meisten Menschen beginnen mit ca. 15 bis 20 Minuten.

Die Abkühlungs-Phase

Sie dient der Entspannung Ihres Herz-Kreislaufsystems und Ihrer Muskeln. Dabei werden die Aufwärmübungen wiederholt, reduzieren Sie zum Beispiel Ihr Tempo und machen Sie ca. 5 Minuten weiter. Jetzt sollten die Dehnübungen wiederholt werden. Denken Sie wiederum daran, weder die Dehnungsbewegung zu erzwingen noch die Muskeln dabei ruckweise zu bewegen. Wenn Sie fitter werden, kann es sein, dass Sie länger und härter trainieren müssen. Sie sollten mindestens drei Mal die Woche trainieren und, falls möglich, Ihre Trainingseinheiten gleichmäßig über die Woche verteilen.

Muskelformung

Um Ihre Muskeln beim Training auf dem Fitnesstrainer zu formen, müssen Sie den Widerstand ziemlich hoch einstellen. Dadurch werden die Beinmuskeln mehr angestrengt und Sie können möglicherweise nicht so lange trainieren, wie Sie möchten. Wenn Sie außerdem Ihre Fitness verbessern möchten, müssen Sie Ihr Trainingsprogramm ändern. Sie sollten in den Aufwärm- und Abkühlphasen normal trainieren, jedoch gegen Ende der Trainingsphase den Widerstand erhöhen, damit Ihre Beine härter arbeiten müssen. Sie müssen die Geschwindigkeit verringern, damit Ihre Herzfrequenz in der Zielzone bleibt.



Gewichtsabnahme

Der wichtige Faktor ist, wie sehr Sie sich anstrengen. Je härter und je länger Sie trainieren, desto mehr Kalorien verbrennen Sie. Dies ist im Grunde dasselbe, wie wenn zur Verbesserung Ihrer Fitness trainieren, nur das Ziel ist ein anderes.

Herzfrequenz

Pulsfrequenzmessung (Handpulssensoren)

Die Pulsfrequenz wird durch Sensoren in den Handgriffen gemessen, wenn der Nutzer beide Sensoren gleichzeitig anfasst. Für eine genaue Pulsmessung ist es erforderlich, dass die Haut etwas feucht ist und die Handpulssensoren konstant berührt werden. Ist die Haut zu trocken oder zu feucht, wird die Pulsfrequenzmessung weniger genau.

!! HINWEIS

- Verwenden Sie die Handpulssensoren nicht in Kombination mit einem Herzfrequenz-Brustgürtel.
- Wenn Sie sich einen Herzfrequenz-Grenzwert für Ihr Training setzen, ertönt beim Überschreiten ein Signal.

Herzfrequenzmessung (Herzfrequenz-Brustgürtel)

!! HINWEIS

- Ein Herzfrequenz-Brustgürtel gehört bei diesem Trainer nicht zum Standard. Wenn Sie einen drahtlosen Brustgürtel verwenden möchten, müssen Sie diesen als Zubehör erwerben.

Die genaueste Herzfrequenzmessung lässt sich mit einem Herzfrequenz-Brustgürtel erzielen. Die Herzfrequenz wird mit einem Herzfrequenzempfänger in Kombination mit einem Herzfrequenz-Sendegürtel gemessen. Für eine genaue Herzfrequenzmessung ist es erforderlich, dass die Elektroden am Sender etwas feucht sind und die Haut konstant berühren. Sind die Elektroden zu trocken oder zu feucht, wird die Herzfrequenzmessung weniger genau.

⚠️ WARNUNG

- Falls Sie einen Schrittmacher haben, wenden Sie sich zunächst an einen Arzt, bevor Sie einen Herzfrequenz-Brustgürtel verwenden.

⚠️ VORSICHT

- Falls sich mehrere Herzfrequenz-Messgeräte in gegenseitiger Nähe befinden, vergewissern Sie sich, dass der Abstand zwischen ihnen mindestens 1,5 Meter beträgt.
- Falls nur ein Herzfrequenzempfänger und mehrere Herzfrequenzsender vorhanden sind, vergewissern Sie sich, dass nur eine Person mit einem Sender in Sendereichweite ist.

!! HINWEIS

- Verwenden Sie keinen Herzfrequenz-Brustgürtel in Kombination mit den Handpulssensoren.
- Tragen Sie den Herzfrequenz-Brustgürtel stets mit direktem Hautkontakt unter Ihrer Kleidung. Tragen Sie den Herzfrequenz-Brustgürtel nicht auf Ihrer Kleidung. Falls Sie den Herzfrequenz-Brustgürtel auf Ihrer Kleidung tragen, gibt es kein Signal.
- Wenn Sie sich einen Herzfrequenz-Grenzwert für Ihr Training setzen, ertönt beim Überschreiten ein Signal.
- Der Sender überträgt die Herzfrequenz in einem Abstand bis zu 1 Meter zur Konsole. Sind die Elektroden nicht feucht, erscheint die Herzfrequenz nicht auf der Anzeige.
- Einige Fasern in der Kleidung (z.B. Polyester, Polyamid) erzeugen statische Elektrizität, die eine genaue Herzfrequenzmessung verhindern kann.
- Mobiltelefone, Fernsehergeräte und andere Elektrogeräte erzeugen ein elektromagnetisches Feld, das eine genaue Herzfrequenzmessung verhindern kann.

Maximale Herzfrequenz (während des Trainings)

Die maximale Herzfrequenz ist die höchste Herzfrequenz, die eine Person durch Übungsbelastung sicher erzielen kann. Folgende Formel wird zur Berechnung der durchschnittlichen maximalen Herzfrequenz verwendet: $220 - \text{ALTER}$. Die maximale Herzfrequenz variiert von Person zu Person.

⚠️ WARNUNG

- Stellen Sie sicher, dass Sie während des Trainings Ihre maximale Herzfrequenz nicht überschreiten. Falls Sie einer Risikogruppe angehören, wenden Sie sich an einen Arzt.

Anfänger

50-60% der maximalen Herzfrequenz

Geeignet für Anfänger, Gewicht- Beobachter, Genesende und Personen, die schon lange nicht mehr trainiert haben. Trainieren Sie mindestens dreimal pro Woche 30 Minuten an einem Stück.

Fortgeschritten

60-70% der maximalen Herzfrequenz

Geeignet für Personen, die ihre Fitness verbessern und halten wollen. Trainieren Sie mindestens dreimal pro Woche 30 Minuten an einem Stück.

Experte

70-80% der maximalen Herzfrequenz

Geeignet für die fittesten Personen, die sich an lange Ausdauertrainings gewöhnt haben.

Gebrauch

Hauptschalter (Abb. E-2A)

Das Gerät ist mit einem Hauptschalter ausgestattet, mit dem es komplett abgeschaltet werden kann.

Um das Gerät zu starten:

- Stecken Sie den Netzstecker in das Gerät.
- Stecken Sie den Netzstecker in die Wandsteckdose.
- Schalten Sie den Hauptschalter ein (ON).

Um das Gerät zu stoppen:

- Schalten Sie den Netzschalter aus (OFF).
- Ziehen Sie den Netzstecker aus der Wandsteckdose.
- Ziehen Sie den Netzstecker aus dem Gerät.

Sicherheitsschlüssel (Abb. F-4)

Das Gerät ist mit einem Sicherheitsschlüssel ausgestattet, der ordnungsgemäß in die Konsole eingeführt werden muss, um das Gerät zu starten. Wenn Ihr Sicherheitsschlüssel teilweise herausgezogen wird, aktiviert er den Notfallmodus und bewirkt, dass das Gerät sofort gestoppt wird.

- Führen Sie den Sicherheitsschlüssel in den Schlitz in der Konsole ein, indem Sie ihn nach innen drücken.
- Vergewissern Sie sich, dass der Clip des Sicherheitsschlüssels richtig an Ihrer Kleidung befestigt ist. Vergewissern Sie sich, dass der an Ihrer Kleidung befestigte Clip fest genug sitzt damit er den Sicherheitsschlüssel bei Bedarf herausziehen kann.

!! HINWEIS

- Der Sicherheitsschlüssel kann nicht vom Gerät entfernt werden, da es sich um eine feste Struktur handelt.

!! HINWEIS

- Die Konsole zeigt den E7-Code an, wenn der Sicherheitsschlüssel nicht in Position ist.

Schutzschalter (Abb. E-2B)

Das Gerät ist mit einem Schutzschalter ausgestattet, der den Strom unterbricht, wenn die elektrische Last die maximale Kapazität überschreitet. Tritt dies ein, muss der Schutzschalter gedrückt werden..

WARNUNG

- Ziehen Sie vor dem Drücken des Schutzschalters den Netzstecker aus dem Gerät.

Schaltet das Gerät ab, gehen Sie wie folgt vor, um das Gerät neu zu starten:

- Ziehen Sie den Netzstecker aus dem Gerät.
- Drücken Sie den Schutzschalter, um das Gerät neu zu starten.
- Stecken Sie den Netzstecker in das Gerät.

HINWEIS

- Einige Schutzschalter in Gebäuden sind nicht auf hohen Einschaltstrom ausgelegt, der beim ersten Einschalten des Laufbands oder auch bei normaler Verwendung vorkommen kann. Wenn Ihr Laufband den Schutzschalter auslöst (auch wenn die Spannung korrekt ist und das Laufband das einzige Gerät im Stromkreis ist), aber der Schutzschalter im Laufband selbst nicht ausgelöst wird, müssen Sie den Schalter durch einen für hohen Einschaltstrom ersetzen. Dies ist nicht Teil der Garantieleistungen. Diese Bedingungen können vom Hersteller nicht beeinflusst werden.

Auseinander- und Zusammenklappen des Geräts (Abb. F1-F2)

Das Gerät kann zum Gebrauch auseinandergeklappt (Abb.F1) und zum Transport und zur Aufbewahrung zusammengeklappt werden (Abb. F2). Aus den Abbildungen geht hervor, wie das Gerät richtig auseinander- und zusammengeklappt wird.

WARNUNG

- Stelle sicher das der Steigungswinkel auf 0 steht bevor sie das Lauf-deck einklappen. Wenn der Steigungswinkel nicht auf 0 steht, dann kann der Mechanismus beschädigt werden.

Einstellen des Stützfußes

Das Gerät ist mit einstellbaren Stützfüßen ausgestattet. Wenn sich das Gerät instabil, wackelig oder nicht gut nivelliert anfühlt, können diese Stützfüße eingestellt werden, um die erforderlichen Korrekturen vorzunehmen.

- Drehen Sie die Stützfüße nach Bedarf ein/aus, um das Gerät in eine stabile und möglichst waagerechte Position zu bringen.
- Ziehen Sie die Kontermuttern* an, um die Stützfüße zu arretieren.

SCHNELL-TIPP

- Es ist einfacher, dies mit zwei Personen zu tun, so dass eine Person das Gerät kippen kann, während die andere die erforderliche Einstellung vornimmt.



Klicken Sie hier, um unser unterstützendes YouTube-Video zu sehen. https://youtu.be/E_7agKqaUlc

HINWEIS

- Das Gerät ist am stabilsten, wenn es so niedrig wie möglich auf dem Boden steht. Beginnen Sie daher mit der Nivellierung des Geräts, indem Sie alle Stützfüße ganz hineindrehen, bevor Sie die erforderlichen Stützfüße zur Stabilisierung und Nivellierung des Geräts herausdrehen.

Konsole (Abb. E-1)



VORSICHT

- Halten Sie die Konsole von direkter Sonneneinstrahlung fern.
- Trocknen Sie die Oberfläche der Konsole, wenn Sie mit Schweißtropfen bedeckt ist.
- Lehnen Sie sich nicht auf die Konsole.
- Berühren Sie die Anzeige nur mit Ihrer Fingerspitze. Vergewissern Sie sich, dass Ihre Nägel oder andere scharfe Gegenstände die Anzeige nicht berühren.

HINWEIS

- Die Konsole schaltet in den Standby-Modus, wenn das Gerät 4 Minuten lang nicht verwendet wird.

Tasten

Stop/Reset

- Einmal drücken, um das Training/das Laufband sanft zu stoppen.
- Zweimal drücken, um das Training/das Laufband schneller zu stoppen.
- Setzen Sie das Cockpit zurück, indem Sie die Taste zwei Sekunden im „Stopmodus“ gedrückt halten.

Start/Pause

- Das ausgewählte Training starten oder das unterbrochene Training neu starten, wenn Sie sich im Pausemodus befinden.
- Das aktive Training unterbrechen.

Prog

- Drücken, um durch die möglichen Programme zu wechseln. (P0/ P1~P36/ U01~U03/ HRC1~HRC3/ FAT)

Mode (Modus)

- Zyklus zwischen den Zielparametern im Programmiermodus.
- Zeitvorgabe beim Einstellen der Zeitvorgaben für die Programme "P1~P36" zurücksetzen.
- Drücken Sie diese Taste, um die angezeigten Multi-Display-Scan-LED-Anzeigen einzufrieren, wenn Sie sich im Trainingsmodus befinden.
- Durch erneutes Drücken der Taste wird das Einfrieren aufgehoben und der Scanmodus wieder aktiviert.

Speed +

- Erhöht die Geschwindigkeit (0.8 ~ 24.0 km/h).
- Bei einmaligem Drücken erhöht sich die Geschwindigkeit um 0.1 km/h.
- Die Geschwindigkeit wird schneller erhöht, wenn die Taste zwei Sekunden gedrückt gehalten wird.
- Blättern Sie durch die Programme und ändern Sie die Werte im Programmiermodus.



Speed -

- Verringert die Geschwindigkeit (0.8 ~ 24.0 km/h).
- Bei einmaligem Drücken verringert sich die Geschwindigkeit um 0.1 km/h.
- Die Geschwindigkeit wird schneller verringert, wenn die Taste zwei Sekunden gedrückt gehalten wird.
- Blättern Sie durch die Programme und ändern Sie die Werte im Programmiermodus.

Kurzwahltasten Geschwindigkeit:

Die Kurzwahltasten sind auf 6, 9, 12 eingestellt.

So ändert sich zum Beispiel eine beliebige Geschwindigkeit auf 9 km/h, wenn Sie die Kurzwahltaste 9 drücken.

Schnellzugriffstasten am Lenker:

- + Gleich Geschwindigkeit +.
- - Gleich Geschwindigkeit -.

Incline +

- Erhöht die Steigung (0 ~ 15 +1).
- Blättern Sie durch die Programme und ändern Sie die Werte im Programmiermodus.

Incline -

- Verringert die Steigung (0 ~ 15 -1).
- Blättern Sie durch die Programme und ändern Sie die Werte im Programmiermodus.

Kurzwahltasten Steigung:

Die Kurzwahltasten sind auf 0, 5, 10 eingestellt.

So ändert sich zum Beispiel eine beliebige Steigung auf 5, wenn Sie die Kurzwahltaste 5 drücken.

Schnellzugriffstasten Steigung am Lenker:

- + : Wie Steigung +.
- - : Wie Steigung -.

Erklärung der Anzeigeelemente

Speed (Geschwindigkeit)

- Zeigt im Trainingsmodus die aktuelle Laufbandgeschwindigkeit an.
- Zeigt im Programmiermodus die Zielgeschwindigkeit an.
- Zeigt im Programmiermodus die Programmauswahl an.

Incline (Steigung)

- Zeigt im Trainingsmodus die aktuelle Laufbandsteigung an.
- Zeigt im Programmiermodus die Zielsteigung.

Distance (Entfernung)

- Zeigt im Trainingsmodus die zurückgelegte Strecke an.
- Zeigt beim Training im Countdown-Modus die verbleibende Entfernung an.
- Zeigt im Programmiermodus die Zielstrecke an.

Time (Zeit)

- Zeigt im Trainingsmodus die gelaufene Zeit an.
- Zeigt beim Training im Countdown-Modus die verbleibende Zeit an.
- Zeigt im Programmiermodus die Zielzeit an.

Steps (Schritte)

Die Konsole zeigt die Anzahl der Schritte an, die Sie während Ihres Trainings gemacht haben.

!! HINWEIS

- Für eine stabile Funktion des eingebauten Schrittzählers ist ein Benutzergewicht von mindestens 40 kg und eine eingestellte Mindestgeschwindigkeit von 3 km/h erforderlich.
- Wenn das Körpergewicht und/oder die eingestellte Geschwindigkeit niedriger ist, kann die Funktion weniger stabil sein.

Heart (Herz)

- Zeigt im Trainingsmodus die Pulsfrequenz oder „P“ an, wenn kein Puls gemessen wird.

Calories (Kalorien)

- Zeigt die verbrauchten Kalorien im Trainingsmodus an.
- Zeigt beim Training im Countdown-Modus die verbleibenden Kalorien an.
- Zeigt im Programmiermodus die Zielkalorien an.

!! HINWEIS

- Diese Daten sind ein grober Anhaltspunkt für den Vergleich verschiedener Trainingssitzungen, die nicht für eine medizinische Behandlung verwendet werden können.

Scan

- Anzeige für "Time/ Step", "Heart/ Incline" & "Calories/ Distance" schaltet alle 5 Sekunden um.
- Um Ihre bevorzugte Anzeige einzufrieren, drücken Sie zum freischalten und erneuten Aktivieren des Scanmodus erneut auf Modus.

Erläuterung der akustischen Display-Signaltöne

Die Konsole ist so konzipiert, dass der Benutzer durch einen akustischen Signalton informiert wird.

Damit soll der Benutzer auf Änderungen aufmerksam gemacht werden, um das Training sicher zu gestalten.

Die Konsole benachrichtigt den Benutzer, wenn:

- das voreingestellte Ziel erreicht wurde.
- eine Geschwindigkeits- oder Steigungsänderung im gewählten Programm eintritt.

USB Funktion

Der Benutzer kann ein Gerät anschließen zum Laden, während des Trainings.

Spannung/ Strom: 5VDC/ 1.0 Amp

Programme

Schnellstart

- Drücken Sie die Taste „Start/ Pause“, um Ihr Training ohne Voreinstellungen zu beginnen.
- Das Laufband beginnt mit der Mindestgeschwindigkeit von 1,0 km/h und behält die aktuell eingestellte Steigungseinstellung bei.
- Die Einstellung „Speed/Incline“ lässt sich jederzeit manuell einstellen, um Ihr Training zu ändern. Sie können es auch jederzeit stoppen/unterbrechen.

Ziel-Countdown-Modus (P0)

Das Gerät muss sich im Startmodus befinden, damit man auf den Ziel-Countdown-Modus zugreifen kann.

Halten Sie die „Stop/Reset-“ Taste zwei Sekunden lang gedrückt, um den Startmodus zu aktivieren.

- Drücken Sie die Taste „Mode“, um den Ziel-Countdown-Modus auszuwählen:
 - Trainingsmodus 1: Zeitziel.
Verwenden Sie die Tasten „Speed + & -“, um den Wert einzustellen, bestätigen Sie durch Drücken der Mode Knopf. Standard 30:00 Min. Umfang 5:00~95:00 ± 1:00.
 - Trainingsmodus 2: Zielwert Distanz.
Verwenden Sie die Tasten „Speed + & -“, um den Wert einzustellen, bestätigen Sie durch Drücken der Mode Knopf. Standard 1.00 km. Rahmen 1.00~99.00 ± 1.0.
 - Trainingsmodus 3: Kalorien-Countdown.
Verwenden Sie die Tasten „Speed + & -“, um den Wert einzustellen. Standard 50. Rahmen 20~9990 ± 10.
- Drücken Sie die Taste „Start/Pause“, um Ihr Training direkt nach der Zieleinstellung zu beginnen.

!! HINWEIS

- Wenn ein Ziel festgelegt ist, endet das Training, wenn das voreingestellte Ziel erreicht ist.
- Es kann nur ein Ziel eingestellt werden.

Training beenden

- Durch einmaliges Drücken der Taste „Start/ Pause“ können Sie jederzeit pausieren.
Das Display wird den Pausenmodus „PAUS“ anzeigen. Die maximale Pausenzeit beträgt 4.30 Min.
- Drücken Sie zur Wiederaufnahme des Trainings die Taste „Start/ Pause“ im „PAUSE“-Modus.
- Zum Anhalten des Trainings einmal auf die Taste „STOP“ (Stopp) drücken.
- Zum Zurücksetzen der Konsole zweimal auf „STOP“ (Stopp) drücken.

Voreingestellte Programme (P1~P36)

Das Gerät verfügt über 36 voreingestellte Programme mit verschiedenen Profilen. (Tabelle Abb. G.)

- Drücken Sie die Tasten „Prog“, um die Programme „P1~P36“ auszuwählen.
- Stellen Sie die gewünschte Trainingszeit ein
Verwenden Sie die Tasten „Speed + & -“, um den Wert einzustellen. Standard 30:00 Min. Umfang 5:00~95:00 ± 1:00.
- Drücken Sie die Taste „Start/ Pause“, um Ihr Training zu beginnen.

!! HINWEIS

- Die Geschwindigkeit und die Steigung werden anhand des gewählten Programms gesteuert.
- Ein akustischer Signalton signalisiert dem Benutzer, dass innerhalb weniger Sekunden eine Geschwindigkeits- und/oder Steigungseinstellung erfolgt.
- Die Dauer jedes Segments beträgt 1/16 der voreingestellten Trainingszeit.
- Die Geschwindigkeit und die Steigung können jederzeit geändert werden, sie beziehen sich aber nur auf das aktive Profildsegment. Das Programm wird dem Profil weiter folgen, wenn es zum nächsten Profildsegment wechselt.

Benutzerprogramme (U01~U03)

Das Gerät verfügt über drei Benutzerprogramme.

Jedes der Benutzerprogramme kann an persönliche Anforderungen angepasst werden. Jedes Benutzerprogramm verfügt über 16 Schritte. Für jede Stufe kann die Geschwindigkeit und die Steigung eingestellt werden. Jede Stufe dauert 1/16 der gesamten Zeit.

- Wählen Sie zur Auswahl des Programms „U-1~ U-3“ die Taste „Prog“.
- Stellen Sie die gewünschte Trainingszeit ein
Verwenden Sie die Tasten „Speed + & -“, um den Wert einzustellen. Standard 30:00 Min. Umfang 5:00~95:00 ± 1:00.
- Drücken Sie die Taste „Start/ Pause“, um Ihr Training zu beginnen.

Programmiermodus Profile.

- Wählen Sie zur Auswahl des Programms U-1/U-2 oder U-3 die Taste „Prog“.
- Drücken Sie die Taste „Mode“, um den Programmiermodus für das ausgewählte Benutzerprogramm zu öffnen.
- Das Menü für die Profilprogrammierung öffnet sich, in dem Sie die Werte für Geschwindigkeit und Steigung des ersten von 16 Segmenten einstellen können.
- Sie stellen Ihre Werte wie folgt ein: -
 - Verwenden Sie die „Speed + & -“ Tasten, um die gewünschte Geschwindigkeit einzustellen.
 - Verwenden Sie die Tasten „Incline + & -“ um die gewünschte Steigung einzustellen.
 - Bestätigen Sie durch Drücken der Taste „Mode“.
- Der Programmiermodus für das Programmprofilsegment 2 wird geöffnet.
- Die Programmierung der verbleibenden 15 Segmente muss auf die gleiche Weise erfolgen, bis alle 16 Segmente eingestellt sind.
- Wenn das 16. Segment bestätigt ist, wird das Zeitfenster aufleuchten, um die gewünschte Trainingszeit einzustellen.
- Sie stellen wie folgt Ihre gewünschte Trainingszeit ein:
Verwenden Sie die Tasten „Speed + & -“, um die gewünschte Trainingszeit einzustellen.
Standardeinstellung: 30:00 Min. / Einstellbereich: 5:00~99:00 ± 1:00.
- Das Programm lässt sich mit der Taste „Start/Pause“ starten.

!! HINWEIS

- Das programmierte Benutzerprofil wird automatisch gespeichert, so dass es beim nächsten Mal erneut verwendet werden kann.

Körperfett

Das Körperfettprogramm dient zum Anzeigen Ihrer körperlichen Verfassung anhand Ihrer Körperparameter und Ihrer Herzfrequenz.

- Drücken Sie die Taste „Mode“, um den Programmiermodus zu öffnen.
- Drücken Sie die Tasten „Prog“, um das Programm „8-1“ auszuwählen; drücken Sie dann zur Bestätigung die Taste „Mode“.
- Das Display zeigt „F1“ (Geschlecht) an.
Das Display zeigt „1“ an
Zur Auswahl die Tasten „Speed + & -“ drücken:
1: Männlich/ 2: Weiblich Drücken Sie zur Bestätigung die Taste „Mode“.
- Das Display zeigt „F2“ (Alter) an.
Das Display zeigt „25“ an
Zur Auswahl die „Speed + & -“ tasten drücken: 1 bis 99
Zur Bestätigung die Taste „Mode“ drücken.



- Das Display zeigt „F3“ (Größe) an.
Das Display zeigt „170“ cm an
Zur Auswahl die „Speed + & -“ tasten drücken: 100 bis 220 cm
Zur Bestätigung die Taste „Mode“ drücken.
- Das Display zeigt „F4“ (Gewicht) an.
Das Display zeigt „70 kg“ an
Zur Auswahl die „Speed + & -“ tasten drücken: 20 bis 150 kg
Drücken Sie zur Bestätigung die Taste „Mode“.
- Das Display zeigt „F5“ (Aktiv) an.
Halten Sie die Kontakthandgriff-Herzfrequenzmesspads, um die „FAT“-Messung zu aktivieren.
Das Ergebnis wird nach fünf bis zehn Sekunden angezeigt. Siehe „Ergebnisberechnung“.

⚠ ACHTUNG

- Für diese Funktion ist das Halten der Kontakthandgriff-Herzfrequenzmesspads erforderlich.

Ergebnisberechnung:

KÖRPERTYP: (Körperfettanteil; 4 Typen)

Körperfettanteil	0 ~ 17	Untergewicht
Körperfettanteil	18 ~ 24	Normal
Körperfettanteil	25 ~ 28	Übergewicht
Körperfettanteil	29 ~ +	Übergewicht

- BF = Body Fat, dt. Körperfett (im Verhältnis, %)
- Der Fehlercode „ERR“ wird angezeigt, wenn während der Körperfettmessung keine Herzfrequenz erkannt wurde.
- Mit der Taste „Stop/Reset“ kann das Körperfettprogramm beendet werden.

HRC-Programm

Das HRC-Programm ist ein geschwindigkeitsgeregeltes Programm, das auf Ihrer Herzfrequenz basiert. Die Geschwindigkeit erhöht sich automatisch, wenn sich Ihre Herzfrequenz unter dem Zielwert befindet, und sie verringert sich automatisch, wenn er über dem Zielwert liegt.

- Wählen Sie zur Auswahl des Programms „HRC“ HRC1 die Taste „Prog“. Voreingestellte Höchstgeschwindigkeit beträgt 8 km/h.
HRC2: Voreingestellte Höchstgeschwindigkeit beträgt 12 km/h.
HRC3: Voreingestellte Höchstgeschwindigkeit beträgt 16.0 km/h.
Programm.
- Bei der Auswahl des Alters zeigt das Display „25“ an.
Zur Auswahl von: 1~99 die Tasten „Up/ Down“ drücken.

Zum Bestätigen die Taste „Mode“ drücken.
- Die Zielherzfrequenz wird anhand Ihres Alters angezeigt.
Zielherzfrequenz = $(220 - \text{Alter}) \times 0,6$.
Drücken Sie die „Speed + & -“ tasten“ um den Zielwert 60~200 zu ändern und drücken Sie zur Bestätigung die Taste „Mode“.
- Bei der Auswahl der Trainingszeit zeigt das Display „30:00“ an.
Drücken Sie zur Auswahl die „Speed + & -“ tasten“: 5:00~99:00“.
- Das Programm lässt sich mit der Taste „Start/Pause“ starten.

HRC-Betriebsfunktion:

- HRC-Programme beginnen nach einer einminütigen Aufwärmzeit. (Geschwindigkeit stellt sich nicht automatisch ein)
- Die Anfangsgeschwindigkeit beträgt 1,0 km/h, diese kann manuell auf eine angenehme Aufwärmzeit eingestellt werden.
- Die Konsole überprüft die Herzfrequenz alle 30 Sekunden und steuert die Geschwindigkeit wie folgt.

Herzfrequenz	Parameter	Geschwindigkeits-einstellung
29+ BPM	Unter Zielwert	+ 2,0 km/h
6~29 BPM	Unter Zielwert	+ 1,0 km/h
0~5 BPM	Unter Zielwert	Keine Anpassung
0~5 BPM	Über Zielwert	Keine Anpassung
6~29 BPM	Über Zielwert	- 1,0 km/h
29+ BPM	Über Zielwert	- 2,0 km/h

!! HINWEIS

- Die Steigungseinstellung wird im HRC-Programmmodus nicht geregelt, kann jedoch vom Benutzer jederzeit justiert werden, um so das Training zu intensivieren oder zu lockern.
- Die Geschwindigkeit kann vom Benutzer jederzeit geändert werden.
- Wenn die Geschwindigkeit über der voreingestellten Geschwindigkeitsbegrenzung liegt, wird sie automatisch an die voreingestellte Geschwindigkeitseinstellung angepasst.
- Wenn keine Herzfrequenz erfasst wird, beendet das Laufband das Training.

⚠ ACHTUNG

- Für diese Funktion muss die Herzfrequenz gemessen werden.

ERP-Funktion

Mit der ERP-Funktion kann Ihr Laufband im Ruhemodus automatisch deaktiviert werden, nachdem es 4:30 Minuten unbetätigt gewesen ist. Sie können diese Funktion folgendermaßen ein- und ausschalten:

- Wenn sich das Laufband im Startmodus befindet und die Taste „Mode“ drei Sekunden lang gedrückt wird, kann zwischen Ein- und Ausschaltmodus gewechselt werden.
 - Wenn das Display auf „1111“ steht, wird der Einschaltmodus angezeigt.
Das Gerät schaltet nach 4:30 Minuten Ruhezeit in den Standby-Modus.
 - Wenn das Display auf „2222“ steht, wird der Ausschaltmodus angezeigt.
Das Gerät schaltet nach 4:30 Minuten Ruhezeit nicht in den Standby-Modus.

⚠ ACHTUNG

- Wir empfehlen, die ERP-Funktion immer im Einschaltmodus zu belassen.

Metrische/angelsächsische Einstellung

Wenn die Display-Geschwindigkeit nicht den Erwartungen entspricht, ist das Gerät evtl. nicht richtig eingestellt.

Metrisch:	Min./ Max. Geschwindigkeit
	0.8 Km/h/ 24.0 km/h..
Angelsächsisch:	Min./ Max. Geschwindigkeit
	0.5 MIs/h/ 15.0 MIs/h.

Einheiten ändern

Im Modus "ON":

Halten Sie die Tasten "Prog" & "Speed -" 3 Sekunden lang gedrückt. Konsole zeigt S-01-Modus:

- 0.6 bei Wechsel in den angelsächsischen Modus.
- 1.0 bei Wechsel in den Metrische Modus.
- Halten Sie die „Mode“-Taste zwei Sekunden lang gedrückt, um die Einstellung zu ändern.

Drücken Sie die Taste "Start/ Pause", um die Einstellung zu bestätigen und wieder in den Benutzermodus zurückzukehren.



Klicken Sie hier, um unser unterstützendes YouTube-Video zu <https://youtu.be/KOxl5obz-RQ>

Bluetooth & APP

- Diese Konsole kann über Bluetooth eine Verbindung mit ein APP auf dem Smart-Gerät herstellen. (iOS & Android)
- Erstellen Sie die Bluetooth-Verbindung nur über den Verbindungsmodus auf die installierte APP auf ihr Smartphone oder Tablet

!! HINWEIS

- Tunturi bietet nur die Option an, die Fitness-Konsole über eine Bluetooth-Verbindung anzuschließen. Daher ist Tunturi nicht für Schäden oder Fehlfunktionen von Produkten verantwortlich, die nicht von Tunturi sind.
- Überprüfen Sie die Website für zusätzliche Informationen

Reinigung und Wartung

⚠ WARNUNG

- Ihr Trainer muss monatlich gewartet werden, auch wenn er nicht benutzt wird.
 - Ziehen Sie vor der Reinigung und Wartung den Netzstecker aus der Wandsteckdose.
 - Verwenden Sie zur Reinigung des Geräts keine Lösungsmittel.
 - Reinigung und Benutzerwartung dürfen nicht von Kindern ohne Aufsicht durchgeführt werden.
- Blockieren Sie nicht die Belüftungsöffnungen. Halten Sie die Belüftungsöffnungen frei von Staub, Schmutz und anderen Hindernissen.
 - Reinigen Sie das Gerät nach dem Gebrauch mit einem weichen aufnahmefähigen Lappen.
 - Reinigen Sie die sichtbaren Teile des Geräts mit einem Staubsauger mit kleiner Saugdüse.
 - Prüfen Sie regelmäßig, ob alle Schrauben und Muttern fest sind.

⚠ ACHTUNG

- Wir empfehlen Ihnen, auf Ihrem Laufband nur Hallenschuhe zu verwenden. Wenn Sie diese nicht haben, empfehlen wir Ihnen, die Sohlen Ihrer Schuhe zu überprüfen, bevor Sie sie auf dem Laufband benutzen, um sicherzustellen, dass sie sauber sind, da das Laufband nicht für Straßenschmutz geeignet ist.

Allgemeine Reinigung

Dreck, Staub und Tierhaare können die Ventilation verstopfen und sich auf dem Band sammeln. Monatlich: Unter dem Laufband staubsaugen.

VOR DER REINIGUNG STROMKABEL ABZIEHEN.

Bandstaub

Dies kommt bei normalem Einlaufen oder bei der Bandstabilisierung vor. Wischen Sie ihn mit einem feuchten Tuch auf.

Gurt und Lauffläche

Ihr Laufband hat ein sehr hocheffizientes reibungsarmes Band. Die Leistung wird erhöht, wenn die Lauffläche so sauber wie möglich ist. Schmutz- und Staubpartikel zwischen Laufdeck und Laufband beschädigen die Oberfläche des Laufdecks und beeinträchtigen die Leistung und Lebensdauer des Produkts.

Wie reinige ich ein Laufdeck?

Verwenden ein weiches, feuchtes Tuch oder Papier, um die Ecken des Gurts und den Bereich zwischen Gurt und Rahmen zu reinigen. Versuchen Sie, auch unter die Laufbandkanten zu greifen, um die Schmutzansammlung an den Kanten zu entfernen.

Wie reinigt man die Laufbandoberfläche?

Verwenden Sie zunächst eine Nylonbürste, um die losen Partikel von der Oberfläche des Laufbandes zu entfernen. Verwenden Sie dann ein ausgewrungenes feuchtes Tuch (keine Reinigungs- oder Scheuermittel), um die Oberseite des strukturierten Bandes vorsichtig zu reinigen. Das Band sollte vor der Nutzung getrocknet sein.

!! HINWEIS

- Wenn Ihr Band zu schmutzig ist, um es nur mit Wasser zu reinigen, können Sie eine milde Seife verwenden, aber niemals einen Schmierstofflöser.
- Verhindern Sie, dass sich die Lösung immer zwischen Laufdeck und Laufband befindet.

Dies sollten Sie einmal in Monat tun, um die Lebensdauer der Lauffläche zu erhalten.

Schmierung (Abb. F-6)

!! HINWEIS

- Das Laufband wird vor der Montage auf Ihrem Lauftrainer bei der Herstellung des Gerätes geschmiert. Daher ist es nicht erforderlich, das Laufband bei der erstmaligen Inbetriebnahme zu schmieren.

Das Laufband muss regelmäßig auf gute Schmierung geprüft werden. Daher wird die Treadmill mit einer Erinnerungsfunktion (alle 300 km) geliefert. Das Fenster „TIME“ zeigt „OIL“ an und es ertönt ein Piepton im 10-Sekundentakt, um Sie an die Prüfung zu erinnern. Folgen Sie dem Ablauf zur Prüfung und löschen Sie die „OIL“-Mitteilung und das Tonsignal, indem Sie die Taste „STOP“ mindestens 3 Sekunden lang gedrückt halten, während das Signal ausgegeben wird.

⚠ WARNUNG

- Ziehen Sie vor der Schmierung den Netzstecker aus der Wandsteckdose.

⚠ VORSICHT

- Wir empfehlen, die Laufmatten-Schmierung mindestens einmal im Monat zu überprüfen da die Schmierungsbedingungen von mehreren Faktoren beeinflusst werden können.
- Schmieren Sie das Laufband nur, wenn dies erforderlich ist. Wird zu viel Schmiermittel aufgetragen, kann das Laufband aufgrund mangelnder Reibung leicht durchrutschen.

- Stellen Sie sich ruhig auf das Laufband.
- Halten Sie sich am vorderen Handgriff fest und schieben Sie das Laufband mit Ihren Füßen nach vorne und hinten. Das Laufband muss sich geschmeidig und gleichmäßig ohne Geräusentwicklung bewegen.
- Falls sich das Laufband nicht geschmeidig und gleichmäßig bewegt, oder falls es sich überhaupt nicht bewegt, fassen Sie mit den Fingerspitzen an die Unterseite des Laufbandes, um die Schmierung zu kontrollieren:



- Falls Sie Schmiermittel fühlen können oder falls Ihre Fingerspitzen glänzen, ist genügend Schmiermittel am Laufband vorhanden.
- Falls Sie kein Schmiermittel mit Ihren Fingerspitzen fühlen können oder falls die Fingerspitzen staubig und rau sind, tragen Sie Schmiermittel (± 10 ml.) in der Mitte des Laufwerks unter dem Laufband auf und lassen Sie das Gerät mit ca. 5 km/h mindestens 5 Minuten lang laufen.
- Klappen Sie das Gerät nach dem Schmieren erst zusammen, wenn Sie zwei Minuten lang mit einer Geschwindigkeit von mindestens 5 km/h trainiert haben.
Dadurch wird das Schmiermittel vollständig vom laufenden Band aufgenommen und gleichmäßig verteilt.

!! HINWEIS

- Wenn Ihnen 5 km/h zu schnell sind, nehmen Sie Ihr Wunschtempo, aber verlängern Sie die Dauer auf mindestens 5 Minuten.



Klicken Sie hier, um unser unterstützendes YouTube-Video zu sehen. <https://youtu.be/ceaOYnofY5k>

Gurteinstellungen

Die Leistung Ihres Laufbands hängt davon ab, dass es auf einer geraden Oberfläche läuft. Wenn der Rahmen nicht gerade ist, können die vorderen und hinteren Rollen nicht parallel laufen und das Band muss immer nachgestellt werden.

Das Laufband wurde so entwickelt, dass das Band immer in der Mitte läuft. Bei einigen Bändern ist es normal, dass das Band zu einer Seite zieht, wenn keine Person darauf läuft. Nach ein paar Minuten der Nutzung sollte sich das Band von alleine zentriert haben. Wenn der Gurt bei der Nutzung zu einer Seite zieht, muss dies eingestellt werden.

AUSNAHME

In der Reha, bei der Benutzer ein Bein stärker belasten als das andere, kann es vorkommen, dass das Band zu einer Seite zieht. In diesen Fällen sollten Sie das Band nicht einstellen, es sei denn, das Band verläuft bei normaler Nutzung nicht mehr zentral.

Einstellung der Gurtspannung

Die Einstellung wird an der hinteren Rolle vorgenommen. Die Einstellungsschrauben befinden sich am Ende der Schienen in den Endkappen.

- Ziehen Sie die hinteren Rollenschrauben (im Uhrzeigersinn) soweit fest, dass ein Abrutschen von der vorderen Rolle verhindert wird. Drehen Sie beide Laufband-Zugspannungseinstellungsschrauben stufenweise um 1/4-Umdrehung und überprüfen Sie jeweils die Zugspannung, indem Sie bei geringer Geschwindigkeit auf dem Band laufen. Das Band sollte nicht verrutschen. Ziehen Sie die Schrauben soweit an, dass das Band nicht mehr verrutscht.
- Wenn Sie das Gefühl haben, dass das Band genügend gespannt ist, aber immer noch verrutscht, könnte die Ursache ein loses Motorantriebsband unter der vorderen Abdeckung sein.
- Nicht Überspannen
Eine Überspannung führt zu Schäden am Band und vorzeitigem Verschleiß der Lager.



Klicken Sie hier, um unser unterstützendes YouTube-Video zu sehen. https://youtu.be/pp4_4bL1MXo

Zentrieren Sie das Laufband (Abb. F-5)

Das Zentrieren des Laufbandes ist erforderlich, wenn Ihr Laufband nicht in der Mitte der Lauffläche verläuft. Dies ist leicht zu erkennen, wenn der Spalt zwischen Seitenpodest und Laufband auf einer Seite deutlich größer ist als auf der anderen Seite.

Dies kann (folgende) Ursachen haben:

URSACHE 1

Sie setzen ein Bein beim Abstoßen während des Trainings stärker ein. Dies führt dazu, dass das Band zur Seite geschoben wird, was sich aber von selbst korrigiert, wenn man das laufende Band einige Minuten unbelastet laufen lässt.

URSACHE 2

Ihr Laufband ist nicht waagrecht ausgerichtet, so dass die Schwerkraft das Laufband langsam an das unterste Ende des Laufbands zieht. Dies muss durch eine korrekte Nivellierung des Laufbandes korrigiert werden, da dies durch keine andere Einstellung behoben werden kann.

URSACHE 3

Das Laufband ist nicht richtig zwischen der vorderen und hinteren Rollentrommel zentriert. Dies muss korrigiert werden, indem die Laufbandführung wie unten beschrieben eingestellt wird.

Um die Spur des Laufbandes einzustellen, verwenden Sie den Inbusschlüssel, der mit Ihrem Laufband geliefert wurde.

- Stellen Sie Ihr Laufband auf eine Geschwindigkeit von ± 5 km/h ein und laufen Sie nicht darauf.
- Wenn das Laufband nach rechts läuft, drehen Sie die linke Einstellschraube der hinteren Walze, die sich am hinteren Ende in einer Buchse in der hinteren Walzenabdeckung befindet, um 1/4 Umdrehung gegen den Uhrzeigersinn.
- Wenn das Laufband nach links läuft, drehen Sie die rechte Einstellschraube der hinteren Walze, die sich am hinteren Ende in einer Buchse in der hinteren Walzenabdeckung befindet, 1/4 Umdrehung gegen den Uhrzeigersinn.
- Warten Sie ± 2 Minuten, um dem laufenden Band Zeit zu geben, auf die Einstellung zu reagieren, bevor Sie die Einstellschritte wiederholen, falls erforderlich, um das gewünschte Ergebnis zu erzielen.

!! HINWEIS

- Denken Sie daran, dass eine kleine Anpassung einen großen Unterschied machen kann, also nehmen Sie die Anpassungen in kleinen Schritten vor.



Klicken Sie hier, um unser unterstützendes YouTube-Video zu sehen. <https://youtu.be/qx5AvTv00J4>

Das Band muss möglicherweise regelmäßig nachgestellt werden, je nach Nutzungs- und Laufverhalten. Verschiedene Benutzer wirken unterschiedlich auf das Band. Sie müssen das Band so einstellen, dass es in der Mitte der Fläche verläuft. Die Einstellungen werden im Laufe der Nutzung weniger aufwändig. Eine richtige Bandspurführung liegt in der Verantwortung des Besitzers.

!! HINWEIS

- Schäden am Laufband durch fehlerhafte spur-/ zugeinstellungen, sind nicht von der Garantie abgedeckt.

Betriebs- störungen

Trotz kontinuierlicher Qualitätsüberwachung können vereinzelt an den Geräten durch einzelne Komponenten verursachte Funktionsstörungen auftreten. Dabei ist es nicht angebracht, das ganze Gerät zur Reparatur zu bringen, da der Fehler meistens durch Austauschen der defekten Komponente behoben werden kann.

Wenn das Gerät während des Gebrauchs nicht einwandfrei funktioniert, wenden Sie sich bitte umgehend an die für Sie zuständige Tunturi- Alleinvertretung. Beschreiben Sie das Problem, die Einsatzbedingungen und teilen Sie das Kaufdatum und die Typenbezeichnung und die Seriennummer Ihres Gerätes mit.

Wenden Sie sich an Ihre nationale Tunturi-Vertretung, wenn Sie Ersatzteile benötigen. Beschreiben Sie die Einsatzbedingungen und teilen Sie das Kaufdatum und die Seriennummer des Gerätes mit. Die Ersatzteilnummern finden Sie in der Liste am Ende dieser Anweisung. Nur Teile in der Ersatzteilliste dürfen verwendet werden.

Fehlercodes

Falls in der Anzeige ein Fehlercode erscheint (durch "E" + Nummer erkennbar), starten Sie das Gerät neu und prüfen Sie, ob in der Anzeige der Fehlercode immer noch steht. Falls in der Anzeige der Fehlercode immer noch steht, wenden Sie sich unverzüglich an Ihren Händler.

Oil

OIL ist kein Fehlercode, siehe "Schmierung"

E5

Bedeutet eine Stromstörung.

Bei einem Neustart des Laufbandes T90 ist es wichtig, mindestens 30 Sekunden abzuwarten. Das Laufband muss mindestens 30 Sekunden ausgeschaltet sein, bevor es wieder eingeschaltet werden kann.

Wenn zu schnell eingeschaltet wird, erscheint immer E5. Dies liegt daran, dass der AC-Motorregler mehr Zeit zum vollständigen Abschalten benötigt und die Verarbeitung auch dann weiterführt, wenn die Konsole schon mindestens 15 Sekunden lang abgeschaltet ist.

Beheben Sie das Problem, indem Sie das Laufband durch Ausschalten des Netzschalters abschalten. Warten Sie 30 Sekunden und stellen Sie den Netzschalter wieder auf ON. Der E5-Fehlercode sollte nicht mehr angezeigt werden.

Falls der Fehlercode weiterhin angezeigt wird, wenden Sie sich an Ihren Händler.

E7

Die Konsole zeigt den E7-Code an, wenn der Sicherheitsschlüssel nicht in Position ist.

E7 ist kein Fehlercode, siehe "Sicherheitsschlüssel"

Transport und Lagerung

⚠️ WARNUNG

- Ziehen Sie vor der Reinigung und Wartung den Netzstecker aus der Wandsteckdose.
- Tragen und bewegen Sie das Gerät mit mindestens zwei Personen.
- Vergewissern Sie sich, dass sich keine Personen oder Gegenstände unter dem Gerät befinden.
- Vergewissern Sie sich beim Zusammenklappen des Geräts, dass Sie hören, wie das Gerät in seiner Position arretiert, um zu verhindern, dass das Gerät zurückfällt.

⚠️ VORSICHT

- Vergewissern Sie sich vor dem Zusammenklappen des Geräts, dass die Steigung 0% beträgt. Beträgt die Steigung nicht 0%, wird der Mechanismus beim Zusammenklappen beschädigt.
- Bewegen Sie das Gerät wie angegeben (Abb. F3). Bewegen Sie das Gerät und setzen Sie es vorsichtig ab. Stellen Sie das Gerät auf eine schützende Unterlage, um Schäden am Bodenbelag zu vermeiden. Bewegen Sie das Gerät vorsichtig über unebene Böden. Bewegen Sie das Gerät nicht auf den Rädern Treppen herauf, sondern tragen Sie es an den Handgriffen.
- Lagern Sie das Gerät in aufrechter Position (Abb. F1). Lagern Sie das Gerät an einem trockenen Ort mit möglichst wenig Temperaturschwankungen.

Garantie

Eigentümer-garantie für Tunturi fitnessgeräte.

Garantiebedingungen

Der Käufer hat Anspruch auf die anwendbaren Bestimmungen, die in der jeweiligen nationalen Gesetzgebung für den Handel mit Konsumgütern festgelegt sind. Diese Garantie schränkt diese Rechte nicht ein. Die Garantie des Käufers gilt nur, wenn der Artikel in einer Umgebung verwendet und nach Anweisung gewartet wird, die von Tunturi New Fitness BV für dieses Gerät genehmigt wurde. Die produktspezifisch zugelassene Umgebung und Wartungshinweise sind im "Benutzerhandbuch" des Produkts angegeben. Das "Benutzerhandbuch" kann von unserer Website heruntergeladen werden. <http://manuals.tunturi.com>

Garantiedauer

Die Garantie gilt ab Kaufdatum. Die Garantiedauer kann sich je nach Land unterscheiden. Bitte wenden Sie sich an Ihren zuständigen Händler, um die Garantiedauer zu erfahren.

Garantieumfang

Unter keinen Umständen haften die Tunturi New Fitness BV oder der Tunturi-Vertragshändler für dem Käufer möglicherweise zugefügte indirekte Schäden wie Gebrauchsbeeinträchtigung oder Einkommensverlust oder anderen wirtschaftlichen Folgeschäden.

Einschränkungen der garantie

Die Garantie deckt durch Herstellung oder Material hervorgerufene Fehler des Fitnessgeräts in dessen ursprünglicher Zusammensetzung. Unter Voraussetzung, dass die Aufbau-, Pflege- und Gebrauchsanweisungen von Tunturi befolgt wurden, erstreckt sich die Garantie auf solche Fehler, die bei normaler und einem dem Gerät beiliegenden Anleitungsbuch entsprechender Benutzung auftreten können. Die Tunturi New Fitness BV und der Tunturi-Vertragshändler haften nicht für Fehler, die durch Faktoren außerhalb ihrer Einflussmöglichkeiten hervorgerufen wurden. Die Garantie gilt nur

für den ursprünglichen Eigentümer und nur in den Ländern, in denen es einen von der Tunturi New Fitness BV autorisierten Importeur gibt. Die Garantie gilt nicht für solche Fitnessgeräte oder Teile, an denen ohne Zustimmung der Tunturi New Fitness BV Veränderungen vorgenommen worden sind. Die Garantie betrifft auch nicht solche Schäden, die durch natürlichen Verschleiß, fehlerhaften Gebrauch, Benutzung unter für das Gerät nicht vorgesehenen Umständen, Korrosion, Verladung oder Transport hervorgerufen wurden.

Ersatzleistungen aufgrund von Geräuschen, die beim Einsatz des Geräts auftreten, sind von der Garantie ausgeschlossen, sofern diese Geräusche den Gebrauch des Geräts nicht wesentlich beeinträchtigen und nicht durch einen Gerätefehler bedingt sind.

Die Garantie beinhaltet keine Wartungsmaßnahmen, wie Reinigung, Schmieren oder normales Kontrollieren der Teile, auch nicht solche Aufbaumaßnahmen, die der Kunde selbst ausführen kann und die kein spezielles Auseinander- oder Zusammenbauen des Fitnessgeräts erfordern. Zu solchen Maßnahmen gehört beispielsweise das Austauschen von Cockpits, Pedalen oder anderer entsprechender einfacher Teile. Andere als die durch einen autorisierten Tunturi-Vertreter ausgeführten Garantieleistungen werden nicht ersetzt. Durch unsachgemäße, d.h. nicht der Bedienungsanleitung entsprechenden, Bedienung, verfällt jedweder Garantieanspruch.

Technische Daten

Parameter	Maßeinheit	Wert
Netzspannung	VAC	210~240
Netzfrequenz	HZ	50~60
Geschwindigkeit	Km/H	0.8~24.0
Steigung	Schritt	0~15
Länge / (zusammengeklappt)	Cm	192.4 / (137.0)
Länge / (zusammengeklappt)	Inch	75.7 / (53.9)
Breite	Cm	92.1
Breite	Inch	36.3
Höhe / (zusammengeklappt)	Cm	149.1 / (155.0)
Höhe / (zusammengeklappt)	Inch	58.7 / (61.0)
Gewicht	Kg	117.0
Gewicht	Lbs	257.9
Max. Benutzergewicht	Kb	150
Max. Benutzergewicht	Lbs	330
Herzdatenmessung verfügbar über:	Handgriffkontakt	Ja
	5.0 Khz	Nein
	5,3 Khz.	Nein
	Bluetooth (BLE)	Ja
	ANT+	Nein

!! HINWEIS

- Die Produktabmessungen und Funktionsmaße entnehmen Sie bitte der Abbildung J

Herstellereklärung

Tunturi New Fitness BV erklärt, dass das Signature T90 Laufband den folgenden Normen und Richtlinien entspricht:

- RoHS-Richtlinie (2011/65/EU)
- Maschinenrichtlinie (2006/42/EC)

Hiermit erklärt Tunturi New Fitness BV, dass das Funkgerät Signature T90 Laufband der Richtlinie entspricht 2014/53/EU.

Die Konformitätserklärung mit allen Normen und Richtlinien kann auf unserer Website heruntergeladen werden: <https://doc.tunturi.com>

Tunturi New Fitness BV
Purmerweg 1
1311 XE Almere
Die Niederlande

Haftungsausschluss

Haftungsausschluss

© 2025 Tunturi New Fitness BV
Alle Rechte vorbehalten.

- Produkt und Handbuch können geändert werden.
- Die technischen Daten können ohne Vorankündigung geändert werden.
- Auf unserer Website finden Sie die neueste Version des Benutzerhandbuchs.

Français

Ce manuel français est une traduction de la version anglaise. Notez que la version anglaise est en tête dans le contenu lorsque des différences sont trouvées.

Indice

Bienvenue	41
Avertissements de sécurité	41
Sécurité électrique	42
Instructions de montage	42
Illustration de description A	42
Illustration de description B	42
Illustration de description C	42
Illustration de description D	42
Accessoires (fig. H)	43
Informations complémentaires de montage	43
Informations environnementale supplémentaires	43
Exercices	43
Instructions d'entraînement	43
Fréquence cardiaque	44
Usage	44
Réglage des pieds de support.....	45
Interface de l'utilisateur (fig. E-1)	45
Boutons	45
Explication des éléments d'affichage.....	46
Explications des bips acoustiques à l'écran	46
Fonction USB.....	46
Programmes	46
Quick start (démarrage rapide)	46
Mode compte à rebours cible (P0).....	47
Fin de l'entraînement	47
Programmes pré-réglés (P1-P36).....	47
Programmes d'utilisateur (U01-U03)	47
Body Fat	47
Programme HRC (contrôle du rythme cardiaque).....	48
Fonction ERP	48
Système métrique/impérial	48
Bluetooth & APP	49
Nettoyage et maintenance	49
Nettoyage général	49
Tapis et surface	49
Lubrification (fig. F-6)	49
Réglages de la courroie de course.....	50
Defaults de fonctionnement	50
Codes d'erreur	50
Oil.....	51
E5	51
E7	51
Transport et rangement	51
Garantie	51
Données techniques	52
Déclaration du fabricant	52
Limite de responsabilité	52

Bienvenue

Bienvenue dans l'univers de Tunturi Fitness !

Merci pour votre achat de cet élément d'équipement Tunturi.

Tunturi offre toute une gamme d'équipements de fitness professionnels, notamment des vélos elliptiques, tapis de course, vélos d'appartement, rameurs, bancs de musculation, multi stations et accessoires. Les équipements Tunturi sont parfaits pour toute la famille, quel que soit le niveau de forme de ses membres. Pour en savoir plus, visitez notre site Web www.tunturi.com

Consignes de sécurité importantes

Lisez attentivement ce mode d'emploi avant d'assembler, d'utiliser ou d'effectuer l'entretien de votre appareil sportif. Veuillez conserver ce guide, il contient les renseignements dont vous aurez besoin, maintenant et plus tard, pour utiliser et entretenir votre appareil. Suivez toujours les instructions très rigoureusement.

Avertissements de sécurité

⚠ AVERTISSEMENT

- Lisez les avertissements de sécurité et les instructions. Le non respect des avertissements de sécurité et des instructions est une source de blessure et de dégâts de l'équipement. Conservez les avertissements de sécurité et les instructions pour référence ultérieure.

⚠ AVERTISSEMENT

- Les systèmes de suivi de la fréquence cardiaque peuvent être inexacts. Un exercice excessif peut entraîner des blessures graves voire mortelles. Si vous vous sentez défaillir, interrompez immédiatement l'exercice.
- L'équipement est adapté à un usage domestique et professionnel uniquement (par ex. hôpitaux, caserne de pompiers, hôtels, écoles, etc.).
- Cet appareil peut être utilisé par des enfants âgés de 8 ans et plus et par des personnes ayant des capacités physiques, sensorielles ou mentales réduites ou manquant d'expérience et de connaissances s'ils ont reçu une surveillance ou des instructions concernant l'utilisation de l'appareil de manière sûre et comprennent les dangers encourus.
- Les enfants doivent être surveillés pour s'assurer qu'ils ne jouent pas avec l'appareil.
- Avant de commencer vos exercices, effectuez un bilan de santé auprès d'un médecin.
- Si vous êtes pris de nausées ou de vertiges ou sentez d'autres symptômes normaux pendant l'entraînement, interrompez immédiatement la session et consultez votre médecin.
- Afin d'éviter toutes douleurs et tensions musculaires, commencez vos séances par des échauffements et terminez-les par une récupération. N'oubliez pas de vous étirer après vos exercices.
- L'équipement est uniquement adapté à un usage intérieur. L'équipement ne convient pas à un usage extérieur.
- Utilisez l'équipement uniquement dans des environnements correctement ventilés. N'utilisez pas l'équipement dans des endroits exposés aux courants d'air afin de ne pas vous enrhumier.
- Utilisez l'équipement uniquement à une température ambiante entre 10 °C~35 °C. Rangez l'équipement uniquement à une température ambiante entre 5 °C~45 °C.
- N'utilisez et ne rangez pas l'équipement dans un environnement humide. L'humidité de l'air ne doit jamais dépasser 80 %.
- Utilisez l'équipement uniquement pour son usage prévu. N'utilisez pas l'équipement pour d'autres usages que ceux décrits dans le manuel.

- N'utilisez pas l'équipement si l'une de ses pièces est endommagée ou défectueuse. Si une pièce est endommagée ou défectueuse, contactez votre revendeur.
- Maintenez vos mains, vos pieds et les autres parties de votre corps à l'écart des pièces mobiles.
- Maintenez votre chevelure à l'écart des pièces mobiles.
- Portez des vêtements et des chaussures adaptés.
- Maintenez les vêtements, bijoux et autres objets à l'écart des pièces mobiles.
- Assurez-vous qu'une seule personne utilise l'équipement à la fois. L'équipement ne doit pas être utilisé par des personnes pesant plus de 150 kg (330 lbs).
- N'ouvrez pas l'équipement sans consulter votre revendeur.

Sécurité électrique

(Uniquement pour les équipements à alimentation électrique)

- Avant usage, assurez-vous toujours que la tension secteur est identique à celle de la plaque signalétique de l'équipement.
- N'utilisez pas de rallonge.
- Maintenez le câble secteur à l'écart de la chaleur, de l'huile et des bords coupants.
- N'altérez et ne modifiez aucunement le câble secteur ou la fiche secteur.
- N'utilisez pas l'équipement si le câble secteur ou la fiche secteur est endommagé ou défectueux. Si le câble secteur ou la fiche secteur est endommagé ou défectueux, contactez votre revendeur.
- Déroulez toujours complètement le câble secteur.
- Ne passez pas le câble secteur sous l'équipement. Ne passez pas le câble secteur sous un tapis. Ne placez aucun objet sur le câble secteur.
- Assurez-vous que le câble secteur ne pend pas sur le bord d'une table. Assurez-vous que le câble secteur ne peut pas être happé par accident ou faire trébucher.
- Ne laissez pas l'équipement sans surveillance si la fiche secteur est insérée dans la prise murale.
- Ne tirez pas sur le câble secteur pour retirer la fiche secteur de la prise murale.
- Retirez la fiche secteur de la prise murale lorsque l'équipement n'est pas utilisé, avant l'assemblage et le démontage et avant le nettoyage et la maintenance.

⚠ AVERTISSEMENT

- Une variation de tension d'au moins dix pour cent (10 %) peut avoir une incidence sur les performances du tapis de course. De telles conditions ne sont pas couvertes par votre garantie. Si vous avez l'impression que la tension est trop basse, vous devez contacter votre compagnie d'électricité ou un électricien qualifié pour tester le circuit électrique.

⚠ AVERTISSEMENT

- Éloignez de câble d'alimentation de toute pièce mobile du tapis de course, y compris du mécanisme d'inclinaison et des roulettes destinées au transport.

⚠ AVERTISSEMENT

- N'utilisez jamais d'eau ou tout autre liquide directement sur ou à proximité de l'équipement, mais uniquement à l'aide d'un chiffon humide si cela est nécessaire pour nettoyer la machine.
- L'utilisation directe de liquide est nocive pour les composants de l'équipement et peut entraîner un choc électrique causé par un court-circuit. Cela pourrait entraîner des blessures graves, voire mortelles.
- L'appareil ne doit être utilisé qu'avec le cordon d'alimentation fourni avec l'appareil.

Instructions de mise à la terre

Ce produit doit être mis à la terre. Si le système électrique du tapis de course présente une défaillance ou une panne, sa mise à la terre fournit un chemin de moindre résistance au courant électrique, réduisant ainsi le risque de décharge électrique. Ce produit est équipé d'un câble pourvu d'une fiche de terre. Cette fiche doit être branchée dans une prise appropriée, correctement installée et mise à la terre conformément aux normes et règlements locaux.

⚠ AVERTISSEMENT

- Un branchement inadéquat du conducteur de terre peut entraîner des risques de décharge électrique. Veuillez consulter un électricien qualifié si vous avez des doutes sur la mise à la terre du produit selon les règles. Ne modifiez pas la fiche fournie avec le produit lorsqu'elle n'entre pas dans la prise ; faites installer une prise adéquate par un électricien qualifié.

Instructions de montage

Illustration de description A

Cette illustration montre ce à quoi le trainer ressemblera une fois le montage terminé.

Vous pouvez l'utiliser au titre de référence lors du montage mais suivez bien les étapes de montage dans l'ordre indiqué tel que les illustrations le montrent.

Illustration de description B

Cette illustration montre les composants et les pièces que vous devez trouver après avoir déballé le produit.

!! REMARQUE

- Les petites pièces peuvent être cachées/rangées dans des espaces de la protection en polystyrène du produit.
- Si une pièce manque, contactez votre revendeur.

Illustration de description C

Cette illustration montre le kit de quincaillerie fourni avec le produit. Le kit de quincaillerie contient des boulons, des rondelles, des vis, des écrous, etc. ainsi que les outils vous permettant d'installer correctement votre trainer.

Illustration de description D

Ces illustrations vous indiquent l'ordre de montage correct pour monter votre trainer.

⚠ AVERTISSEMENT

- Assemblez l'équipement dans l'ordre indiqué.
- Deux personnes au moins sont nécessaires pour transporter et déplacer l'équipement.

⚠ PRÉCAUTION

- Placez l'équipement sur une surface plane et ferme.
- Placez l'équipement sur une base protectrice pour éviter d'endommager la surface du sol.
- Prévoyez un dégagement d'au moins 100 cm autour de l'équipement.
- Consultez les illustrations pour l'assemblage correct de l'équipement.

!! NOTE

- Conservez les outils livrés avec ce produit après son montage, pour d'éventuels entretiens.

Accessoires (fig. H)

!! REMARQUE

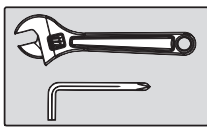
- L'illustration indique à quoi ressemblera l'appareil avec les mains courantes étendues appropriées.
- Les mains courantes étendues supplémentaires peuvent être achetées comme accessoire.
- Article n° : 22TRNRH000

Contactez votre revendeur pour obtenir plus d'informations.

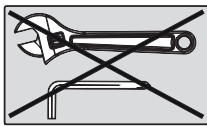
Informations complémentaires de montage

Serrer les écrous et les boulons/vis

Pour éviter que les parties du cadre montées ne soient pas correctement alignées, il est conseillé d'effectuer les premières étapes suivantes avant de serrer complètement les écrous et les boulons. Cela permet de conserver la possibilité de repositionner des pièces déjà montées, ce qui facilite le déroulement de l'assemblage. Il est donc conseillé de suivre les instructions ci-dessous.



Serrez fermement tous les écrous et vis après que tous les composants aient été assemblés au cours des étapes actuelles et précédentes.



Ne pas serrer les écrous et les vis/boulons à cette étape. Un serrage à la main suffit.

Informations environnementale supplémentaires

Élimination des emballages

Les réglementations gouvernementales nous demandent de réduire la quantité de matériaux déposés dans les décharges. C'est pour cela que nous faisons appel à votre responsabilité et vous demandons de déposer les emballages dans des centres de recyclage publics.

Élimination du produit

Chez Tunturi, nous espérons que vous profiterez longtemps de votre appareil de fitness. Cependant, nous savons bien qu'un jour ou l'autre votre machine arrivera au terme de sa vie utile. Selon la directive européenne sur les DEEE, vous êtes responsable de vous séparer correctement de votre appareil de fitness en le déposant dans un site public agréé de récupération des déchets.

Exercices

Un exercice doit être suffisamment léger mais prolongé. L'exercice aérobic repose sur l'amélioration de l'absorption maximum d'oxygène par le corps, améliorant à son tour l'endurance et la forme. Vous devez transpirer mais sans jamais être à bout de souffle durant l'exercice.

Pour atteindre et entretenir un niveau de forme basique, exercez-vous au moins 3 fois par semaine, par session de 30 minutes. Accroissez le nombre des sessions d'exercice pour améliorer votre niveau de forme. Il est profitable de combiner un exercice régulier et un régime sain. Une personne suivant un régime doit s'exercer au quotidien, au début 30 minutes ou moins pour chaque session afin d'accroître ensuite progressivement le temps d'exercice quotidien pour atteindre une heure. Commencez vos exercices à une vitesse lente et avec une faible résistance pour éviter de soumettre le système cardiovasculaire à une contrainte excessive. À mesure de l'amélioration de votre

forme, accroissez progressivement la vitesse et la résistance. L'efficacité de votre exercice est mesurable en suivant votre fréquence cardiaque et votre pouls.

Instructions d'entraînement

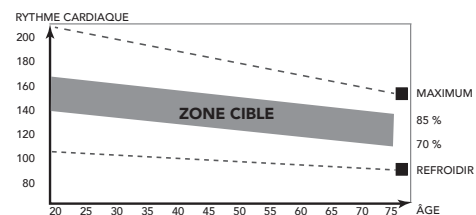
L'utilisation de votre appareil de fitness vous procurera plusieurs avantages : il vous permettra d'améliorer votre forme physique, de tonifier vos muscles et, associé à un régime hypocalorique, de perdre du poids.

Phase d'échauffement

Cette étape favorise la circulation du sang dans tout le corps et le bon fonctionnement des muscles. Elle réduit également le risque de crampes et de lésions musculaires. Il est conseillé de faire quelques exercices d'étirement, comme ceux qui sont indiqués ci-dessous. Chaque étirement doit être maintenu pendant environ 30 secondes. Ne forcez pas ou n'étirez pas excessivement un muscle. Si vous sentez qu'une position vous fait mal, ARRÊTEZ.

Phase d'exercice

C'est l'étape principale de votre entraînement. Après une utilisation régulière de l'appareil, vous sentirez que les muscles de vos jambes ont gagné en souplesse. Il est très important de maintenir un rythme régulier tout au long de la séance. Le rythme de travail doit être suffisant pour faire monter votre rythme cardiaque dans la zone cible indiquée sur le graphique ci-dessous.



Cette étape doit durer au moins 12 minutes, bien que l'on commence généralement à environ 15-20 minutes.

Phase de refroidissement

Cette étape a pour objectif de laisser votre système cardiovasculaire et vos muscles reprendre leur rythme normal. Il s'agit d'une répétition de l'exercice d'échauffement. Baissez le rythme et continuez pendant environ 5 minutes. Vous devez ensuite refaire les exercices d'étirement et souvenez-vous de ne pas forcer ou trop étirer un muscle dans une certaine position.

À mesure que vous améliorerez votre forme, vous ressentirez peut-être le besoin de vous entraîner plus longtemps ou de faire des entraînements plus poussés.

Il est conseillé de s'entraîner au moins trois fois par semaine et, si possible, d'espacer les séances régulièrement tout au long de la semaine.

Tonification musculaire

Pour tonifier vos muscles à l'aide de l'appareil de fitness, vous devrez sélectionner une résistance assez élevée. Les muscles de vos jambes seront davantage sollicités et vous ne pourrez peut-être pas vous entraîner aussi longtemps que vous le voudriez. Si vous souhaitez également améliorer votre forme, vous devrez modifier votre programme d'entraînement. Entraînez-vous normalement pendant les phases d'échauffement et de refroidissement, mais vers la fin de l'exercice, augmentez la résistance en faisant travailler vos jambes davantage. Vous devrez réduire la vitesse pour maintenir votre rythme cardiaque dans la zone cible.

Perte de poids

Ici, le facteur important est l'effort que vous déployez. Plus vous entraînez longtemps et de manière soutenue, plus vous brûlerez de calories. C'est en réalité le même principe que pour l'entraînement d'amélioration de la forme ; la différence est l'objectif recherché.

Fréquence cardiaque

Mesure du pouls (pulsomètres)

Le pouls est mesuré par des capteurs dans les poignées lorsque l'utilisateur touche les deux capteurs à la fois.

La mesure la plus précise du pouls nécessite une peau légèrement humide et un contact constant des pulsomètres. Si la peau est trop sèche ou humide, la mesure du pouls peut devenir moins précise.

!! REMARQUE

- N'utilisez pas les pulsomètres en même temps que la sangle thoracique de fréquence cardiaque.
- Si vous réglez une fréquence cardiaque limite pour votre exercice, une alarme retentit dès qu'elle est dépassée.

Mesure de la fréquence cardiaque (sangle thoracique de fréquence cardiaque)

!! NOTE

- Une sangle de poitrine ne vient pas standard avec cet entraîneur. Lorsque vous souhaitez utiliser une sangle de poitrine sans fil, vous devez l'acheter en tant qu'accessoire.

La sangle thoracique de fréquence cardiaque assure la mesure de fréquence cardiaque la plus précise. La fréquence cardiaque est mesurée par un récepteur combiné à la sangle thoracique de fréquence cardiaque. Une mesure précise de la fréquence cardiaque nécessite des électrodes de sangle émettrice légèrement humides et en contact constant avec la peau. Si les électrodes sont trop sèches ou humides, la mesure de la fréquence cardiaque peut devenir moins précise.

⚠ AVERTISSEMENT

- Si vous portez un stimulateur cardiaque, consultez votre médecin avant d'utiliser une sangle thoracique de fréquence cardiaque.

⚠ PRÉCAUTION

- Si plusieurs dispositifs de mesure de la fréquence cardiaque sont proches les uns des autres, assurez-vous qu'ils sont au moins distants de 2 mètres.
- En présence d'un récepteur unique de fréquence cardiaque pour plusieurs émetteurs, assurez-vous qu'une seule personne avec un émetteur est à portée de transmission.

!! NOTE

- N'utilisez pas les pulsomètres en même temps que la sangle thoracique de fréquence cardiaque.
- Portez toujours la sangle thoracique de fréquence cardiaque sous vos vêtements, en contact direct avec votre peau. Ne portez pas votre sangle thoracique de fréquence cardiaque par-dessus vos vêtements. Si vous portez la sangle thoracique de fréquence cardiaque sur vos vêtements, il n'y a pas de signal.
- Si vous réglez une fréquence cardiaque limite pour votre exercice, une alarme retentit dès qu'elle est dépassée.
- L'émetteur transmet la fréquence cardiaque à une console jusqu'à une distance de 1,5 mètre. Si les électrodes ne sont pas suffisamment mouillées, votre fréquence cardiaque ne s'affiche pas.
- Certaines fibres des vêtements (par ex. polyester, polyamide) créent de l'électricité statique qui peut empêcher la mesure précise de la fréquence cardiaque.

- Les téléphones portables, télévisions et autres appareils électriques créent un champ électromagnétique susceptible d'empêcher une mesure précise de la fréquence cardiaque.

Fréquence cardiaque maximum (durant l'exercice)

La fréquence cardiaque maximum est la fréquence la plus élevée qu'une personne peut atteindre en toute sécurité sous la contrainte de l'exercice. La formule suivante sert à calculer la fréquence cardiaque maximum moyenne : $220 - \text{ÂGE}$ La fréquence cardiaque maximum varie d'une personne à l'autre.

⚠ AVERTISSEMENT

- Assurez-vous de ne pas dépasser votre fréquence cardiaque maximum durant l'exercice. Si vous appartenez à un groupe à risque, consultez un médecin.

Débutant

50-60% de fréquence cardiaque maximum

Adapté aux débutants, aux personnes suivant leur poids, aux convalescents et aux personnes ne s'exerçant pas depuis un certain temps. Exercez-vous au moins trois fois par semaine, par session de 30 minutes.

Avancé

60-70% de fréquence cardiaque maximum

Adapté aux personnes souhaitant améliorer et entretenir leur forme. Exercez-vous au moins trois fois par semaine, par session de 30 minutes.

Expert

70-80% de fréquence cardiaque maximum

Adapté aux personnes les plus en forme, habituées aux exercices d'endurance prolongés.

Usage

Interrupteur d'alimentation principale (fig. E-2A)

L'équipement comporte un interrupteur d'alimentation principale pour le mettre complètement hors tension.

Démarrage de l'équipement:

- Insérez la fiche secteur dans l'équipement.
- Insérez la fiche secteur dans la prise murale.
- Positionnez l'interrupteur d'alimentation principale sur marche (ON).

Arrêt de l'équipement :

- Positionnez l'interrupteur d'alimentation principale sur arrêt (OFF).
- Retirez la fiche secteur de la prise murale.
- Retirez la fiche secteur de l'équipement.

Clé de sécurité (Fig F-4)

L'appareil est équipé d'une clé de sécurité qui doit être correctement insérée dans la console pour le démarrer. Si votre clé de sécurité est partiellement retirée, le mode d'urgence s'activera et l'appareil s'arrêtera immédiatement.

- Insérez la clé de sécurité dans la fente de la console en la poussant vers l'intérieur.
- Assurez-vous que le clip de la clé de sécurité est correctement fixé à vos vêtements. Assurez-vous qu'il est suffisamment bien fixé à vos vêtements pour qu'il puisse retirer la clé de sécurité en cas de besoin.

!! REMARQUE

- La clé de sécurité ne peut pas être retirée de l'unité, car il s'agit d'une structure fixe.

!! REMARQUE

- La console affichera le code E7 lorsque la clé de sécurité n'est pas en position pendant le démarrage.

Disjoncteur (Fig. E-2B)

L'équipement comporte un disjoncteur qui coupe le circuit d'alimentation si la charge électrique dépasse la capacité maximum. En ce cas, vous devez appuyer sur le disjoncteur.

⚠ AVERTISSEMENT

- Avant d'appuyer sur le disjoncteur, retirez la fiche secteur de l'équipement.

Si l'équipement s'arrête, procédez comme suit pour le redémarrer :

- Retirez la fiche secteur de l'équipement.
- Appuyez sur le disjoncteur pour redémarrer l'équipement.
- Insérez la fiche secteur dans l'équipement.

!! REMARQUE

- Certains disjoncteurs utilisés dans des habitations ne sont pas conçus pour les appels de courant importants qui peuvent se produire lors de la mise en marche d'un tapis de course, voire pendant une utilisation normale. Si votre tapis de course déclenche le disjoncteur (même si la tension est correcte et si le tapis est le seul appareil branché sur le circuit), mais si le disjoncteur du tapis de course ne se déclenche pas, vous devez remplacer le disjoncteur par un type conçu pour des appels de courant importants. Il ne s'agit pas d'un défaut de garantie. C'est une situation qui échappe à notre contrôle en tant que fabricant.

Déplier et plier l'équipement (fig. F1-F2)

L'équipement peut être déplié pour son usage (fig. F1) puis replié pour son transport et son rangement (fig. F2).

Consultez les illustrations pour déplier et plier correctement l'équipement.

⚠ PRÉCAUTION

- Assurez-vous que l'inclinaison du tapis est de 0 avant de plier le plateau. Si l'inclinaison n'est pas de 0, le mécanisme sera endommagé lors du pliage.

Réglage des pieds de support

L'équipement est équipé de pieds de support réglables.

Si l'équipement semble instable, bancal ou n'est pas de niveau, vous pouvez régler ces pieds de support afin de procéder aux corrections nécessaires.

- Tournez les pieds de support vers l'intérieur/vers l'extérieur tel que cela est nécessaire afin de stabiliser l'équipement et pour qu'il soit bien de niveau.
- Serrez les contre-écrous* pour verrouiller les pieds de support.

💡 ASTUCE RAPIDE

- Il est plus facile d'être deux pour cette procédure : une personne peut incliner l'équipement pendant que l'autre effectue les réglages nécessaires.



Cliquez pour voir notre vidéo YouTube d'assistance
https://youtu.be/E_7agKqaUlc

!! REMARQUE

- L'équipement est plus stable lorsqu'il est aussi près que possible du sol. Par conséquent, commencez à mettre l'équipement de niveau en tournant complètement tous les pieds de support vers l'intérieur avant de les tourner vers l'extérieur afin de stabiliser l'équipement et de le mettre de niveau.

Interface de l'utilisateur (fig. E-1)



⚠ PRÉCAUTION

- Maintenez la console à l'écart de la lumière directe du soleil.
- Séchez la surface de la console dès qu'elle est couverte de gouttes de sueur.
- Ne vous appuyez pas sur la console.
- Touchez l'affichage uniquement avec le bout du doigt. Assurez-vous de ne pas toucher l'affichage avec vos ongles ou des objets coupants.

!! NOTE

- La console passe en mode de veille si l'équipement n'est pas utilisé pendant 4 minutes.

Boutons

Stop/Reset

- Appuyez une fois, il arrête votre entraînement/le tapis en douceur.
- Appuyez deux fois, il arrête votre entraînement/le tapis plus rapidement.
- Réinitialisez la console en poussant et en continuant à appuyer 2 secondes en "mode arrêt"

Start/Pause

- Commencez l'entraînement sélectionné ou relancez l'entraînement en pause quand vous êtes en mode pause.
- Mettez votre entraînement actif en pause.

Prog

- Appuyez pour parcourir les options de programme. (P0/ P1~P36/ U01~U03/ HRC1~HRC3/ FAT)

Mode

- Parcourir les paramètres de définition des objectifs en mode programmation.
- Réinitialiser la durée cible lors de la définition de l'objectif de temps pour les programmes « P1-P36 ».
- En mode exercice, appuyez sur ce bouton pour bloquer l'affichage LED à écrans multiples.
- Appuyez à nouveau pour débloquer et réactiver le mode scannage.

Speed +

- Augmente la vitesse (0.8 ~ 24.0 km/h).
- En appuyant une fois la vitesse augmente de 0.1 km/h.
- En appuyant et en maintenant le bouton enfoncé pendant deux secondes, la vitesse augmentera plus rapidement.
- Parcourez les programmes et changez les valeurs en mode programmation.

Speed -

- Diminue la vitesse (0.8 ~ 24.0 km/h).
- En appuyant une fois, la vitesse diminue de 0.1 km/h.
- En appuyant et en maintenant le bouton enfoncé pendant deux secondes, la vitesse diminuera plus rapidement.
- Parcourez les programmes et changez les valeurs en mode programmation.

Touches de raccourci de vitesse :

Les touches de raccourci de vitesse sont : 6, 9, 12.

Par exemple, la vitesse passera de n'importe quelle vitesse à 9 km/h si l'utilisateur appuie sur la touche de raccourci de vitesse 9.

Touches d'accès rapide vitesse sur le guidon :

- + identique à Speed +.
- - Identique à Speed -.

Incline +

- Augmente l'inclinaison (0 ~ 15 +1).
- Parcourez les programmes et changez les valeurs en mode programmation.

Incline -

- Diminue l'inclinaison (0 ~ 15 -1).
- Parcourez les programmes et changez les valeurs en mode programmation.

Touches de raccourci d'inclinaison.

Les touches de raccourci d'inclinaison sont : 0, 5, 10.

Par exemple, le niveau d'inclinaison passera de n'importe quelle inclinaison à 5 si l'utilisateur appuie sur la touche de raccourci d'inclinaison 5.

Touches d'accès rapide inclinaison sur le guidon :

- + : Identique à Incline +.
- - : Identique à Incline -.

Explication des éléments d'affichage**Speed (Vitesse)**

- Montre la vraie vitesse du tapis de course en mode entraînement.
- Montre la vitesse à atteindre en mode programmation.
- Montre la sélection de programmes en étant en mode programmation.

Incline (Pente)

- Montre la vraie inclinaison du tapis de course en mode entraînement.
- Montre l'inclinaison à atteindre en mode programmation.

Distance

- Montre la distance courue en mode entraînement.
- Montre la distance qu'il reste à courir en mode entraînement avec décompte.
- Montre la distance à atteindre en mode programmation.

Time (Durée)

- Montre la durée courue en mode entraînement.
- Montre la durée qu'il reste à courir en mode entraînement avec décompte.
- Montre le temps à atteindre en mode programmation.

Steps (Pas)

La console affiche le nombre de pas que vous avez effectués pendant votre séance d'entraînement.

!! REMARQUE

- Pour que la fonction podomètre intégrée soit stable, il faut que l'utilisateur pèse au moins 40 kg et que la vitesse réglée soit au minimum de 3 Km/h.
- Si le poids du corps et/ou la vitesse réglée sont plus faibles, la fonction peut être moins stable.

La console est capable de compter le nombre de pas pendant votre entraînement, en gardant votre vitesse supérieure à 3.0 km/h, et le poids de l'utilisateur est d'au moins 40 kg.

Heart (Cœur)

- Montre le rythme cardiaque en mode entraînement, ou « P » lorsqu'aucun rythme cardiaque n'est mesuré.

Calories

- Montre les calories brûlées en mode entraînement.
- Montre les calories qu'il reste à brûler en mode entraînement avec décompte.
- Montre les calories brûlées à atteindre en mode programmation.

!! REMARQUE

- Ces données sont fournies à titre indicatif pour comparer différentes séances d'entraînement. Elles ne doivent pas être utilisées dans le cadre d'un traitement médical.

Scan

- L'affichage "Time/ Step", "Heart/ Incline" & "Calories/ Distance" contrôle toutes les 5 secondes.
- Pour garder votre affichage préféré, appuyez sur Mode, appuyez à nouveau sur Mode pour défiger et réactiver le mode Scan.

Explications des bips acoustiques à l'écran

La console a été conçue pour prévenir l'utilisateur par un bip acoustique.

Cela doit avertir l'utilisateur qu'il doit changer pour un exercice plus sûr.

La console va avertir :

- Lorsque vous atteignez un objectif défini à l'avance.
- Pour annoncer un changement de vitesse ou d'inclinaison en raison du programme sélectionné.

Fonction USB

L'utilisateur peut connecter son dispositif pour le recharger pendant son entraînement.

Tension/ courant: 5VDC/ 1.0 Amp

Programmes**Quick start (démarrage rapide)**

- Appuyez sur le bouton « Start/Pause » pour commencer votre entraînement sans configurer aucun paramètre au préalable.
- Le tapis de course commencera à la vitesse minimum de 1,0 km/h et gardera le paramètre d'inclinaison actuel configuré.
- Ajustez manuellement la vitesse/pente à tout moment pour modifier votre entraînement, et arrêtez/interrompez quand vous voulez.

Mode compte à rebours cible (P0)

La machine doit être en mode démarrage pour accéder au mode compte à rebours.

Appuyez et maintenez le bouton « Stop/Reset » pendant 2 secondes pour mettre le tapis de course en mode de démarrage.

- Appuyez sur le bouton « Mode » pour sélectionner le mode compte à rebours cible :
 - Mode d'entraînement 1 : Durée cible.
Utilisez les touches «Speed + & -» pour ajuster la valeur, et confirmer en appuyant sur le bouton de Mode.
30:00 min. par défaut. Plage 5:00~95:00 ± 1:00.
 - Mode d'entraînement 2 : Distance cible.
Utilisez les touches «Speed + & -» pour ajuster la valeur, et confirmer en appuyant sur le bouton de Mode.
1,00 km par défaut. Plage 1,00-99,00 ± 1,0.
 - Mode d'entraînement 3 : Compte à rebours calories.
Utilisez les touches «Speed + & -» pour ajuster la valeur. 50 par défaut. Plage 20-9990 ± 10.
- Appuyez sur le bouton « Start/ Pause » pour commencer votre entraînement immédiatement quand vous sélectionnez la cible souhaitée.

!! REMARQUE

- Lorsque vous définissez un objectif, l'entraînement s'arrête automatiquement lorsque l'objectif prédéfini est atteint.
- Il est impossible de définir plus d'un objectif.

Fin de l'entraînement

- Suspendez à tout moment votre entraînement en appuyant une fois sur le bouton « Start/Pause ».
L'écran indiquera « PAUS » en étant en mode pause. La durée max. de la pause est de 4,30 min.
- Appuyez sur le bouton « Start/Pause » pour reprendre l'entraînement en étant en mode « PAUS ».
- Appuyez une fois sur le bouton « STOP » pour arrêter l'entraînement.
- Appuyez deux fois sur le bouton « STOP » pour réinitialiser la console.

Programmes préréglés (P1-P36)

L'équipement a 36 programmes préréglés avec différents profils. (Tableau Fig. G)

- Appuyez sur les boutons « Prog » pour sélectionner le programme "P1~P36".
- Configurez votre durée d'entraînement désirée.
Utilisez les touches «Speed + & -» pour ajuster la valeur. 30:00 min. par défaut. Plage 5:00~95:00 ± 1:00.
- Appuyez sur le bouton « Start/Pause » pour commencer votre entraînement.

!! REMARQUE

- La vitesse et l'inclinaison sont contrôlées en fonction du programme sélectionné.
- Un signal sonore avertit l'utilisateur qu'un ajustement de la vitesse et/ou de l'inclinaison va être effectué dans quelques secondes.
- La durée de chaque segment correspond à 1/16 de la durée d'entraînement définie.
- La vitesse et l'inclinaison peuvent être modifiées à tout moment, mais n'affecteront que le segment de profil actif. Le programme suivra à nouveau le profil lorsqu'il passera au segment de profil suivant.

Programmes d'utilisateur (U01-U03)

L'équipement a 3 programmes d'utilisateur.

Chaque programme d'utilisateur peut être modifié en fonction des exigences personnelles. Chaque programme d'utilisateur a 16 étapes. La vitesse et l'inclinaison peuvent être paramétrées pour chaque étape. Chaque étape prend 1/16 de la durée totale.

- Appuyez sur les boutons « Prog » pour sélectionner le programme « U1-U3 ».
- Configurez votre durée d'entraînement désirée.
Utilisez les touches Speed + & - pour ajuster la valeur. 30:00 min. par défaut.
Plage 5:00~95:00 ± 1:00.
- Appuyez sur le bouton « Start/Pause » pour commencer votre entraînement.

Mode de programmation de profil.

- Appuyez sur le bouton « Prog » et sélectionnez U-1, U-2 ou U-3.
- Appuyez sur la touche « Mode » pour ouvrir le mode de programmation du programme utilisateur sélectionné.
- Le menu de programmation du profil s'ouvre et vous permet de définir les valeurs de vitesse et d'inclinaison pour le premier des 16 segments.
- Vous définissez vos valeurs en :- Utilisez les touches „Speed + & -“ pour régler la vitesse souhaitée.- Utilisez les touches « Incline + & -» pour régler l'inclinaison souhaitée.- Confirmez en appuyant sur le bouton « Mode ».
- Le mode de programmation pour le segment 2 du profil de programme s'ouvre.
- La programmation des 15 segments restants doit être effectuée de la même manière jusqu'à ce que les 16 segments soient réglés.
- Lors de la confirmation du 16e segment, la fenêtre de durée clignotera pour définir la durée d'entraînement souhaitée.
- Vous définissez la durée d'entraînement souhaitée en procédant comme suit :
Utilisez les touches « Speed + & - » pour régler la durée d'entraînement souhaitée.
Réglage par défaut : 30:00 min. / Plage de réglage : 5:00 ~ 99:00 (± 1:00).
- Appuyez sur le bouton « Start/Pause » pour démarrer le programme.

!! REMARQUE

- Le profil de programme d'utilisateur configuré sera automatiquement enregistré pour qu'il puisse être réutilisé.

Body Fat

Le programme de graisse corporelle est destiné à indiquer votre état physique, en se basant sur vos paramètres corporels et votre rythme cardiaque.

- Appuyez sur le bouton « Mode » pour ouvrir le mode de programmation.
- Appuyez sur les boutons « Prog » pour sélectionner le programme «8-1», appuyez sur le bouton « Mode » pour confirmer.
- L'écran indique « F1 » (Sexe).
L'écran indique « 1 »
Appuyez sur les boutons Speed + & - pour sélectionner :
1 : Homme/2 : Femme. Appuyez sur le bouton « Mode » pour confirmer.
- L'écran indique « F2 » (Âge).
L'écran indique « 25 »
Appuyez sur les boutons „Speed + & -“ pour sélectionner :1-99
appuyez sur le bouton « Mode » pour confirmer.

- L'écran indique « F3 » (Taille).
L'écran indique « 170 » cm
Appuyez sur les boutons „Speed + & -“ pour sélectionner : 100-220 cm
appuyez sur le bouton « Mode » pour confirmer.
- L'écran indique « F4 » (Poids).
L'écran indique « 70 » kg
Appuyez sur les boutons „Speed + & -“ pour sélectionner : 20-150 kg
appuyez sur le bouton « Mode » pour confirmer.
- L'écran indique « F5 » (Actif)
Tenez les coussinets de poignée mesurant la fréquence cardiaque pour activer la mesure « FAT ».
Le résultat sera montré à l'écran au bout de 5-10 secondes. Voir « Calcul du résultat ».

⚠ ATTENTION

- Il faut tenir les coussinets de poignée mesurant la fréquence cardiaque pour cette fonction.

Calcul du résultat :

TYPE CORPOREL: (taux de graisse corporelle; 4 types)

Pourcentage de graisse corporelle	0 ~ 17	Poids insuffisant
Pourcentage de graisse corporelle	18 ~ 24	Poids insuffisant
Pourcentage de graisse corporelle	25 ~ 28	Surpoids
Pourcentage de graisse corporelle	29 ~ +	Obésité

- BF = Graisse corporelle (en %)
- Le code erreur « ER » s'affichera si aucun rythme cardiaque n'est détecté pendant le processus de mesure de la graisse corporelle.
- Appuyez sur le bouton « Stop/Reset » pour quitter le programme graisse corporelle.

Programme HRC (contrôle du rythme cardiaque)

Le programme de contrôle du rythme cardiaque est un programme à vitesse contrôlée basé sur votre rythme cardiaque. La vitesse augmentera automatiquement lorsque votre rythme cardiaque sera inférieur à l'objectif, et diminuera quand il sera supérieur à l'objectif.

- Appuyez sur les boutons « Prog » pour sélectionner « HRC »
HRC1 : La limite de vitesse minimale configurée est de 8 km/h.
HRC2 : La limite de vitesse minimale configurée est de 12 km/h.
HRC3 : La limite de vitesse minimale configurée est de 16.0 km/h..
Programme.
- Définissez votre âge. L'écran indique « 25 »
Appuyez sur les boutons „Speed + & -“ pour sélectionner : 1-99.
Appuyez sur le bouton « Mode » pour confirmer.
- La fréquence cardiaque cible est affichée, basée sur l'âge indiqué.
Fréquence cardiaque cible = $(220 - \text{âge}) \times 0,6$.
Appuyez sur les boutons „Speed + & -“ pour modifier la valeur cible (60~200). Appuyez sur le bouton « Mode » pour confirmer.
- Réglez la durée de l'exercice l'écran affiche « 30:00 »
Appuyez sur les boutons „Speed + & -“ pour sélectionner : 5:00-99:00.
- Appuyez sur le bouton « Start/Pause » pour démarrer le programme.

Fonction du programme HRC :

- Les programmes HRC commencent avec un temps d'échauffement d'une minute (la vitesse ne s'ajuste pas automatiquement).
- La vitesse initiale est de 1,0 km/h, ce qui permet de régler manuellement une vitesse de réchauffement confortable.
- La console vérifie la fréquence cardiaque toutes les 30 secondes et contrôle la vitesse comme indiqué ci-dessous.

Rythme cardiaque	paramètre	ajustement de la vitesse
29+ BPM	Inférieur à l'objectif	+ 2,0 km/h
6-29 BPM	Inférieur à l'objectif	+ 1,0 km/h
0-5 BPM	Inférieur à l'objectif	Aucun ajustement
0-5 BPM	Supérieur à l'objectif	Aucun ajustement
6-29 BPM	Supérieur à l'objectif	- 1,0 km/h
29+ BPM	Supérieur à l'objectif	- 2,0 km/h

!! REMARQUE

- Le paramètre d'inclinaison n'est pas contrôlé en mode programme HRC, mais il peut l'être par l'utilisateur à tout moment pour intensifier ou ralentir l'entraînement.
- La vitesse peut être modifiée à tout moment par l'utilisateur.
- Lorsque la vitesse est supérieure à la limite de vitesse prédéfinie, elle s'ajuste automatiquement au réglage de vitesse prédéfini automatiquement.
- Si aucun rythme cardiaque n'est détecté, le tapis de course arrêtera l'entraînement.

⚠ ATTENTION

- La mesure du rythme cardiaque est requise pour cette fonction.

Fonction ERP

La fonction ERP peut passer votre tapis de course en mode veille automatiquement quand il n'est pas utilisé pendant 4:30 minutes.

Vous pouvez activer ou désactiver cette fonction comme suit :

- Quand le tapis de course est en mode de démarrage, appuyez sur le bouton « Mode » et maintenez-le enfoncé pendant 3 secondes pour activer ou désactiver la fonction ERP.
 - L'écran affiche « 1111 » lorsque la fonction est activée.
La machine se met en mode veille après 4:30 minutes d'inactivité.
 - L'écran affiche « 2222 » lorsque la fonction est désactivée.
La machine ne se met pas en mode veille après 4:30 minutes d'inactivité.

⚠ ATTENTION

- Nous vous recommandons de toujours activer la fonction ERP.

Système métrique/impérial

Si la vitesse affichée ne correspond pas à vos attentes, la machine est peut-être mal paramétrée.

Métrique :	Vitesse Min./ Max. 0.8 Km/h/ 24.0 km/h.
Impérial :	Vitesse Min./ Max. 0.5 Mls/h/ 15.0 Mls/h.

Changer d'unités :

En mode "ON":

Appuyez sur les boutons "Prog" & "Speed -" et maintenez-les enfoncés pendant 3 secondes.

La console affiche le mode S-01:

- 0,6 lorsque vous passez au système impérial.
- 1.0 lorsque vous passez au système métrique.
- Appuyez sur la touche « Mode » et maintenez-la enfoncée pendant deux secondes pour passer d'un réglage à l'autre.

Appuyez sur le bouton "Start/ Pause" pour confirmer le réglage et revenir au mode utilisateur.



Cliquez pour voir notre vidéo YouTube d'assistance
<https://youtu.be/KOXl5obz-RQ>

Bluetooth & APP

- Cette console peut être connectée à l'APP sur l'appareil intelligent via Bluetooth.
(iOS & Android)
- Établissez la connexion Bluetooth uniquement via le mode de connexion sur l'application installée sur votre périphérique intelligent.

!! NOTE

- Tunturi vous fournit seulement la possibilité de raccorder votre console de fitness via une connexion Bluetooth. Par conséquent, Tunturi ne peut être tenu responsable des dommages ou du mauvais fonctionnement des produits autres que ceux de Tunturi.
- Consultez le site Web pour plus d'informations.

Nettoyage et maintenance

AVERTISSEMENT

- Votre appareil d'entraînement nécessite un entretien mensuel, même lorsqu'il n'est pas utilisé.
 - Avant le nettoyage et la maintenance, retirez la fiche secteur de la prise murale.
 - N'utilisez aucun solvant pour nettoyer l'équipement.
 - Le nettoyage et l'entretien de l'utilisateur ne doivent pas être effectués par des enfants sans surveillance.
- Ne bloquez pas les ouvertures de ventilation. Débarrassez les ouvertures de ventilation de toute poussière, salissure ou obstruction.
 - Nettoyez l'équipement avec un chiffon doux et absorbant après chaque usage.
 - Nettoyez les parties visibles de l'équipement avec un aspirateur doté d'un petit suceur.
 - Vérifiez régulièrement le serrage de tous les écrous et vis.

ATTENTION

- Nous vous recommandons d'utiliser uniquement des chaussures d'intérieur sur votre tapis de course. Si vous n'en avez pas, nous vous recommandons de vérifier la propreté des semelles de vos chaussures avant de les utiliser sur votre tapis de course, car le tapis de course ne supporte pas la saleté de l'extérieur.

Nettoyage général

Les saletés, la poussière et les poils d'animaux peuvent bloquer les entrées d'air et s'accumuler sur le tapis. Tous les mois : passez l'aspirateur sous le tapis de course pour éviter l'accumulation.
DEBRANCHEZ L'APPAREIL AVANT LE NETTOYAGE

Poussière de tapis

Le tapis dégage de la poussière lors d'un rodage normal jusqu'à ce que le tapis se stabilise. Essuyez la poussière à l'aide d'un chiffon humide pour éviter qu'elle s'accumule.

Tapis et surface

Votre tapis de course utilise planche à basse friction très efficace. Les performances sont maximisées lorsque la plateforme de course est maintenue propre et exempte de poussière et de saleté. Les particules de saleté et de poussière entre la plateforme de course et le tapis de course endommagent la surface de la plateforme de course, ce qui affecte les performances et la durée de vie du produit.

Comment nettoyer la plateforme de course

Utilisez un chiffon doux et sec pour essuyer le bord du tapis et la zone située entre le bord du tapis et le cadre. Essayez également de passer la main sous les bords du tapis de course pour enlever la saleté accumulée sur les bords.

Comment nettoyer la surface de du tapis de course

Utilisez tout d'abord une brosse à récurer en nylon pour éliminer les particules détachées du tapis de course. Utilisez ensuite un chiffon humide essoré (sans nettoyeur ni abrasif) pour nettoyer délicatement la surface du tapis de course. Laissez le tapis sécher complètement avant de l'utiliser.

!! REMARQUE

- Lorsque votre tapis est trop sale pour être nettoyé uniquement à l'eau, vous pouvez utiliser un savon doux, mais jamais un solvant lubrifiant.
- Veillez à ce que la solution se trouve à tout moment entre la plateforme de course et le tapis de course.

Cette opération doit être effectuée régulièrement pour prolonger la durée de vie de lu tapis et de la plateforme de course.

Lubrification (fig. F-6)

!! REMARQUE

- La bande de course du tapis de course est pré lubrifiée avant d'être montée sur votre tapis pendant la production de l'appareil. Il n'est donc pas nécessaire de la lubrifier lors de la première utilisation.

L'état de lubrification du tapis de course doit régulièrement être vérifié. C'est pourquoi le tapis de course est muni d'une fonction de rappel toutes les 300 km La « TIME WINDOW » affichera « OIL » et diffusera un bip toutes les 10 secondes pour vous le rappeler. Suivez la procédure de vérification ci-dessous et supprimez le message « OIL » ainsi que le signal sonore en maintenant enfoncé le bouton « START » pendant au moins 3 secondes pendant le signal d'alarme.

AVERTISSEMENT

- Avant la lubrification, retirez la fiche secteur de la prise murale.

PRÉCAUTION

- Nous vous recommandons de vérifier le graissage de la bande en cours d'exécution au moins une fois par mois, car davantage de facteurs que le temps peuvent être déterminants pour l'état du lubrifiant.
- Lubrifiez le tapis roulant uniquement si c'est nécessaire. Une lubrification excessive peut faire patiner le tapis roulant du fait du manque de friction.

- Tenez-vous fermement sur le tapis roulant.
 - Serrez le guidon avant et poussez le tapis roulant avec vos pieds afin de lui imprimer un mouvement avant-arrière. Le tapis roulant doit rouler régulièrement et silencieusement.
 - Si le tapis roulant ne roule pas régulièrement et silencieusement ou s'il ne roule pas du tout, touchez la partie inférieure du tapis roulant avec vos doigts pour vérifier la lubrification.
 - Si vous sentez le lubrifiant ou si vos doigts sont brillants, le tapis est suffisamment lubrifié.
 - Si vous ne sentez pas le lubrifiant ou si vos doigts sont poussiéreux ou rugueux, appliquez du lubrifiant (±10 ml.) au milieu du plateau roulant sous le tapis roulant et laissez l'équipement fonctionner à 5 km/h durant au moins 5 minutes.
 - Après la lubrification, ne pliez pas l'équipement avant d'avoir effectué un entraînement de 2 minutes à une vitesse d'au moins 5 km/h.
- Le lubrifiant sera ainsi entièrement absorbé par le tapis de course et sera réparti uniformément.

!! REMARQUE

- Si 5 km/h est trop rapide pour vous, marchez à la vitesse souhaitée, mais prolongez la durée de la marche pendant au moins 5 minutes.



Cliquez pour voir notre vidéo YouTube d'assistance
<https://youtu.be/ceaOYnofY5k>

Réglages de la courroie de course

Le niveau de performance de votre tapis de course dépend de la planéité de la surface sur laquelle il fonctionne. Lorsque le châssis n'est pas horizontal, le rouleau avant et le rouleau arrière ne peuvent pas rester parallèles et le tapis devra être centré sans cesse.

Cet appareil est conçu de façon à ce que le tapis reste raisonnablement centré lorsqu'il est en service. Il est normal que certains tapis ont tendance à dériver lorsque personne ne se trouve dessus. Après quelques minutes, le tapis devrait se centrer automatiquement. Si le tapis continue à dériver, il faudra le centrer.

EXCEPTION

Lors d'une rééducation, pendant laquelle l'utilisateur marche sur une jambe plus forte que l'autre, il se peut que le tapis dérive. Dans de tels cas, vous ne devez pas centrer le tapis, à moins que le tapis ne se centre pas automatiquement dans des conditions d'utilisation normales.

Réglage de la tension de la courroie

- Serrez les boulons du rouleau arrière (dans le sens des aiguilles d'une montre) juste assez pour empêcher que le tapis patine sur le rouleau avant. Tournez les deux boulons de réglage de la tension du tapis par incréments d'un quart de tour et contrôlez la tension en marchant lentement sur le tapis et en vous assurant que celui-ci ne patine pas. Continuez à serrer les boulons jusqu'à ce que le tapis cesse de patiner.
- Si vous avez l'impression que le tapis est assez serré mais patine encore, le problème provient peut-être d'une courroie de transmission lâche sous le capot avant.
- Ne serrez pas trop: Un serrage excessif peut endommager le tapis et entraîner une défaillance prématurée des roulements.



Cliquez pour voir notre vidéo YouTube d'assistance
https://youtu.be/pp4_4bL1MXo

Centrage du tapis de course (fig. F-5)

Le centrage du tapis de course est nécessaire lorsque votre tapis de course ne suit pas le centre de votre surface de course. Cela se remarque facilement lorsque l'écart entre le rail latéral et le tapis de course est nettement plus grand d'un côté que de l'autre. Cela peut être causé par ce qui suit :

CAUSE 1

Vous utilisez une jambe plus puissante lors des poussées pendant votre entraînement. Le tapis est alors poussé sur le côté, mais cela se corrige automatiquement en laissant le tapis en marche sans charge pendant quelques minutes.

CAUSE 2

Votre tapis de course n'est pas à l'horizontale, où la gravité tire lentement le tapis de course vers l'extrémité la plus basse du tapis de course. Ceci doit être corrigé en mettant le tapis roulant à niveau correctement, car ce problème ne peut être résolu par aucun autre réglage.

CAUSE 3

Le tapis de course n'est pas correctement centré entre les tambours à rouleaux avant et arrière. Cela doit être corrigé en ajustant le suivi du tapis de course comme décrit ci-dessous.

Pour régler l'alignement du tapis de course, utilisez la clé Allen fournie avec votre tapis de course.

- Réglez votre tapis de course à une vitesse de ± 5 km/h, sans courir dessus.
- Lorsque le tapis de course se déplace vers le côté droit. Tournez d'un quart de tour dans le sens inverse des aiguilles d'une montre la vis de réglage du rouleau arrière gauche, située à l'extrémité arrière dans une douille du couvercle du rouleau arrière.
- Lorsque le tapis de course se déplace vers le côté gauche. Tournez d'un quart de tour dans le sens inverse des aiguilles d'une montre la vis de réglage du rouleau arrière droit, située à l'extrémité arrière dans une douille du couvercle du rouleau arrière.
- Attendez ± 2 minutes pour laisser au tapis de course le temps de réagir au réglage avant de répéter les étapes de réglage si nécessaire pour obtenir le résultat souhaité.

!! REMARQUE

- Rappelez-vous qu'un petit ajustement peut faire une grande différence, alors faites les réglages par petites étapes à la fois.



Cliquez pour voir notre vidéo YouTube d'assistance
<https://youtu.be/qx5AvTv00J4>

Il se peut que vous deviez centrer le tapis de temps en temps en fonction de l'utilisation et de votre façon de marcher/de courir. Pour certains utilisateurs, le centrage se fera d'une façon différente. Attendez-vous à procéder aux ajustements nécessaires au centrage du tapis. Au fur et à mesure que le tapis est utilisé, ces ajustements vous causeront moins de soucis. Il est de la responsabilité de tout propriétaire de bien centrer son tapis de course.

!! NOTE

- Les dommages causés au tapis résultant d'un mauvais centrage / réglage de la tension ne sont pas couverts par la garantie.

Defaults de fonctionnement

En dépit d'un contrôle continu de la qualité, l'appareil peut présenter des défauts ou des anomalies de fonctionnement provenant de certains de ses composants. Dans ce cas, il n'est pas cependant nécessaire d'aller faire réparer votre appareil, le problème pouvant bien souvent être résolu par simple changement de la pièce défectueuse.

Contactez votre distributeur au cas où vous remarqueriez un défaut ou un mauvais fonctionnement de votre l'appareil ou si vous avez besoin de pièces de rechange. Indiquez-lui la nature du problème, les conditions d'utilisation, la date d'achat, le modèle et le numéro de série.

Vous trouverez la liste des pièces détachées à la fin de ce mode d'emploi. Seules des pièces mentionnées dans la liste des pièces de rechange peuvent être utilisées dans l'appareil.

Codes d'erreur

Si l'affichage indique un code d'erreur ("E" + un nombre), redémarrez l'équipement et vérifiez si le code d'erreur s'affiche toujours. Si le code d'erreur persiste, contactez immédiatement le revendeur.

Oil

OIL n'est pas un code d'erreur, voir «Lubrification».

E5

Représente une panne d'alimentation.

Lorsque vous réamorcer le tapis roulant T90, il est important d'attendre au moins 30 secondes. Le tapis roulant doit être arrêté pendant 30 secondes avant de pouvoir être remis en marche. Le message E5 va toujours apparaître si vous redémarrez trop vite.

Le contrôleur du moteur AC a en effet besoin d'un temps assez long pour s'arrêter complètement. Il continue de fonctionner pendant au moins 15 secondes après l'arrêt de la console.

Vous pouvez résoudre ce problème en arrêtant le tapis roulant en mettant l'interrupteur en position OFF (arrêt). Attendez 30 secondes avant de remettre l'interrupteur en position ON (marche). Le code d'erreur E5 ne devrait pas réapparaître.

Si l'erreur continue de revenir, prenez contact avec votre revendeur.

E7

La console affichera le code E7 lorsque la clé de sécurité n'est pas en position pendant le démarrage.

E7 n'est pas un code d'erreur, voir «Clé de sécurité».

Transport et rangement

⚠ AVERTISSEMENT

- Avant le nettoyage et la maintenance, retirez la fiche secteur de la prise murale.
- Deux personnes au moins sont nécessaires pour transporter et déplacer l'équipement.
- Assurez-vous que rien, ni personne ne se trouve sous l'équipement.
- En pliant l'équipement, assurez-vous de l'entendre se verrouiller en position afin qu'il ne se déplie pas inopinément.

⚠ PRÉCAUTION

- Avant de plier l'équipement, assurez-vous que l'inclinaison est à 0 %. Si l'inclinaison n'est pas à 0 %, le pliage va endommager le mécanisme.
- Déplacez l'équipement comme illustré (fig. F3). Déplacez l'équipement et reposez-le prudemment. Placez l'équipement sur une base protectrice pour éviter d'endommager la surface du sol. Déplacez prudemment l'équipement sur les surfaces irrégulières. Ne déplacez pas l'équipement sur ses roues pour monter des escaliers mais transportez-le par les guidons.
- Rangez l'équipement à la verticale (fig. F1). Rangez l'équipement dans un endroit sec exposé à des variations de température minimales.

Garantie

Garantie du propriétaire d'un équipement de Tunturi

Conditions de garantie

Le consommateur est protégé par la législation en vigueur concernant le commerce des biens de consommation. Cette garantie ne limite pas ces droits. La Garantie de l'acheteur n'est valide que si le produit est utilisé dans l'environnement préconisé par la société Tunturi New Fitness BV, et est conservé tel que cela est indiqué pour cet équipement donné. L'environnement approuvé spécifique au produit et les instructions d'entretien sont indiqués dans le « manuel d'utilisation » du produit. Le « manuel d'utilisation » peut être téléchargé sur notre site Web. <http://manuals.tunturi.com>

Conditions de garantie

Les conditions de garantie sont applicables à compter de la date d'achat et peuvent varier selon les pays. Demandez conseil à votre revendeur.

Étendue de la garantie

En aucun cas Tunturi New Fitness BV, le revendeur ou le distributeur Tunturi ne répondra des éventuels dommages spéciaux, indirects, secondaires ou consécutifs, de quelque nature que ce soit, liés à l'utilisation de ou à l'inaptitude à utiliser cet équipement.

Restrictions de garantie

La garantie couvre les défauts de fabrication et de matériaux dans un équipement d'origine, sorti d'usine et conditionné par Tunturi New Fitness BV. La garantie couvre uniquement les défauts apparaissant lors d'une utilisation normale et conforme aux instructions du manuel du propriétaire, à condition que les instructions de montage, de maintenance et d'utilisation établies par Tunturi New Fitness BV aient été respectées. Tunturi New Fitness BV et les revendeurs Tunturi ne répondent pas des défauts occasionnés par des conditions indépendantes de leur volonté. La garantie est applicable uniquement au premier acheteur et est valable uniquement dans les pays où Tunturi New Fitness BV dispose d'un distributeur agréé. La garantie ne s'étend pas aux équipements de fitness ou aux pièces qui ont été modifiées sans l'autorisation de Tunturi New Fitness BV. La garantie ne s'applique pas aux défauts provenant d'une usure normale, d'une utilisation inadaptée, d'une utilisation dans des conditions non prévues par le fabricant, de la corrosion ou d'un dommage intervenu lors du chargement ou du transport.

La garantie ne couvre pas les sons ou les bruits émis par l'équipement s'ils ne gênent pas son utilisation et s'ils ne sont pas provoqués par un dysfonctionnement.

La garantie ne couvre pas non plus les mesures de maintenance, telles que le nettoyage, la lubrification ou la vérification normale des pièces, ni les actions que le client peut effectuer lui-même et qui n'exigent pas particulièrement de monter/ démonter l'équipement. Ces actions sont par exemple le changement des compteurs, des pédales ou autres pièces similaires faciles à changer. Seules les réparations sous garantie effectuées par un revendeur ou par le distributeur agréé Tunturi seront prises en charge. Le non-respect des instructions décrites dans le Manuel de l'Utilisateur entraînera l'annulation de la garantie.

Données techniques

Paramètre	Unité de mesure	Valeur
Tension secteur	VCA	210~240
Fréquence secteur	HZ	50~60
Vitesse	Km/H	0.8~24.0
Inclinaison	Étape	0~15
Longueur / (replié)	Cm	192.4 / (137.0)
Longueur / (replié)	Inch	75.7 / (53.9)
Largeur	Cm	92.1
Largeur	Inch	36.3
Hauteur / (replié)	Cm	149.1 / (155.0)
Hauteur / (replié)	Inch	58.7 / (61.0)
Poids	Kg	117.0
Poids	Lbs	257.9
Poids maxi utilisateur	Kb	150
Poids maxi utilisateur	Lbs	330
Mesure de la fréquence cardiaque disponible via:	Contact par prise en main 5.0 Khz 5,3 kHz. Bluetooth (BLE) ANT+	Oui Non Non Oui Non

!! REMARQUE

- Pour connaître les dimensions du produit et les dimensions fonctionnelles, veuillez consulter la figure J.

Déclaration du fabricant

Tunturi New Fitness BV déclare que le Signature T90 Tapis roulant est conforme aux normes et directives suivantes :

- Directive RoHS (2011/65/EU)
- Directive Machines (2006/42/EC)

Par la présente, Tunturi New Fitness BV déclare que l'équipement radio de type Signature T90 Tapis roulant est conforme à la directive 2014/53/EU.

La déclaration de conformité comprenant toutes les normes et directives peut être téléchargée sur notre site web :
<https://doc.tunturi.com>

Tunturi New Fitness BV
Purmerweg 1
1311 XE Almere
Pays-Bas

Limite de responsabilité

© 2025 Tunturi New Fitness BV
Tous les droits réservés.

- Le produit et le manuel sont sujets à modifications.
- Les spécifications peuvent changer sans préavis.
- Consultez notre site Web pour obtenir la dernière version du manuel d'utilisation.

Nederlands

Deze Nederlandse handleiding is een vertaling van de Engelse tekst. Aan deze vertaling kunnen geen rechten ontleend worden. De originele Engelse tekst blijft leidend.

Inhoud

Welkom	53
Veiligheidswaarschuwingen	53
Elektrische veiligheid	54
Montage instructies	54
Beschrijving afbeelding A	54
Beschrijving afbeelding B.....	54
Beschrijving afbeelding C	54
Beschrijving afbeelding D	54
Accessoires (fig. H)	55
Aanvullende montage-informatie	55
Aanvullende milieu informatie	55
Trainingen.....	55
Instructies	55
Hartslag.....	56
Gebruik	56
Afstellen van de steunvoeten.....	57
Monitor (fig. E-1)	57
Knoppen.....	57
Uitleg van de items op het display	58
Uitleg van het geluidssignaal van het display	58
USB functie.....	58
Programma's	58
Snelle start.....	58
Aftelmodus (P0).....	58
Workout beëindigen	59
Voorgeprogrammeerde programma's (P1~P36)	59
Gebruikersprogramma's (U01~U03)	59
Body Fat.....	59
HRC-programma	60
ERP-functie	60
Instellingen - metriek/imperiaal	60
Bluetooth & APP	60
Reiniging en onderhoud	60
Algemene reiniging.....	61
Band en loopvlak	61
Smeren (fig. F-6).....	61
Bandafstellingen.....	61
Gebruiksstorings	62
Foutcodes	62
Oil.....	62
E5	62
E7	63
Transport en opslag	63
Garantie	63
Technische gegevens	63
Verklaring van de fabrikant	64
Disclaimer	64

Welkom

Welkom in de wereld van Tunturi Fitness!

Hartelijk dank voor uw aankoop van dit Tunturi-toestel. Tunturi biedt een grote verscheidenheid aan professionele toestellen zoals crosstrainers, loopbanden, fietstrainers, roeimachines, krachtbanken, multistations en accessoires. Het Tunturi-toestel is geschikt voor de hele familie, onafhankelijk van de conditie. Meer informatie vindt u op de website www.tunturi.com

Belangrijke Informatie

Deze gids is een essentieel onderdeel van uw Tunturi looptrainer. Lees deze gids zorgvuldig door vóórdat u begint met monteren, gebruiken of onderhouden van uw looptrainer. Bewaar de gids op een handige plaats. U kunt er, nu en in de toekomst, nuttige informatie uithalen die u nodig heeft voor het gebruik en het onderhoud van de apparatuur. Volg de instructies altijd met zorg op.

Veiligheidswaarschuwingen

⚠ WAARSCHUWING

- Lees de veiligheid-waarschuwingen en de instructies. Het niet opvolgen van de veiligheid-waarschuwingen en de instructies kan persoonlijk letsel of beschadiging van het toestel veroorzaken. Bewaar de veiligheid-waarschuwingen en instructies voor toekomstig gebruik.

⚠ WAARSCHUWING

- Hartslag-bewakingssystemen kunnen onnauwkeurig zijn. Overmatig trainen kan leiden tot ernstig letsel of de dood. Als u zich duizelig voelt, stop dan onmiddellijk met trainen.

- Het toestel is uitsluitend geschikt voor huishoudelijk en professioneel gebruik (bijv. ziekenhuizen, brandweerkazernes, hotels, scholen, etc.).
- Dit apparaat kan worden gebruikt door kinderen vanaf 8 jaar en door personen met verminderde lichamelijke, zintuiglijke of geestelijke vermogens of met een gebrek aan ervaring en kennis, indien zij onder toezicht staan of instructies hebben gekregen over het veilige gebruik van het apparaat en indien zij begrijpen welke gevaren het apparaat met zich meebrengt.
- Kinderen moeten onder toezicht staan om ervoor te zorgen dat ze niet met het apparaat spelen.
- Als u misselijkheid, duizeligheid of andere abnormale symptomen ervaart, stop dan onmiddellijk met uw training en raadpleeg een arts.
- Om spierpijn en te zware belasting te voorkomen, moet u elke training beginnen met een warming-up en eindigen met een cooling-down. Vergeet niet om uw spieren te strekken aan het einde van de training.
- Het toestel is uitsluitend geschikt voor gebruik binnenshuis. Het toestel is niet geschikt voor gebruik buitenshuis.
- Gebruik het toestel alleen in een omgeving met voldoende ventilatie. Gebruik het toestel niet in een tochtige omgeving om geen kou te vatten.
- Gebruik het toestel alleen in een omgeving met een omgevingstemperatuur tussen 10 °C~35 °C. Berg het toestel alleen op bij een omgevingstemperatuur tussen 5 °C~45 °C.
- Gebruik het toestel niet in een vochtige omgeving. Berg het toestel niet op in een vochtige omgeving. De luchtvochtigheid mag nooit meer zijn dan 80%.
- Gebruik het toestel alleen voor het doel waarvoor het gemaakt is. Gebruik het toestel niet voor andere doelstellingen dan beschreven in de handleiding.

- Gebruik het toestel niet als een onderdeel is beschadigd of niet goed werkt. Raadpleeg uw dealer als een onderdeel is beschadigd of niet goed werkt.
- Houd uw handen, voeten en andere lichaamsdelen uit de buurt van de bewegende delen.
- Houd uw haar uit de buurt van de bewegende delen.
- Draag geschikte kleding en schoenen.
- Houd kleding, sieraden en andere voorwerpen uit de buurt van de bewegende delen.
- Zorg ervoor dat het toestel slechts door één persoon tegelijk wordt gebruikt. Het toestel mag niet worden gebruikt door personen die meer dan 150 kg (330 lbs) wegen.
- Maak het toestel niet open zonder eerst uw dealer te raadplegen.

Elektrische veiligheid

(Uitsluitend voor toestellen met elektrisch vermogen)

- Controleer voor gebruik altijd of de netspanning gelijk is aan de spanning op het typeplaatje van het toestel.
- Gebruik geen verlengsnoer.
- Houd het snoer uit de buurt van warmte, olie en scherpe randen.
- Verander of wijzig het snoer of de stekker niet.
- Gebruik het toestel niet als het snoer of de stekker beschadigd is of niet goed werkt. Als het snoer of de stekker is beschadigd of niet goed werkt, raadpleeg dan uw dealer.
- Rol het snoer altijd helemaal uit.
- Laat het snoer niet onder het toestel door lopen. Laat het snoer niet onder een kleed door lopen. Plaats geen voorwerpen op het snoer.
- Zorg ervoor dat het snoer niet over de rand van een tafel hangt. Zorg ervoor dat niemand per ongeluk achter het snoer kan blijven haken of erover kan struikelen.
- Laat het toestel niet onbewaakt achter wanneer de stekker in het stopcontact zit.
- Trek niet aan het snoer als u de stekker uit het stopcontact wilt halen.
- Verwijder de stekker uit het stopcontact wanneer het toestel niet in gebruik is, vóór montage of demontage en vóór reiniging en onderhoud.

⚠ WAARSCHUWING

- Als het voltage varieert met tien (10) procent, kan dit de prestaties van de loopband negatief beïnvloeden. Dergelijke omstandigheden vallen niet onder de garantie. Als u vermoedt dat het voltage te laag is, neemt u contact op met het lokale energiebedrijf of een bevoegd elektricien voor het uitvoeren van een test.

⚠ WAARSCHUWING

- Houd het stroom snoer uit de buurt van bewegende onderdelen van de loopband, inclusief het helling-mechanisme en de transportwielletjes.

⚠ WAARSCHUWING

- Gebruik nooit water of andere vloeistof direct op of in de buurt van de apparatuur. Als er vocht nodig is om de machine te reinigen, maak dan alleen gebruik van een vochtige doek.
- Direct gebruik van vloeistof op de apparatuur is schadelijk voor de onderdelen en kan leiden tot een elektrische schok als gevolg van kortsluiting.
Dit kan leiden tot ernstig persoonlijk letsel of zelfs de dood.
- Het apparaat mag uitsluitend worden gebruikt met het bijgeleverde netsnoer.

Aardingsinstructies

Dit product moet worden geaard. Als het elektrische systeem van de loopband niet goed/niet meer werkt, vormt aarding een pad van minste weerstand voor elektrische stroom, waardoor het risico van een elektrische schok afneemt. Dit product is voorzien van een koord met een aardingsstekker. De stekker moet in een geschikt stopcontact worden geplaatst dat op juiste wijze is gemonteerd en geaard in overeenstemming met alle lokale normen en verordeningen.

⚠ WAARSCHUWING

- Onjuiste aansluiting van de aardingsgeleider kan resulteren in risico van een elektrische schok. Neem contact op met een bevoegd elektricien of onderhoudsmonteur als u niet zeker weet of het product goed is geaard. Pas de stekker die met het product wordt geleverd niet aan wanneer het niet in het stopcontact past. Laat een geschikt stopcontact installeren door een bevoegd elektricien.

Montage instructies

Beschrijving afbeelding A

De illustratie laat zien hoe de trainer er na de montage uitziet. U kunt dit als referentie gebruiken tijdens de montage, maar volg de montageschappen altijd in de juiste volgorde, zoals aangegeven op de afbeeldingen.

Beschrijving afbeelding B

De illustratie laat zien welke componenten en onderdelen er in uw pakket moeten zitten.

!! OPMERKING

- Kleine onderdelen kunnen soms enigszins verborgen verpakt zitten in holle ruimtes in het beschermende piepschuimmateriaal om het product.
- Raadpleeg uw dealer als een onderdeel ontbreekt.

Beschrijving afbeelding C

De afbeelding toont de hardwarekit die bij uw product wordt geleverd.

De hardwarekit bevat bouten, ringen, schroeven, moeren etc. en het benodigde gereedschap om uw trainer op de juiste manier te monteren.

Beschrijving afbeelding D

Op de afbeeldingen staat aangegeven in welke volgorde de trainer moet worden gemonteerd.

⚠ WAARSCHUWING

- Monteer het apparaat in de aangegeven volgorde.
- Draag en verplaats het toestel met minstens twee personen.

⚠ VOORZICHTIG

- Zet het toestel op een stevige, vlakke ondergrond.
- Zorg voor een beschermende laag onder het toestel om schade aan het vloeroppervlak te voorkomen.
- Houd rondom de apparatuur ten minste een bewegingsruimte van 100 cm.
- Raadpleeg de illustraties voor de juiste assemblage van het toestel.

!! LET OP

- Bewaar, nadat u het apparaat in elkaar hebt gezet, het gereedschap dat bij dit product is geleverd. Dit met het oog op service op een later tijdstip.

Accessoires (fig. H)

!! OPMERKING

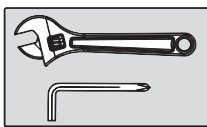
- De illustratie toont een looptrainer met de bijbehorende lange handrails.
- Deze lange handrails kunnen worden aangeschaft als een accessoire.
- Artikelnummer: 22TRNRH000

Neem contact op met uw dealer voor meer informatie.

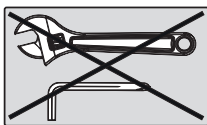
Aanvullende montage-informatie

Bouten en moeren aandraaien

Om te voorkomen dat gemonteerde framedelen niet goed uitgelijnd zijn, is het aan te raden de eerste stappen hierna uit te voeren voordat je de bouten en moeren volledig vastdraait. Hierdoor blijft de mogelijkheid bestaan om eerder gemonteerde onderdelen te herpositioneren, waardoor de algehele assemblage vlotter verloopt. Daarom is het raadzaam om de onderstaande instructies op te volgen.



Draai de bouten en moeren pas aan nadat alle componenten zijn gemonteerd.



Draai de bouten en moeren in deze stap niet volledig aan. Handvast is voldoende.

Aanvullende milieu informatie

Afvoeren van verpakkingsmateriaal

Overheids-richtlijnen geven aan dat we de hoeveelheid afvalmateriaal afgevoerd naar stortplaatsen moeten verminderen. Daarom vragen we u al het afvalmateriaal op verantwoorde wijze af te voeren naar openbare recycling-centra.

Verwijdering aan het eind van de levensduur.

We hopen dat u jarenlang plezier hebt van uw fitnessapparaat. Er komt echter een moment waarop het fitnessapparaat het eind van de bruikbare levensduur heeft bereikt. Onder de Europese AEEA-wetgeving bent u verantwoordelijk voor het op de juiste wijze afvoeren van uw fitnessapparaat naar een erkend openbaar inzamelpunt.

Trainingen

De training moet licht genoeg zijn, maar wel langdurig. Aerobische training is gebaseerd op verbetering van de maximale zuurstofopname van het lichaam, die dan het uithoudingsvermogen en de conditie weer verbetert. U moet tijdens de training wel transpireren, maar u mag niet buiten adem raken. Voor het bereiken en in stand houden van een basisconditie moet u minstens drie keer per week steeds 30 minuten trainen. Verhoog het aantal trainingssessies ter verbetering van uw conditie. Het is

de moeite waard om regelmatige lichaamsbeweging met gezonde voeding te combineren. Iemand die zich goed aan een dieet houdt, zou elke dag moeten trainen te beginnen met 30 minuten of korter, en de dagelijkse trainingsduur geleidelijk opvoeren tot één uur. Begin uw training bij een lage snelheid en een lage weerstand om te voorkomen dat uw hart en bloedvaten te sterk belast worden. Naarmate uw conditie verbetert, kunnen snelheid en weerstand geleidelijk worden verhoogd. De doelmatigheid van uw training kan worden gemeten door uw hartslag.

Instructies

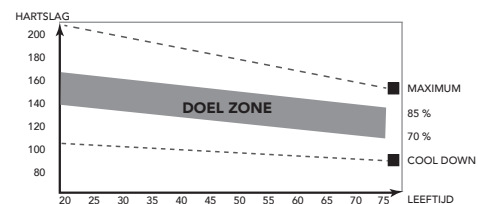
Het gebruik van dit fitness apparaat biedt meerdere voordelen: u verbetert uw fysieke conditie, u versterkt uw spieren en u valt in combinatie met een caloriearm dieet af.

De warming-up

In deze fase wordt uw bloedsomloop gestimuleerd voor een juiste werking van de spieren. Tevens wordt het risico op kramp en spierletsel verminderd. Wij raden u aan enkele stretch oefeningen te doen, zoals hieronder beschreven. Houd elke stretch oefening ongeveer 30 seconden vol. Forceer uw spieren niet bij het stretchen. STOP als het pijn doet

De training fase

Dit is de fase waarin u de meeste inspanning levert. Na regelmatig gebruik worden de spieren in uw benen flexibeler. Het is in deze fase zeer belangrijk dat u een gelijkmatig tempo aanhoudt. De snelheid moet voldoende zijn om uw hartslag te laten stijgen naar de doel zone die in de onderstaande grafiek te zien is.



Deze fase moet minimaal 12 minuten duren, maar de meeste mensen beginnen met ongeveer 15-20 minuten.

De cooling down

In deze fase ontspant u uw cardiovasculaire systeem en spieren. Dit is een herhaling van de warming-uptraining. Verlaag dus uw tempo en ga ongeveer 5 minuten door. Herhaal nu de stretch-oefeningen. Forceer uw spieren niet tijdens het stretchen.

Naarmate u fitter wordt, moet u langer en harder trainen. Het is raadzaam minstens drie keer per week te trainen en zo nodig uw oefeningen gelijkmatig over de week te verspreiden.

Spierversteviging

Als u uw spieren wilt verstevigen met behulp van dit fitnessapparaat, stelt u de weerstand in op hoog. Zo komt er meer spanning op uw beenspieren. Mogelijk kunt u niet zo lang trainen als u zou willen. Als u ook uw conditie wilt verbeteren, moet u het trainingsprogramma aanpassen. Tijdens de warming-up en cooling-down traint u zoals normaal, maar tegen het eind van de trainingsfase verhoogt u de weerstand zodat uw benen harder moeten werken. Verlaag hierbij de snelheid zodat uw hartslag in de doelzone blijft.

Gewichtverlies

Hierbij is het van belang hoeveel inspanning u levert. Hoe harder en langer u werkt, hoe meer calorieën u verbrandt. In feite is dit hetzelfde als wanneer u zou trainen om uw conditie te verbeteren. Het doel is alleen anders.

Hartslag

Hartslagmeting (handgreepsensoren)

De hartslag wordt gemeten door sensoren in de handgrepen wanneer de gebruiker beide sensoren tegelijkertijd aanraakt. Voor de meest nauwkeurige hartslagmeting moet de huid enigszins vochtig zijn en moet u de handgreepsensoren voortdurend aanraken. Bij een te droge of te vochtige huid kan de hartslagmeting minder nauwkeurig worden.

!! LET OP

- Gebruik de handgreepsensoren niet in combinatie met een hartslagborstband.
- Als u een hartslag-limiet hebt ingesteld voor uw training, klinkt er een alarm wanneer deze wordt overschreden.

Hartslagmeting (hartslagborstband)

!! LET OP

- Een hartslagborstband is niet standaard bij deze trainer mee geleverd. Als u een hartslagborstband wilt gebruiken, zult u deze als accessoire moeten aanschaffen.

De meest nauwkeurige hartslagmeting wordt bereikt met een hartslagborstband. De hartslag wordt gemeten met een hartslagontvanger in combinatie met een band die de hartslag verzendt. Voor een nauwkeurige hartslagmeting moeten de elektroden op de borstband enigszins vochtig zijn en de huid constant aanraken. Bij te droge of te natte elektroden kan de hartslagmeting minder nauwkeurig worden.

⚠ WAARSCHUWING

- Als u een pacemaker hebt, moet u het eerst met uw dokter bespreken voordat u een hartslagborstband gebruikt.

⚠ VOORZICHTIG

- Als er verscheidene hartslagmeetapparaten naast elkaar staan, zorg er dan voor dat de tussenafstand minstens 2 meter is.
- Als er slechts één hartslagontvanger en verscheidene hartslagzenders zijn, zorg dan dat er slechts één persoon met een zender in het zendbereik is.

!! LET OP

- Gebruik de hartslagborstband niet in combinatie met de handgreepsensoren.
- Draag de hartslagborstband altijd onder uw kleding, direct op uw huid. Draag de hartslagborstband niet boven uw kleding. Als u de hartslagborstband boven uw kleding draagt, zal er geen signaal komen.
- Als u een hartslaglimiet hebt ingesteld voor uw training, klinkt er een alarm wanneer deze wordt overschreden.
- De zender verzendt de hartslag naar de console tot over een afstand van 1,5 meter. Als de elektroden niet vochtig zijn, verschijnt de hartslag niet op de display.
- Sommige vezels in kleding (bijv. polyester, polyamide) produceren statische elektriciteit die een nauwkeurige hartslagmeting kan hinderen.
- Mobiele telefoons, televisies en andere elektrische apparaten creëren een elektromagnetisch veld dat een nauwkeurige hartslagmeting kan hinderen.

Maximale hartslag (tijdens de training)

De maximale hartslag is de hoogste hartslag die iemand veilig kan bereiken door de belasting van de training. De volgende formule wordt gebruikt voor het berekenen van de gemiddelde maximale hartslag:
220 - LEEFTIJD. De maximale hartslag varieert van persoon tot persoon.

⚠ WAARSCHUWING

- Zorg ervoor dat u tijdens uw training niet boven uw maximale hartslag komt. Als u bij een risicogroep hoort, moet u een arts raadplegen.

Beginner

50-60% van de maximale hartslag

Geschikt voor beginners, mensen die willen afvallen, herstellende patiënten en personen die lange tijd niet getraind hebben. Train minstens drie keer per week, 30 minuten per keer.

Gevorderd

60-70% van de maximale hartslag

Geschikt voor personen die hun conditie willen verbeteren en in stand houden. Train minstens drie keer per week, 30 minuten per keer.

Expert

70-80% van de maximale hartslag

Geschikt voor de fitteste personen die gewend zijn aan langdurige duurtraining.

Gebruik

Hoofdschakelaar (Fig. E-2A)

Het toestel is uitgerust met een hoofdschakelaar om het toestel volledig uit te schakelen.

Starten van het toestel:

- Plaats de stekker in het toestel.
- Plaats de stekker in het stopcontact.
- Zet de hoofdschakelaar in de aan-stand (ON).

Stoppen van het toestel:

- Zet de hoofdschakelaar in de uit-stand (OFF).
- Verwijder de stekker uit het stopcontact.
- Verwijder de stekker uit het toestel.

Veiligheidsleutel (Fig. F-4)

Het toestel is voorzien van een veiligheidssleutel die op de juiste wijze in de console moet worden gestoken om het toestel te kunnen starten. Als de veiligheidssleutel gedeeltelijk naar buiten wordt getrokken, wordt de noodmodus geactiveerd en stopt het toestel onmiddellijk.

- Steek de veiligheidssleutel in de sleuf van de console door deze naar binnen te drukken.
- Zorg ervoor dat de clip van de veiligheidssleutel goed aan uw kleding is bevestigd.
Zorg ervoor dat de clip stevig genoeg aan uw kleding is bevestigd om de veiligheidssleutel naar buiten te kunnen trekken wanneer dat nodig is.

!! OPMERKING

- De veiligheidssleutel kan niet uit het toestel worden verwijderd, omdat deze daar vast mee is verbonden.

!! LET OP

- Monitor laat code E7 zien als veiligheidssleutel niet, of niet juist is geplaatst.

Circuitonderbreker (Fig. E-2B)

Het toestel is uitgerust met een circuitonderbreker die het circuit onderbreekt wanneer de elektrische belasting boven de maximale capaciteit komt. Wanneer dit gebeurt, moet de circuitonderbreker worden ingedrukt.

⚠ WAARSCHUWING

- Verwijder voor het indrukken van de circuitonderbreker de stekker uit het toestel.

Als het toestel uitschakelt, gaat u als volgt te werk om het toestel opnieuw op te starten:

- Verwijder de stekker uit het toestel.
- Druk de circuitonderbreker in om het toestel opnieuw op te starten.
- Plaats de stekker in het toestel.

!! LET OP

- Sommige stroomonderbrekers die binnenshuis worden gebruikt, zijn niet berekend op hoge inschakelstroomstoten die kunnen optreden wanneer de loopband voor de eerste keer wordt ingeschakeld of zelfs tijdens normaal gebruik. Als de loopband de stroomonderbreker activeert (zelfs al heeft deze het juiste stroombereik en is de loopband het enige aangesloten apparaat) maar de stroomonderbreker op de loopband zelf niet wordt geactiveerd, moet u de onderbreker vervangen met een type dat is berekend op hoge inschakelstroomstoten. Dit is geen defect dat onder de garantie valt. Dit is een omstandigheid waarop wij als fabrikant geen invloed hebben.

Uitklappen en inklappen van het toestel (fig. F1-F2)

Het toestel kan worden uitgeklappt voor gebruik (fig. F1) en ingeklapt voor transport en opslag (fig. F2).

Raadpleeg de illustraties voor de juiste wijze van uitklappen en inklappen van het toestel.

⚠ WAARSCHUWING

- Zorg ervoor dat de hellingsgraad van de loopband op 0 is ingesteld alvorens hem op te vouwen. Zo niet zou schade kunnen ontstaan aan het mechanisme.

Afstellen van de steunvoeten

De apparatuur is uitgerust met verstelbare steunvoeten.

Als de apparatuur onstabiel aanvoelt, wiebelt, of niet goed waterpas staat, kan dit worden gecorrigeerd door de steunvoeten af te stellen.

- Draai de steunvoeten naar wens naar binnen of naar buiten om de apparatuur in een stabiele en zo vlak mogelijke stand te zetten.
- Draai de borgmoeren* vast om de steunvoeten te vergrendelen.

💡 SNELLE TIP

- Dit gaat gemakkelijker met twee personen, zodat één persoon de apparatuur kan kantelen, terwijl de andere de nodige aanpassingen doet.



Klik om onze ondersteunende YouTube-video te bekijken
https://youtu.be/E_7agKqaUlc

!! OPMERKING

- De apparatuur is het meest stabiel wanneer deze zo laag mogelijk bij de grond staat. Begin daarom met het waterpas zetten van de uitrusting door alle steunvoeten volledig naar binnen te draaien, alvorens de vereiste steunvoeten naar buiten te draaien om de uitrusting te stabiliseren en waterpas te zetten.

Monitor (fig. E-1)



⚠ VOORZICHTIG

- Houd de console uit de buurt van direct zonlicht.
- Droog het oppervlak van de console wanneer het met zweetdruppels is bedekt.
- Leun niet op de console.
- Raak de display alleen met uw vingertop aan. Raak de display niet aan met uw nagels of een scherp voorwerp.

!! LET OP

- De console gaat naar standby wanneer het toestel gedurende 4 minuten niet wordt gebruikt.

Knoppen

Stop / Reset

- Door eenmaal op deze knop te drukken, stopt u de workout / loopband rustig.
- Door tweemaal op deze knop te drukken, stopt u de workout / loopband sneller.
- U reset de console wanneer u deze knop in de 'stopmodus' 2 seconden ingedrukt houdt

Start/ Pause

- Start de geselecteerde workout, of herstart de workout na de pauzmodus.
- Pauzeer de actieve workout.

Prog

- Druk op deze knop om de mogelijke programma's te doorlopen. (P0/ P1~P36/ U01~U03/ HRC1~HRC3/ FAT)

Mode

- Doorloop de parameters van de doelinstelling in de programmeermodus.
- Reset de streeftijd bij het instellen van een streeftijd voor de programma's "P1~P36".
- Druk op deze knop om de LED-displays voor scannen tijdens trainingsmodus te bevroren.
- Druk nogmaals om het bevroren beeld op te heffen en de scanmodus weer te activeren.

Speed +

- Hiermee wordt de snelheid verhoogd (0.8 ~ 24.0 km/h).
- Door eenmaal op de knop te drukken wordt de snelheid met 0.1 km/h verhoogd.
- Als u de knop twee seconden ingedrukt houdt, wordt de snelheid sneller verhoogd.
- In de programmeringsmodus kunt u door programma's scrollen en waarden wijzigen.

Speed -

- Hiermee wordt de snelheid verlaagd (0.8 ~ 24.0 km/h).
- Door eenmaal op de knop te drukken wordt de snelheid met 0.1 km/h verlaagd.
- Als u de knop gedurende twee seconden ingedrukt houdt, wordt de snelheid sneller verlaagd.
- In de programmeringsmodus kunt u door programma's scrollen en waarden wijzigen.

Sneltoetsen voor de snelheid:

De sneltoetsen voor de snelheid zijn ingesteld op 6, 9 en 12.

Druk bijvoorbeeld op sneltoets 9 en de snelheid verandert van elke snelheid naar 9 km/u.

Makkelijk toegankelijke toetsen voor de snelheid op de handgreep:

- + : Hetzelfde als "Speed +".
- - : Hetzelfde als "Speed -".

Incline +

- Hiermee wordt de hellingsgraad verhoogd (0 ~ 15 +1).
- In de programmeringsmodus kunt u door programma's scrollen en waarden wijzigen.

Incline -

- Hiermee wordt de hellingsgraad verlaagd (0 ~ 15 -1).
- In de programmeringsmodus kunt u door programma's scrollen en waarden wijzigen.

Sneltoetsen voor de hellingsgraad.

De sneltoetsen voor de hellingsgraad zijn ingesteld op 0, 5 en 10.

Druk bijvoorbeeld op sneltoets 5 en de hellingsgraad verandert van elk hellingsniveau naar 5.

Makkelijk toegankelijke toetsen voor de hellingsgraad op de handgreep:

- + : Hetzelfde als "Incline +"
- - : Hetzelfde als "Incline -"

Uitleg van de items op het display

Speed (Snelheid)

- Toont de actuele snelheid van de loopband in de workoutmodus.
- Toont de streefsnelheid in de programmeringsmodus.
- Toont het gekozen programma in de programmeringsmodus.

Incline (Helling)

- Toont de actuele helling van de loopband in de workoutmodus.
- Toont de streefhelling in de programmeringsmodus.

Distance (Afstand)

- Toont de gelopen afstand in de workoutmodus.
- Toont de resterende afstand bij een workout in de aftelmodus.
- Toont de streefafstand in de programmeringsmodus.

Time (Tijd)

- Toont de gelopen tijd in de workoutmodus.
- Toont de resterende tijd bij een workout in de aftelmodus.
- Toont de streeftijd in de programmeringsmodus.

Steps (Stappen)

Console geeft het aantal stappen weer dat je tijdens je training hebt gezet.

!! OPMERKING

- Voor een stabiele ingebouwde stappentellerfunctie is een gebruikersgewicht van minstens 40 kg en een minimale ingestelde snelheid van 3 km/u vereist.

- Als het lichaamsgewicht en/of de ingestelde snelheid lager is, kan de functie minder stabiel zijn.

Heart (Hart)

- Toont de hartslag in de workoutmodus, of 'P' wanneer er geen hartslag wordt geregistreerd.

Calories (Calorieën)

- Toont de verbrande kilocalorieën in de workoutmodus.
- Toont de resterende kilocalorieën bij een workout in de aftelmodus.
- Toont het streefaantal kilocalorieën in de programmeringsmodus.

!! OPMERKING

- Deze gegevens zijn een richtlijn voor de vergelijking van verschillende trainingssessies en kunnen niet tijdens medische behandelingen worden gebruikt.

Scan

- Het display voor "Time/ Step", "Heart/ Incline" & "Calories/ Distance" scant elke 5 seconden.
Om je voorkeursweergave te vergrendelen, druk je op Mode [modus]. Om de vergrendeling op te heffen en de scanmodus opnieuw te activeren, druk je nogmaals op Mode.

Uitleg van het geluidssignaal van het display

De gebruiker wordt gewaarschuwd middels een geluidssignaal.

Zo wordt de gebruiker gewezen op een veilige workout.

De console waarschuwt de gebruiker:

- Wanneer een vooraf ingesteld doel is bereikt.
- Om een snelheidsverandering door het geselecteerde programma aan te kondigen.

USB functie

De gebruiker kan zijn apparaat aansluiten om deze op te laden tijdens het train.

Spanning/ stroom: 5VDC/ 1.0 Amp

Programma's

Snelle start

- Druk op de knop "Start/ Pause" om de workout te starten zonder voorgeprogrammeerde instellingen.
- De loopband begint op een minimum snelheid van 1,0 km/u, met de ingestelde helling.
- U kunt op elk gewenst moment de snelheid en helling aanpassen tijdens de workout, evenals stoppen en pauzeren.

Aftelmodus (P0)

De machine moet in de opstartmodus staan om toegang te krijgen tot de aftelmodus.

Houd de knop "Stop/ Reset" 2 seconden ingedrukt om de loopband in de opstartmodus te zetten.

- Druk op de knop "Mode" om de aftelmodus te selecteren:
 - Trainingsmodus 1: Streeftijd.
Gebruik de knoppen "Speed + & -" om de waarde aan te passen, druk op de Mode knop op uw keuze te bevestigen.
Standaard 30:00 min. Bereik 5:00~95:00 ± 1:00.
 - Trainingsmodus 2: Streefafstand.
Gebruik de knoppen "Speed + & -" om de waarde aan te passen, druk op de Mode knop op uw keuze te bevestigen.
Standaard 1,00 km. Bereik 1,00~99,00 ± 1,0.

- Trainingsmodus 3: Aftelwaarde calorieën.
Gebruik de knoppen "Speed + & -" om de waarde aan te passen.
Standaard 50. Bereik 20~9990 ± 10.
- Druk op de knop "Start/ Pause" om uw workout direct te starten na het instellen van het gewenste doel.

!! OPMERKING

- Wanneer u een doel heeft ingesteld, zal de loopband automatisch stoppen wanneer het doel is bereikt.
- Het is slechts mogelijk om één doel in te stellen.

Workout beëindigen

- U kunt uw workout op elk moment pauzeren door eenmaal de knop "Start/ Pause" in te drukken.
In de pauzmodus ziet u op het display de aanduiding "PAUS".
Max. pauzetijd is 4.30 min.
- Druk op de knop "Start/ Pause" om in de "PAUS"-modus de training te hervatten.
- Druk eenmaal op de knop "STOP" om de workout te stoppen.
- Druk tweemaal op de knop "STOP" om de console te resetten.

Voorgeprogrammeerde programma's (P1~P36)

- Het apparaat bevat 36 vooraf ingestelde programma's met verschillende profielen. (Tabel fig. G.)
- Druk op de knop "Prog" om de programma's "P1~P36" te selecteren.
 - Stel de door u gewenste tijd voor de workout in.
Gebruik de knoppen "Speed + & -" om de waarde aan te passen.
Standaard 30:00 min. Bereik 5:00~95:00 ± 1:00.
 - Druk op de knop "Start/ Pause" om uw workout te starten.

!! OPMERKING

- De snelheid en de helling worden bepaald door het gekozen programma.
- Een pieptoon informeert de gebruiker dat er binnen enkele seconden een snelheids- en/of hellingsaanpassing zal plaatsvinden.
- Elk segment duurt 1/16e van de ingestelde tijd voor de workout.
- De snelheid en de helling kunnen altijd worden gewijzigd, maar dit heeft alleen invloed op het actieve profielsegment. Het programma volgt het profiel opnieuw wanneer het naar het volgende profielsegment gaat.

Gebruikersprogramma's (U01~U03)

Het apparaat kent drie gebruikersprogramma's. U kunt elk gebruikersprogramma naar uw persoonlijke wensen aanpassen. Elk gebruikersprogramma bevat 16 stappen. U kunt voor elke stap de snelheid en de hellingsgraad instellen. Elke stap duurt 1/16e van de totale tijdsduur.

- Druk op de knop "Prog" om het programma "U-1~U-3" te selecteren.
- Stel de door u gewenste tijd voor de workout in.
Gebruik de knoppen "Speed + & -" om de waarde aan te passen.
Standaard 30:00 min.
Bereik 5:00~95:00 ± 1:00.
- Druk op de knop "Start/ Pause" om uw workout te starten.

Programmeermodus voor gebruikersprofielen.

- Druk op de knop "Prog" en selecteer U-1, U-2 of U-3.
- Druk op de knop "Mode" om de programmeermodus voor het geselecteerde gebruikersprogramma te openen.

- Het profielprogrammeermenu wordt geopend waarin je de waarden voor snelheid en helling kunt instellen voor de eerste van de 16 segmenten.
- Je stelt je waarden in door:
 - Gebruik de "Speed + & -" toetsen om de gewenste snelheidsinstelling in te stellen.
 - Gebruik de "Incline + & -" om de gewenste helling in te stellen.
 - Bevestig door op de knop "Mode" te drukken.
- Programmeermodus voor programmaprofielsegment 2 wordt geopend.
- De programmering voor de resterende 15 segmenten moet op dezelfde manier gebeuren tot alle 16 segmenten zijn ingesteld.
- Bij het bevestigen van het 16e segment knippert het tijdvenster om de gewenste trainingstijd in te stellen.
- Je stelt de gewenste trainingstijd in door:
 - De toetsen "Speed + & -" te gebruiken om de gewenste trainingstijd in te stellen.
 - Standaardinstelling: 30:00 min. / Instelbereik: 5:00~99:00 ± 1:00.
- Druk op de knop "Start/ Pause" om het programma te starten.

!! OPMERKING

- Ingestelde gebruikersprofielen worden automatisch opgeslagen zodat deze de volgende keer weer gebruikt kunnen worden.

Body Fat

Met het programma Body Fat wordt uw fysieke conditie aangegeven, op grond van uw lichaamskenmerken en hartslag.

- Druk op de knop "Mode" om de programmeermodus te openen.
- Druk op de knop "Prog" om het programma "8-1" te selecteren en druk op de knop "Mode" om uw keuze te bevestigen.
- Op de display wordt "F1" (SEX) weergegeven.
Op de display wordt "1" weergegeven.
Gebruik de knoppen "Speed + & -" om te selecteren:
1 Man/ 2: Vrouw Druk op de knop "Mode" om uw keuze te bevestigen.
- Op de display wordt "F2" (Age) weergegeven.
Op de display wordt '25' weergegeven. Druk op de knoppen Speed + & - om van 1~99 te selecteren. Druk op de knop "Mode" om uw keuze te bevestigen.
- Op de display wordt "F3" (Height) weergegeven.
Op de display wordt "170"cm weergegeven.
Druk op knoppen Speed + & - om van 100~220 cm te selecteren.
Druk op de knop "Mode" om uw keuze te bevestigen.
- Op de display wordt "F4" (Weight) weergegeven.
Op de display wordt "70"kg weergegeven.
Gebruik de knoppen Speed + & - om 20~150 kg te selecteren.
Druk op de knop "Mode" om uw keuze te bevestigen.
- Op de display wordt "F5" (Active) weergegeven.
Voor de vetmeting "FAT" moet u de hartslagmetingspads in de handgrepen vasthouden.
Het resultaat wordt na 5~10 seconden weergegeven. Bekijk het resultaat van de berekening.

⚠ LET OP

- Voor deze functie moet u de hartslagmetingspads in de handgrepen vasthouden.

Resultaat van de berekening:

TYPE LICHAAM: Lichaamsvetpercentage; 4 typen)

Lichaamsvet percentage	0 ~17	Ondergewicht
Lichaamsvet percentage	18 ~ 24	Standaard
Lichaamsvet percentage	25 ~ 28	Overgewicht
Lichaamsvet percentage	29 ~ +	Obesitas

- BF = Body Fat (lichaamsvetpercentage) (in verhoudingspercentage)
- De foutmelding 'ER' wordt weergegeven als er tijdens het BF-metingsproces geen hartslag werd geregistreerd.
- Druk op de knop "Stop/ Reset" om het lichaamsvetprogramma te verlaten.

HRC-programma

Het HRC-programma is een programma waarbij de snelheid wordt gebaseerd op uw hartslag. De snelheid wordt automatisch verhoogd wanneer uw hartslag onder het doelaantal daalt, en verlaagd wanneer uw hartslag boven het doelaantal stijgt.

- Druk op de knop "Prog" om "HRC" te selecteren.
HRC1: Vooringestelde maximumsnelheid is 8 km/u.
HRC2: Vooringestelde maximumsnelheid is 12 km/u.
HRC3: Vooringestelde maximumsnelheid is 16.0 km/u.
programma.
- Stel uw leeftijd in. Op de display wordt '25' weergegeven. Druk op de knoppen "Up/ Down" om van 1~99 te selecteren. Druk op de knop "Mode" om uw keuze te bevestigen.
- De doelhartslag voor de door u ingestelde leeftijd wordt weergegeven. Doelhartslag = $(220 - \text{leeftijd}) \times 0,6$. Druk op de knoppen "Up/ Down" om de doelwaarde te veranderen 60~200. Druk op de knop "Mode" om uw keuze te bevestigen.
- Stel de tijdsduur van uw workout in. Op het display wordt '30:00' weergegeven.
Gebruik de knoppen "Up/ Down" om een tijdsduur tussen 5:00~99:00 te selecteren.
- Druk op de knop "Start/ Pause" om het programma te starten.

HRC-gebruiksfunctie:

- Het HRC-programma begint met een opwarmtijd van één minuut. (de snelheid wordt niet automatisch aangepast)
- De beginsnelheid is 1,0 km/u. Deze kan handmatig worden ingesteld op een comfortabele opwarmsnelheid.
- De console controleert uw hartslag om de 30 seconden en regelt de snelheid zoals hieronder aangegeven

Hartslag	parameter	snelheidsaanpassing
29+ BPM	Onder het doel	+ 2,0 Km/h
6~29 BPM	Onder het doel	+ 1,0 Km/h
0~5 BPM	Onder het doel	Geen aanpassing
0~5 BPM	Boven het doel	Geen aanpassing
6~29 BPM	Boven het doel	- 1,0 Km/h
29+ BPM	Boven het doel	- 2,0 Km/h

!! OPMERKING

- In het HRC-programma wordt de hellingsgraad niet gestuurd, maar u kunt zelf op elk gewenst moment de hellingsgraad wijzigen om uw workout zwaarder of minder zwaar te maken.
- De snelheid kan door de gebruiker op elk moment worden veranderd.
- Wanneer de vooringestelde snelheidslimiet overschreden wordt, wordt de snelheid automatisch aangepast naar de vooringestelde snelheid.
- Als er geen hartslag wordt geregistreerd, zal de loopband de workout stoppen.

⚠ LET OP

- Voor deze functie is hartslagmeting vereist.

ERP-functie

- Met de ERP-functie kan de loopband automatisch naar de slaapmodus worden overgeschakeld na 4:30 minuten inactiviteit. U kunt deze functie op de volgende manier in- en uitschakelen:
- Wanneer de loopband in de "opstartmodus" staat, kunt u switchen tussen ERP inschakelen en uitschakelen door de knop "Mode" drie seconden ingedrukt te houden.
 - Als de display "1111" weergeeft, is de ERP-functie ingeschakeld. De machine schakelt over naar de slaapmodus na 4:30 minuten inactiviteit.
 - Als de display "2222" weergeeft, is de ERP-functie uitgeschakeld. De machine schakelt niet over naar de slaapmodus na 4:30 minuten inactiviteit.

⚠ LET OP

- We raden aan om de ERP-functie altijd in te schakelen.

Instellingen - metriek/imperiaal

Als de weergegeven snelheid niet overeenkomt met uw verwachtingen, is de machine wellicht niet goed ingesteld.

Metriek:	Min./ Max. snelheid: 0.8 Km/h/ 24.0 km/h.
Imperiaal:	Min./ Max. snelheid: 0.5 Mls/h/ 15.0 Mls/h.

Wijzig eenheid:

- In modus "ON":
Houd de knoppen "Prog" & "Speed -" 3 seconden lang ingedrukt. Console toont S-01-modus:
- 0,6 als u naar modus Imperiaal schakelt.
 - 1,0 als u naar modus Metriek schakelt.
 - De knop "Mode" twee seconden ingedrukt te houden om de instelling te wijzigen.
- Druk op de "Start/ Pause" -knop om de instelling te bevestigen en terug te keren naar de gebruikersmodus.



Klik om onze ondersteunende YouTube-video te bekijken
<https://youtu.be/KOxI5obz-RQ>

Bluetooth & APP

- U kunt deze console via Bluetooth verbinden met een App op uw smart-apparaat. (iOS & Android)
- Breng de Bluetooth-verbinding alleen tot stand via de verbindingsmodus op de geïnstalleerde APP op uw smart-apparaat.

!! LET OP

- Tunturi biedt uitsluitend de mogelijkheid om uw fitnessconsole via een bluetooth-verbinding aan een smart-apparaat te koppelen. Tunturi kan daarom niet aansprakelijk worden gesteld voor schade of gebreken aan producten die niet door Tunturi worden geproduceerd.
- Raadpleeg de website voor extra informatie.

Reiniging en onderhoud

⚠ WAARSCHUWING

- Het toestel heeft maandelijks onderhoud nodig, ook als het niet wordt gebruikt.
- Verwijder voor reiniging of onderhoud de stekker uit het stopcontact.
- Gebruik geen oplosmiddelen om het toestel te reinigen.
- Reiniging en gebruikersonderhoud mag niet door kinderen worden uitgevoerd zonder toezicht.

- Blokkeer de ventilatieopeningen niet. Houd de ventilatieopeningen vrij van stof, vuil en andere belemmeringen.
- Reinig het toestel na elk gebruik met een zachte absorberende doek.
- Reinig de zichtbare onderdelen van het toestel met een stofzuiger met een kleine zuigmond.
- Controleer regelmatig of alle schroeven en moeren goed vast zitten.

LET OP

- Wij raden u aan om alleen indoor-schoenen te gebruiken op de loopband. Als u geen indoor-schoenen heeft, raden wij u aan de zolen van uw schoenen te controleren voordat u deze op de loopband gebruikt. Zorg ervoor dat ze schoon zijn, omdat het toestel niet bestand is tegen vuil van buiten.

Algemene reiniging

Vuil, stof en dierenharen kunnen luchtinlaten blokkeren en zich op de band ophopen. U moet maandelijks onder de loopband stofzuigen om ophoping te voorkomen.

HAAL EERST DE STEKKER UIT HET STOPCONTACT VOORDAT U DIT DOET.

Stof op band

Dit treedt op tijdens normaal eerst gebruik of totdat de band is gestabiliseerd. Verwijder het stof met een vochtige doek om ophoping van stof te minimaliseren.

Band en loopvlak

De loopband maakt gebruik van een zeer efficiënt loopvlak met weinig wrijving. De prestaties worden geoptimaliseerd wanneer het loopvlak schoon en vrij van stof en vuil wordt gehouden. Vuil en stofdeeltjes tussen het loopvlak en de loopband beschadigen het oppervlak van het loopvlak, waardoor de prestaties en de levensduur van het toestel worden beïnvloed.

Reinigen van het loopvlak

Gebruik een zachte, vochtige doek om de rand van de band en het gedeelte tussen de bandrand en het frame te reinigen. Probeer ook onder de randen van de loopband te komen, om ook het verzamelde vuil van de randen te verwijderen.

Reinigen van het oppervlak van de loopband

Gebruik eerst een nylon schrobborstel om de losse deeltjes van het oppervlak van de loopband te verwijderen. Gebruik daarna een uitgewrongen vochtige doek (zonder schoonmaak- of schuurmiddelen) om de bovenkant van de getextureerde band voorzichtig schoon te maken. Laat de band goed drogen voordat u deze gebruikt.

!! OPMERKING

- Wanneer de band te vuil is om alleen met water te reinigen, kunt u een milde zeep gebruiken, maar nooit een oplosmiddel voor smeermiddelen.
- Voorkom te allen tijde dat dit mengsel tussen het loopvlak en loopband terecht komt.

Om de levensduur van de band en het loopvlak te verlengen, moet dit regelmatig worden gedaan.

Smeren (fig. F-6)

!! OPMERKING

- De loopmat van de loopband wordt, tijdens de productie van het toestel, gesmeerd voordat deze op de loopband wordt gemonteerd. Daarom is het niet nodig om de loopmat te smeren voordat het toestel in gebruik wordt genomen.

De loopmat van de looptrainer moet regelmatig op smering worden gecontroleerd. Na elke 300 km wordt een herinnering weergegeven. In het venster TIME wordt 'OIL' weergegeven en elke 10 seconden klinkt een akoestisch signaal om u te herinneren aan de controle. Volg de onderstaande controleprocedure en schakel de melding 'OIL' en het akoestische waarschuwingssignaal uit door tijdens het signaal de knop STOP ten minste 3 seconden ingedrukt te houden.

WAARSCHUWING

- Verwijder voor het smeren de stekker uit het stopcontact.

VOORZICHTIG

- We raden aan de smering van de loopmat minimaal één keer per maand te controleren, omdat meer factoren dan alleen de tijd van invloed kunnen zijn voor de smeringconditie van uw loopmat.
- Smeer de loopmat alleen indien nodig. Als u te veel smeervet aanbrengt, zal de loopmat door te weinig wrijving snel gaan slippen.

- Neem een stevige positie op de loopmat aan.
- Houd de voorhandgreep vast en duw de loopmat met uw voeten vooruit en achteruit. De loopmat moet soepel en gelijkmatig lopen zonder geluid te maken.
- Als de loopmat niet soepel en gelijkmatig loopt of als de loopmat helemaal niet beweegt, raak dan met uw vingertoppen de onderkant van de loopmat aan om de smering te controleren:
 - Als u smeermiddel voelt of als uw vingertoppen glimmen, dan bevindt zich nog voldoende smering op de loopmat.
 - Als u geen smeervet voelt of als uw vingertoppen stoffig of ruw aanvoelen, breng dan smeermiddel (± 10 ml.) aan in het midden van de loopmat onder de band zelf en laat het toestel minstens 5 minuten bij 5 km/h lopen.
 - Na het smeren mag u het toestel pas inklappen nadat u gedurende 2 minuten een training hebt uitgevoerd op een snelheid van ten minste 5 km/u. Hierdoor wordt het smeermiddel volledig door de loopband geabsorbeerd en gelijkmatig verspreid.

!! OPMERKING

- Als 5 km/u voor u te snel is, loop dan op de door u gewenste snelheid, maar verleng de duur dan wel tot minimaal 5 minuten.



Klik om onze ondersteunende YouTube-video te bekijken
<https://youtu.be/ceaOYnofY5k>

Bandafstellingen

De prestaties van het apparaat zijn afhankelijk van het feit of het frame op een redelijk vlak oppervlak staat. Als het frame niet waterpas staat, kunnen de voor- en achterrollers niet parallel draaien, waardoor de band constant opnieuw moet worden afgesteld.

Het apparaat is zo ontworpen dat de band tijdens gebruik zoveel mogelijk in het midden blijft. Het is bij sommige banden normaal dat deze naar de zijkant bewegen terwijl de band loopt zonder dat er iemand op staat. Na enkele minuten van gebruik zal de band de neiging hebben zich te centreren. Als tijdens gebruik de band nog steeds naar de zijkant beweegt, is afstelling noodzakelijk.

UITZONDERING:

tijdens revalidatie, waarbij het ene been van de gebruiker sterker is dan het andere, kan het voorkomen dat de band naar de zijkant beweegt. In dat geval moet u de bandloop niet opnieuw afstellen, tenzij de band zich bij normaal gebruik niet centreert.

Loopmat spanning afstellen:

U dient afstellingen toe doen bij de achterste roller. De afstelbouten bevinden zich aan het einde van de staprails in de eindkapjes,

- Draai de achterste rollerbouten net genoeg aan (rechtson) om verschuiving bij de voorste roller te voorkomen. Draai beide afstelbouten voor de bandspanning aan in stappen van 1/4 slag en controleer op juiste spanning door op de band te lopen met lage snelheid. Zorg dat de band niet verschuift. Blijf de bouten aandraaien totdat de band niet meer verschuift.
- Als u van mening bent dat de bandspanning goed is maar de band nog steeds verschuift, wordt het probleem mogelijk veroorzaakt door een losse motoraandrijfriem onder de voorkap.
- Niet te strak aandraaien. Als u de bouten te strak aandraait, raakt de band beschadigt en zullen de lagers vroegtijdig slijten.



Klik om onze ondersteunende YouTube-video te bekijken
https://youtu.be/pp4_4bL1MXo

Centreren van de loopband (fig. F-5)

De loopband moet worden gecentreerd wanneer deze niet in het midden van het loopoppervlak loopt. Dit kunt u gemakkelijk zien wanneer de spleet tussen zijwand en de loopband aan de ene kant aanzienlijk groter is dan aan de andere kant. De oorzaak hiervan is mogelijk:

OOORZAAK 1

U gebruikt tijdens de training één been krachtiger bij de afzet. Hierdoor wordt de band naar de zijkant geduwd, maar dit wordt automatisch gecorrigeerd als u de loopband enkele minuten onbelast laat lopen.

OOORZAAK 2

Het toestel staat niet waterpas, waardoor de loopband door de zwaartekracht langzaam naar het laagste punt van het toestel wordt getrokken. Dit kunt u uitsluitend corrigeren door de loopband goed waterpas te zetten. Het probleem kan namelijk niet worden opgelost door middel van een andere afstelling.

OOORZAAK 3

De loopband is niet goed gecentreerd tussen de voorste en achterste roltrommel. Dit moet worden gecorrigeerd door de sporing van de loopband aan te passen zoals hieronder wordt beschreven.

Om de sporing van de loopband aan te passen, gebruikt u de inbussleutel die bij de loopband is meegeleverd.

- Stel de loopband in op een snelheid van ongeveer 5 km/u als er niet op wordt gelopen.
- Wanneer de loopband naar rechts spoort. Draai de linker afstelbout voor de achterrol, die zich aan de achterkant in een bus onder de afdekplaat van de achterrol bevindt, 1/4 slag linksom.
- Wanneer de loopband naar links spoort. Draai de rechter afstelbout voor de achterrol, die zich aan de achterkant in een bus onder de afdekplaat van de achterrol bevindt, 1/4 slag linksom.
- Wacht ongeveer 2 minuten om de loopband de tijd te geven op de afstelling te reageren voordat u - indien nodig - de afstelstappen herhaalt om het gewenste resultaat te bereiken.

!! OPMERKING

- Houd er rekening mee dat een kleine aanpassing een groot verschil kan maken, dus voer de aanpassingen uit in kleine stapjes.



Klik om onze ondersteunende YouTube-video te bekijken
<https://youtu.be/qx5AvTv00J4>

De bandloop moet mogelijk periodiek opnieuw worden afgesteld, afhankelijk van gebruik en loop-/renkarakteristieken. Sommige gebruikers zullen een ander effect hebben op de bandloop. Ga ervan uit dat u afstellingen zult moeten doorvoeren om de band te centreren. Afstellingen zullen steeds minder een onderhoudsprobleem worden naarmate de band meer wordt gebruikt. Juiste bandloop is de verantwoordelijkheid van de eigenaar en is van toepassing op alle loopbanden.

!! LET OP

- Schade aan de band als gevolg van onjuiste afstelling van bandloop/bandspanning valt niet onder de garantie.

Gebruiksstorings

Ondanks voortdurende kwaliteitscontroles, kunnen er defecten of storings optreden die het gevolg zijn van het niet goed functioneren van onderdelen die in de looptrainer zijn gebruikt. In de meeste gevallen is het onnodig om het gehele apparaat ter reparatie aan te bieden, aangezien de storing meestal kan worden opgelost door het vervangen van het defecte onderdeel.

Mochten er storings optreden bij het gebruik van de trainer, neem dan onmiddellijk contact op met uw Tunturi dealer. Vermeldt daarbij altijd het model en het serienummer van uw Tunturi trainer, de eventuele storingscode en door wie de trainer is geïnstalleerd.

Vermeldt bij het bestellen van onderdelen het model, het serienummer van het apparaat en het nummer van het onderdeel. Op de laatste pagina's van deze gids vindt u de onderdelenlijst.

Foutcodes

Als de display een foutcode toont (aangegeven met "E" + nummer), start dan het toestel opnieuw op en controleer of de foutcode nog steeds op de display verschijnt. Als de display nog steeds de foutcode toont, neem dan onmiddellijk contact op met de dealer.

Oil

OIL is geen foutcode, zie "Smeren".

E5

Storing aan/uit-schakelaar.

Wacht ten minste 30 seconden wanneer u de T90 hardloopband opnieuw opstart. De hardloopband moet 30 seconden zijn uitgeschakeld voordat u het apparaat opnieuw opstart. Als u te snel opstart, wordt altijd foutcode E5 weergegeven. De controller van de wisselspanningsmotor heeft meer tijd nodig om volledig uit te schakelen en blijft ten minste 15 seconden actief nadat de console is uitgeschakeld.

Los het probleem op door de hardloopband uit te schakelen met behulp van de aan/uit-schakelaar. Wacht 30 seconden en zet de aan/uit-schakelaar weer op ON. Foutcode E5 wordt niet meer weergegeven.
Als de foutcode wel opnieuw wordt weergegeven, neemt u contact op met uw dealer voor onderhoud.

E7

Monitor laat code E7 zien als veiligheidssleutel niet, of niet juist is geplaatst.
E7 is geen foutcode, zie "Veiligheidssleutel"

Transport en opslag

⚠ WAARSCHUWING

- Verwijder voor reiniging of onderhoud de stekker uit het stopcontact.
- Draag en verplaats het toestel met minstens twee personen.
- Zorg ervoor dat zich geen andere personen of voorwerpen onder het toestel bevinden.
- Zorg er bij het inklappen van het toestel voor dat u hoort dat het toestel op zijn plaats vergrendelt ter voorkoming dat het toestel omlaag komt.

⚠ VOORZICHTIG

- Zorg er voor het inklappen van het toestel voor dat de helling van het toestel 0% is. Als de helling niet 0% is, wordt het mechanisme door het inklappen beschadigd.
- Verplaats het toestel zoals afgebeeld (fig. F3). Verplaats het toestel en zet het voorzichtig neer. Zorg voor een beschermende laag onder het toestel om schade aan het vloeroppervlak te voorkomen. Verplaats het toestel voorzichtig over een ongelijke ondergrond. Breng het toestel niet met behulp van de wielen naar boven, maar draag het toestel bij de handgrepen.
- Berg het toestel in staande positie op (fig. F1). Berg het toestel op een droge plaats op met zo weinig mogelijk temperatuurwisselingen.

Garantie

Garantie voor eigenaars van Tunturi trainingsapparatuur

Garantievoorwaarden

De consument heeft recht op de geldende wettelijke rechten met betrekking tot de handel in consumptiegoederen die worden vermeld in de nationale wet- en regelgeving. Deze garantie zal deze rechten niet beperken. De garantie voor de eigenaar geldt alleen wanneer het apparaat wordt gebruikt in een door Tunturi New Fitness BV voor dat specifieke apparaat toegestane omgeving en wordt onderhouden volgens de aanwijzingen. De goedgekeurde omgeving en onderhoudsinstructies voor het product staan vermeld in de "gebruikershandleiding" van het product. De "gebruikershandleiding" kan worden gedownload van onze website. <http://manuals.tunturi.com>

Garantievoorwaarden

De garantievoorwaarden gaan in vanaf de datum van aankoop. Deze kunnen per land verschillen. Vraag in de winkel bij u in de buurt naar de garantievoorwaarden.

Garantiedekking

In geen enkele omstandigheid zal Tunturi New Fitness BV of een wederverkoper van Tunturi aansprakelijk zijn voor eventuele indirecte schade geleden door de koper, zoals verlies van gebruiksruimte of inkomstenderving of andere indirecte economische gevolgen.

Garantiebeperkingen

De garantie dekt defecten van het toestel die het gevolg zijn van materiaalfouten of onjuist uitgevoerd werk, mits het toestel zijn originele samenstelling heeft. De garantie betreft alleen defecten die blijken tijdens normaal gebruik overeenkomstig de meegeleverde gebruiksaanwijzing, mits de montage-, onderhouds- en gebruiksaanwijzingen van Tunturi zijn opgevolgd. Tunturi New Fitness BV en zijn wederverkopers zijn niet aansprakelijk voor defecten tengevolge van factoren waarop zij geen invloed kunnen uitoefenen. De garantie betreft alleen de eerste eigenaar van het toestel en is alleen geldig in landen waar een geautoriseerde importeur van Tunturi New Fitness BV is gevestigd. De garantie betreft geen trainingstoestellen of onderdelen die zijn gewijzigd zonder toestemming van Tunturi New Fitness BV. De garantie dekt geen defecten tengevolge van normale slijtage, onjuist gebruik, gebruik in omstandigheden waarvoor het toestel niet is bedoeld, corrosie of schade ontstaan tijdens laden of transport.

De garantie geldt niet voor geluiden die ontstaan door het gebruik, als ze het gebruik van het apparaat niet wezenlijk belemmeren en niet veroorzaakt zijn door een defect aan het apparaat.

De garantie omvat ook geen onderhoudsmaatregelen, zoals reiniging, smering of normale inspectie van onderdelen, noch dergelijke montagewerkzaamheden die de klant zelf kan uitvoeren en die geen speciale demontage en montage van het toestel vereisen. Dit soort maatregelen zijn bijv. vervanging van monitoren, pedalen of andere vergelijkbare eenvoudige onderdelen. Garantieherstel dat is uitgevoerd door een ander dan de geautoriseerde Tunturi-vertegenwoordiger wordt niet vergoed. De garantie geldt alleen voor normaal, voorgeschreven gebruik van het product zoals beschreven in de handleiding.

Technische gegevens

Parameter	Meet- eenheid	Waarde
Netspanning	VAC	210~240
Spanning frequentie	HZ	50~60
Snelheid	Km/H	0.8~24.0
Helling-graad	Stap	0~15
Lengte / (ingeklapt)	Cm	192.4 / (137.0)
Lengte / (ingeklapt)	Inch	75.7 / (53.9)
Breedte	Cm	92.1
Breedte	Inch	36.3
Hoogte / (ingeklapt)	Cm	149.1 / (155.0)
Hoogte / (ingeklapt)	Inch	58.7 / (61.0)
Gewicht	Kg	117.0
Gewicht	Lbs	257.9
Max. gebruikers gewicht	Kb	150
Max. gebruikers gewicht	Lbs	330
Hartslagmeting beschikbaar via:	Handgreep contact	Ja
	5.0 Khz	Nee
	5.3 Khz.	Nee
	Bluetooth (BLE)	Ja
	ANT+	Nee

!! OPMERKING

- Zie illustratie J voor de productafmetingen en functionele afmetingen.



Verklaring van de fabrikant

Tunturi New Fitness BV verklaart dat de Signature T90 Loopband voldoet aan de volgende normen en richtlijnen:

- RoHS-richtlijn (2011/65/EU)
- Machinerichtlijn (2006/42/EC)

Hierbij verklaart Tunturi New Fitness BV dat het radioapparaattype Signature T90 Loopband voldoet aan de Richtlijn 2014/53/EU.

De conformiteitsverklaring met alle normen en richtlijnen kan worden gedownload op onze website: <https://doc.tunturi.com>

Tunturi New Fitness BV
Purmerweg 1
1311 XE Almere
Nederland

Disclaimer

© 2025 Tunturi New Fitness BV
Alle rechten voorbehouden.

- Het product en de handleiding zijn aan veranderingen onderhevig.
- Specificaties kunnen zonder verdere kennisgeving worden veranderd.
- Raadpleeg onze website voor de meest recente versie van de gebruikershandleiding.

Italiano

Questo manuale in lingua italiana è una traduzione dalla versione originale del manuale in lingua inglese.
Non si possono trarre diritti di traduzione dalla presente traduzione.

Indice

Benvenuti	65
Precauzioni di sicurezza.....	65
Sicurezza elettrica.....	66
Istruzioni di montaggio.....	66
Illustrazione di descrizione A.....	66
Illustrazione di descrizione B.....	66
Illustrazione di descrizione C.....	66
Illustrazione di descrizione D.....	66
Accessori (fig. H).....	67
Informazioni aggiuntive sull'assemblaggio	67
Informazioni ambientale aggiuntive.....	67
Allenamenti.....	67
Istruzioni per l'esercizio	67
Frequenza cardiaca	68
Utilizzo.....	68
Regolazione dei piedini di appoggio.....	69
Console (fig. E-1)	69
Pulsanti	69
Spiegazione degli elementi visualizzati.....	70
Spiegazione del bip acustico del display.....	70
Funzione USB	70
Programmi.....	70
Avvio rapido	70
Modalità target conto alla rovescia (P0).....	71
Terminare l'allenamento.....	71
Programmi preimpostati (P1~P36).....	71
Programmi utente (U01~U03)	71
Grasso corporeo.....	71
Programma HRC	72
Funzione ERP	72
Metrico/ Imperiale regolazione	72
Bluetooth & APP	73
Pulizia e manutenzione	73
Pulizia generale	73
Cinghia e Pedana per la corsa	73
Lubrificazione (fig. F-6).....	73
Registrazioni della cinghia.....	74
Disturbi durante l'uso	74
Codici di errore	74
Oil.....	74
E5	75
E7	75
Trasporto e stoccaggio	75
Garanzia.....	75
Dati tecnici.....	76
Dichiarazione del fabbricante	76
Clausola di esonero della responsabilità.....	76

Benvenuti

Benvenuti nel mondo di Tunturi Fitness!

Grazie per aver acquistato questo apparecchio Tunturi. Tunturi offre un'ampia gamma di apparecchi per fitness professionale, fra cui crosstrainer, tapis roulant, cyclette, vogatori, panche di forza e multi stazioni. Questo apparecchio Tunturi è adatto per tutta la famiglia, a prescindere dal livello di forma fisica. Per ulteriori informazioni, visitare il sito Web www.tunturi.com

Importanti istruzioni di sicurezza

Questo libretto di istruzioni è una parte essenziale della tua attrezzatura da ginnastica. Leggi con attenzione quanto scritto in questa guida, prima del montaggio dei pezzi e prima di fare uso dell'attrezzo o di effettuarne qualunque manutenzione. Ti raccomandiamo pure di conservare la presente guida in un luogo sicuro e a portata di mano; essa ti fornirà, adesso e nel futuro, tutte le istruzioni necessarie all'uso e alla manutenzione della tua attrezzatura da ginnastica. Tali istruzioni devi seguirle sempre con molta attenzione!

Precauzioni di sicurezza

⚠ ATTENZIONE

- Leggere le precauzioni di sicurezza e le istruzioni. La mancata osservanza delle precauzioni di sicurezza e delle istruzioni può causare lesioni personali o danni all'apparecchio. Conservare gli avvisi di sicurezza e le istruzioni per future consultazioni.

⚠ ATTENZIONE

- Il sistema di monitoraggio della frequenza cardiaca può essere impreciso. L'eccessivo esercizio può causare serie lesioni o perfino il decesso. Se si avverte spossatezza, interrompere immediatamente l'allenamento.

- L'apparecchio è adatto esclusivamente per un uso domestico, non professionale.
- Questo apparecchio può essere utilizzato da bambini di età pari o superiore a 8 anni e da persone con capacità fisiche, sensoriali o mentali ridotte o prive di esperienza e conoscenza, solo se sorvegliati o istruiti sull'uso sicuro dell'apparecchio e se comprendono i pericoli connessi.
- Sorvegliare i bambini per assicurarsi che non giochino con l'apparecchio.
- Prima di iniziare l'allenamento, consultare un medico per verificare il proprio stato di salute.
- Se si avvertono nausea, vertigini o altri sintomi anomali, interrompere immediatamente l'allenamento e consultare un medico.
- Per evitare dolori muscolari e sforzi, iniziare ogni allenamento con una fase di riscaldamento e terminare ogni allenamento con una fase di defaticamento. Ricordarsi di eseguire lo stretching al termine dell'allenamento.
- L'apparecchio è adatto esclusivamente per un uso in interni. L'apparecchio non è idoneo per un uso all'aperto.
- Utilizzare l'apparecchio in un ambiente con ventilazione adeguata. Non utilizzare in ambienti esposti alle correnti d'aria per non prendere un raffreddore.
- Utilizzare l'apparecchio esclusivamente in ambienti con temperature comprese fra 10 °C e 35 °C. Conservare l'apparecchio esclusivamente in ambienti con temperature comprese fra 5 °C e 45 °C.
- Non utilizzare o riporre l'apparecchio in ambienti umidi. L'umidità dell'aria non deve mai superare l'80%.

- Utilizzare l'apparecchio solo per lo scopo previsto. Non utilizzare l'apparecchio per scopi diversi da quelli descritti nel manuale.
- Non usare l'apparecchio se presenta parti danneggiate o difettose. In caso di parti danneggiate o difettose contattare il rivenditore.
- Mantenere mani, piedi e le altre parti del corpo lontani dalle parti in movimento.
- Tenere i capelli lontani dalle parti in movimento.
- Indossare indumenti e scarpe adatti.
- Mantenere abiti, gioielli e altri oggetti lontani dalle parti in movimento.
- Controllare che l'apparecchio venga utilizzato da una sola persona alla volta. L'apparecchio non deve essere utilizzato da persone di peso superiore a 150 kg (330 lbs).
- Non smontare l'apparecchio senza aver consultato il rivenditore..

Sicurezza elettrica

(valido solo per apparecchi elettrici)

- Prima dell'uso, verificare sempre che la tensione della rete elettrica corrisponda alla tensione riportata sulla targhetta nominale dell'apparecchio.
- Non utilizzare cavi di prolunga.
- Tenere il cavo di alimentazione lontano da fonti di calore, olio e bordi affilati.
- Non alterare o modificare il cavo o la spina di alimentazione.
- Non utilizzare l'apparecchio se il cavo o la spina di alimentazione sono danneggiati o difettosi. Se il cavo o la spina di alimentazione risultano danneggiati o difettosi, contattare il rivenditore.
- Svolgere sempre completamente il cavo di alimentazione
- Non far passare il cavo di alimentazione sotto l'apparecchio. Non far passare il cavo di alimentazione sotto un tappeto. Non collocare alcun oggetto sul cavo di alimentazione.
- Verificare che il cavo di alimentazione non sporga sul bordo di un tavolo. Verificare che il cavo di alimentazione non possa rimanere accidentalmente impigliato o causare inciampanti.
- Non lasciare l'apparecchio incustodito quando la spina di alimentazione è collegata alla presa a muro.
- Non tirare il cavo di alimentazione per rimuovere la spina dalla presa a muro.
- Scollegare la spina di alimentazione dalla presa a muro quando l'apparecchio non è in uso, prima di assemblare o di smontare l'apparecchio o di qualsiasi intervento di pulizia o manutenzione.

⚠ ATTENZIONE

- Se il voltaggio varia del dieci per cento (10%) o più, le prestazioni del vostro tapis roulant potrebbero essere influenzate. Tali condizioni non sono coperte dalla vostra garanzia. Se sospettate che il voltaggio sia basso, contattate la vostra azienda elettrica locale o un elettricista qualificato per fare dei test appropriati.

⚠ ATTENZIONE

- Non far passare il cavo di alimentazioni vicino a parti in movimento del tapis roulant, incluso il meccanismo di sollevamento e le ruote di trasporto.

⚠ AVVERTENZA

- Non utilizzare mai acqua o altri liquidi direttamente sull'attrezzo o vicino ad esso, ma solo un panno umido se serve un po' di umidità per pulire la macchina.
- L'uso diretto di liquidi è dannoso per i componenti dell'attrezzo e può provocare una scossa elettrica causata da un cortocircuito. Ciò potrebbe causare lesioni personali gravi o addirittura la morte.
- L'apparecchio deve essere utilizzato esclusivamente con il cavo di alimentazione fornito con l'apparecchio stesso.

Istruzioni per la messa a terra

Questo prodotto va messo a terra. Se il sistema elettrico del tapis roulant non funziona bene o rompersi, la messa a terra fornisce un percorso di resistenza inferiore per la corrente elettrica, riducendo il rischio di scossa elettrica. Questo prodotto è dotato di un cavo che una spina di messa a terra. La spina deve essere inserita in una presa idonea che sia stata installata correttamente e che sia messa a terra secondo le procedure e le ordinanze locali.

⚠ AVVERTIMENTO

- Un collegamento scorretto del conduttore di messa a terra dell'apparecchio può comportare un rischio di scossa elettrica. In caso di dubbi sulla corretta messa a terra di questo prodotto, consultare un elettricista o addetto all'assistenza qualificato. Non modificare la spina fornita con il prodotto se non dovesse entrare nella presa di corrente; farsi installare una presa di corrente idonea da un elettricista qualificato.

Istruzioni di montaggio

Illustrazione di descrizione A

L'illustrazione mostra l'aspetto del trainer una volta completato l'assemblaggio.

È possibile utilizzarla come riferimento durante l'assemblaggio, ma è importante seguire sempre i passaggi di assemblaggio nella sequenza corretta come illustrato.

Illustrazione di descrizione B

L'illustrazione mostra quali componenti e parti sono presenti al momento del disimballaggio del prodotto.

!! NOTA

- Le parti di piccole dimensioni potrebbero trovarsi nascoste o infilate in spazi ristretti nella protezione del prodotto in Styrofoam
- Se una parte manca, contattare il rivenditore.

Illustrazione di descrizione C

L'illustrazione mostra il kit di attrezzatura fornito con il prodotto. Il kit di attrezzatura contiene bulloni, rondelle, viti, dadi ecc. e gli strumenti necessari per installare correttamente il trainer.

Illustrazione di descrizione D

Le illustrazioni mostrano di seguito l'ordine corretto con cui assemblare il trainer nel modo migliore.

⚠ ATTENZIONE

- Assemblare l'apparecchio nell'ordine indicato.
- Per trasportare e spostare l'apparecchio sono necessarie almeno due persone.

⚠ AVVISO

- Collocare l'apparecchio su una superficie stabile e in piano.
- Collocare l'apparecchio su una base protettiva per evitare danni alla superficie del pavimento.
- Mantenere uno spazio libero di almeno 1 m intorno all'apparecchio.
- Consultare le illustrazioni per il corretto assemblaggio dell'apparecchio.

!! NOTA

- Conservare tutti gli utensili forniti con questo prodotto, dopo aver completato il montaggio del prodotto, per eventuali necessità di assistenza in futuro.

Accessori (fig. H)

!! NOTA

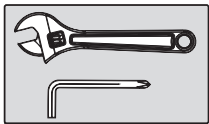
- L'illustrazione mostra l'attrezzo con i corrimani estesi adatti.
- I corrimani estesi aggiuntivi si possono acquistare come accessori.
- N. articolo: 22TRNRH000

Contattare il proprio rivenditore per ulteriori informazioni.

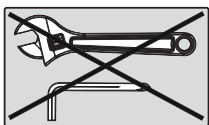
Informazioni aggiuntive sull'assemblaggio

Serrare dadi e bulloni

Per evitare che le parti montate del telaio risultino non correttamente allineate, si consiglia di eseguire i primi passaggi qui seguenti prima di serrare completamente la bulloneria. Ciò lascerà la possibilità di riposizionare le parti precedentemente montate, consentendo all'assemblaggio complessivo di procedere più agevolmente. Si consiglia quindi di seguire le istruzioni riportate di seguito.



Fissare saldamente dadi e bulloni una volta che tutti i componenti sono stati assemblati nei passaggi correnti e precedenti.



Non fissare tutti i dadi e i bulloni in questo passaggio. Il serraggio a mano è sufficiente.

Informazioni ambientale aggiuntive

Smaltimento dell'imballo

Le linee guide governative chiedono di ridurre la quantità di rifiuti smaltiti nelle discariche. Per questo vi chiediamo di smaltire in modo responsabile tutti i rifiuti d'imballo presso dei centri di riciclaggio pubblici.

Smaltimento a fine vita

Noi di Tunturi speriamo che possiate godervi molti anni di piacevole uso dal nostro fitness trainer. Tuttavia, arriverà il momento quando il vostro fitness trainer arriverà alla fine della sua vita utile. Secondo la Legislazione Europea WEEE voi siete responsabili per uno smaltimento appropriato del vostro fitness trainer presso una struttura di raccolta pubblica autorizzata.

Allenamenti

L'allenamento deve essere adeguatamente leggero ma di lunga durata. L'esercizio aerobico si basa sul miglioramento del consumo massimo di ossigeno del corpo che a sua volta migliora resistenza e forma fisica. Durante l'allenamento è necessario sudare ma non arrivare all'affanno. Per raggiungere e mantenere una forma fisica di base, allenarsi almeno tre volte alla settimana, per 30 minuti alla volta. Aumentare il numero di sessioni di esercizio per migliorare il livello di forma fisica. È importante combinare l'esercizio regolare con una dieta salutare. Una persona impegnata a seguire una dieta dovrà allenarsi quotidianamente, iniziando con 30 minuti o meno e

aumentando gradualmente l'allenamento giornaliero fino ad un'ora. Iniziare l'allenamento a bassa velocità e con scarsa resistenza per evitare di sottoporre a uno stress eccessivo il sistema cardiovascolare. Man mano che il livello di forma fisica aumenta, è possibile aumentare gradualmente anche velocità e resistenza. L'efficienza dell'allenamento può essere misurata monitorando la frequenza cardiaca e le pulsazioni.

Istruzioni per l'esercizio

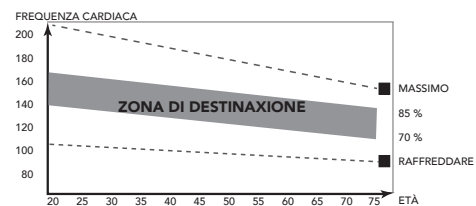
L'utilizzo del vostro fitness trainer vi darà diversi benefici, migliorerà la vostra forma fisica, tono muscolare e, insieme a una dieta con le calorie sotto controllo, vi aiuterà a perdere peso.

La fase di riscaldamento

Questa fase aiuta a far scorrere il sangue nel corpo e a far funzionare correttamente i muscoli. Ridurrà anche il rischio di crampi e di lesioni muscolari. Si consiglia di fare qualche esercizio di stretching come mostrato qui di seguito. Ogni esercizio di stretching andrebbe mantenuto per circa 30 secondi, non forzare o strappare i muscoli durante l'esercizio, se si sente un dolore FERMARSI SUBITO

La fase dell'esercizio

Questa è la fase dove fate il vostro sforzo. Dopo un uso regolare, i muscoli delle vostre gambe diventeranno più flessibili. Lavorare nell'ottica del vostro obiettivo è molto importante per mantenere un ritmo costante durante l'esercizio. La velocità del vostro lavoro dovrebbe essere sufficiente per aumentare il vostro battito cardiaco nella zona target mostrata sul grafico qui sotto.



Questa fase dovrebbe durare almeno 12 minuti anche se la maggior parte delle persone inizia a circa 15-20 minuti

La fase di defaticamento

Questa fase consente al vostro sistema cardiovascolare e ai vostri muscoli di rilassarsi. Questa è una ripetizione dell'esercizio di riscaldamento, cioè riduce il vostro ritmo, e continua per circa 5 minuti. Gli esercizi di stretching adesso andrebbero ripetuti, ricordandosi sempre di non forzare o strappare i vostri muscoli nello stretching.

A mano a mano che sarete più in forma, potreste aver bisogno di allenarvi di più e più a lungo. Si consiglia di allenarsi almeno tre volte alla settimana, e se possibile, spalmare gli esercizi in

Tono muscolare

Per tonificare i muscoli mentre siete sul vostro fitness trainer dovrete impostare la resistenza abbastanza alta. Questo sforzerà di più i muscoli delle vostre gambe e potrebbe voler dire che non potrete allenarvi per il tempo che avreste desiderato. Se anche voi state cercando di migliorare la vostra forma dovrete modificare il vostro programma di allenamento. Dovreste allenarvi normalmente durante le fasi di riscaldamento e di defaticamento, ma verso la fine della fase dell'esercizio dovrete aumentare la resistenza, per fare lavorare di più le vostre gambe. Dovrete ridurre la vostra velocità per mantenere la vostra frequenza cardiaca nella zona target.

Perdere peso

Qui il fattore importante è la quantità di sforzo che mettete. Più forte e a lungo lavorate e più calorie brucerete. In effetti è uguale a come se stesse allenandovi per migliorare la vostra forma, la differenza è l'obiettivo.

Frekuensi Cardiac

Misurazione delle pulsazioni (sensori del cardiofrequenzimetro)

Le pulsazioni vengono misurate da sensori posti sulle impugnature quando l'utente tocca entrambi i sensori contemporaneamente. Un'accurata misurazione delle pulsazioni richiede che la pelle sia leggermente umida e costantemente a contatto con i sensori del cardiofrequenzimetro. Se la pelle è troppo asciutta o troppo bagnata, la misurazione delle pulsazioni diventa meno accurata.

!! NOTA

- Non utilizzare i sensori del cardiofrequenzimetro in combinazione con una fascia toracica per la misurazione della frequenza cardiaca.
- Impostando un limite per la frequenza cardiaca, viene generato un allarme acustico al superamento di tale limite.

Misurazione della frequenza cardiaca (fascia toracica)

!! NOTA

- La fascia toracica non è di serie con questa macchina. Se si desidera utilizzare una fascia toracica wireless, è necessario acquistarla come accessorio.

La misurazione della frequenza cardiaca più accurata si ottiene tramite una fascia cardiaca. La misurazione viene effettuata da un ricevitore della frequenza cardiaca combinato con una fascia toracica trasmittente. Per un'accurata misurazione della frequenza cardiaca, gli elettrodi sulla fascia del trasmettitore devono essere leggermente umidi e costantemente a contatto con la pelle. Se gli elettrodi sono troppo asciutti o troppo bagnati, la misurazione della frequenza cardiaca diventa meno accurata.

⚠ ATTENZIONE

- Se l'utente è portatore di pacemaker, consultare un medico prima di utilizzare una fascia toracica per la misurazione della frequenza cardiaca.

⚠ AVVISO

- In presenza di numerosi dispositivi per la misurazione della frequenza cardiaca vicini, verificare che siano almeno ad una distanza di 1,5 metri uno dall'altro.
- In presenza di un solo ricevitore e numerosi trasmettitori di frequenza cardiaca, verificare che solo una persona con un trasmettitore sia all'interno del campo di trasmissione.

!! NOTA

- Non utilizzare i sensori del cardiofrequenzimetro in combinazione con una fascia toracica per la misurazione della frequenza cardiaca.
- Indossare sempre la fascia toracica sotto gli abiti a diretto contatto con la pelle. Non indossare la fascia toracica sopra gli abiti. Indossando la fascia toracica sopra gli abiti, non sarà trasmesso alcun segnale.
- Impostando un limite per la frequenza cardiaca, viene generato un allarme acustico al superamento di tale limite.
- Il trasmettitore trasmette la frequenza cardiaca alla console fino ad una distanza di 1 metro. Se gli elettrodi non sono umidi, la frequenza cardiaca non viene visualizzata sul display.
- Alcune fibre negli abiti (ad es. poliestere, poliammide) creano elettricità statica che può impedire un'accurata misurazione della frequenza cardiaca.
- Cellulari, TV e altri apparecchi elettrici creano un campo magnetico che può impedire un'accurata misurazione della frequenza cardiaca.

Massima frequenza cardiaca (durante l'allenamento)

La massima frequenza cardiaca è la frequenza cardiaca più elevata che una persona può raggiungere in sicurezza durante lo stress dell'allenamento. Per calcolare la massima frequenza cardiaca media, viene utilizzata la seguente formula: $220 - \text{ETÀ}$. La massima frequenza cardiaca varia da persona a persona.

⚠ ATTENZIONE

- Porre attenzione a non superare la massima frequenza cardiaca durante l'allenamento. In caso di appartenenza ad un gruppo a rischio, consultare un medico.

Principianti 50-60% della massima frequenza cardiaca

Adatta per persone in fase di dieta dimagrante, principianti, convalescenti e per chi non fa esercizio da molto tempo. Allenarsi almeno tre volte alla settimana, per 30 minuti alla volta.

Livello avanzato 60-70% della massima frequenza cardiaca

Adatta per coloro che desiderano migliorare e mantenere la forma fisica. Allenarsi almeno tre volte alla settimana, per 30 minuti alla volta.

Esperti 70-80% della massima frequenza cardiaca

Adatta per le persone in perfetta forma fisica abituate ad allenamenti che richiedono molta resistenza.

Utilizzo

Interruttore di alimentazione principale (fig. E-2A)

L'apparecchio è dotato di un interruttore di alimentazione principale per spegnere completamente l'apparecchio.

Per avviare l'apparecchio:

- Inserire la spina elettrica nell'apparecchio.
- Inserire la spina elettrica nella presa di corrente.
- Mettere l'interruttore principale in posizione on.

Per spegnere l'apparecchio:

- Mettere l'interruttore di alimentazione su off.
- Togliere la spina elettrica dalla presa elettrica.
- Togliere la spina elettrica dall'apparecchio.

Chiave di sicurezza (Fig F-4)

L'attrezzo è dotato di una chiave di sicurezza che va inserita correttamente nella console per eseguire l'avvio. Se la chiave di sicurezza viene estratta parzialmente, si attiva la modalità di emergenza e l'attrezzo si fermerà immediatamente.

- Inserire la chiave di sicurezza nella fessura della console premendo verso l'interno.
- Accertarsi che la clip della chiave di sicurezza sia fissata bene ai propri indumenti. Accertarsi che la clip fissata ai propri indumenti sia fissata bene di modo che possa tirare fuori la chiave in caso di necessità.

!! NOTA

- La chiave di sicurezza non può essere tolta dall'unità, poiché è una struttura fissa.

!! NOTA

- La console mostrerà il codice E7 quando la chiave di sicurezza non è in posizione durante l'avvio.

Interruttore automatico (Fig. E-2B)

L'apparecchio è dotato di un interruttore automatico che interrompe il circuito quando il carico di elettricità supera la capacità massima. Se ciò si verifica, si deve premere l'interruttore automatico.

⚠ AVVERTIMENTO

- Prima di premere l'interruttore automatico, togliere la spina elettrica dall'apparecchio.

Se l'apparecchio si spegne, procedere nel seguente modo per riavviare l'apparecchio:

- Togliere la spina elettrica dall'apparecchio.
- Premere l'interruttore automatico per avviare l'apparecchio.
- Inserire la spina elettrica nell'apparecchio.

!! NOTA

- Alcuni interruttori automatici usati nelle case non sono idonei per i picchi di corrente che si possono verificare quando un tapis roulant viene acceso o anche durante l'uso normale. Se il vostro tapis roulant fa scattare l'interruttore automatico (anche se ha l'ampereaggio corretto e il tapis roulant è il solo apparecchio sul circuito) ma l'interruttore sul tapis roulant stesso non scatta, dovrete sostituire l'interruttore con un tipo adatto alle correnti di picco più elevate. Questo non è un difetto coperto dalla garanzia. Si tratta di una condizione che noi, in quanto produttori, non siamo in grado di controllare.

Aprire e ripiegare l'apparecchio (fig. F1-F2)

L'apparecchio può essere aperto per l'uso (fig. G1) e ripiegato per il trasporto e l'immagazzinaggio (fig. G2).

Fare riferimento alle illustrazioni per un modo corretto di aprire e ripiegare l'apparecchio.

⚠ ATTENZIONE

- Prima di richiudere l'apparecchio, accertarsi che l'inclinazione sia dello 0%. Se l'inclinazione non è allo 0%, l'azione di chiusura danneggerà il meccanismo.

Regolazione dei piedini di appoggio

L'attrezzo è dotato di piedini di appoggio regolabili.

Se risulta instabile, traballante o non ben livellata, questi piedini di appoggio possono essere regolati per apportare le correzioni richieste.

- Avvitare/svitare i piedini di appoggio come richiesto per mettere l'attrezzo in una posizione stabile e il più possibile livellata.
- Serrare il controdado* per bloccare i piedini di appoggio.

💡 CONSIGLIO RAPIDO

- È più facile farlo con due persone, dove una persona può inclinare l'attrezzo, mentre l'altra effettua la regolazione necessaria.



Cliccare per vedere il nostro video di supporto su YouTube
https://youtu.be/E_7agKqaUlc

!! NOTA

- L'attrezzo è più stabile se regolato più vicino al pavimento. Pertanto, iniziare a livellare l'attrezzo avvitando completamente tutti i piedini di appoggio, prima di svitare i piedini di appoggio per stabilizzare e livellare l'attrezzo.

Console (fig. E-1)**⚠ AVVISO**

- Non esporre la console alla luce solare diretta.
- Asciugare la superficie della console se è coperta da gocce di sudore.
- Non appoggiarsi sulla console.
- Toccare il display solo con la punta delle dita. Non toccare il display con le unghie o con oggetti appuntiti.

!! NOTA

- La console passa in modalità standby quando l'apparecchio non viene utilizzato per 4 minuti.

Pulsanti**Stop/ RESET**

- Premendo una sola volta, si arresta allenamento / tapis roulant dolcemente.
- Premendo due volte, si arresta allenamento / tapis roulant più velocemente.
- Per resettare la console, tenere premuto per 2 secondi in "modalità stop".

Start/Pausa

- Avvia l'allenamento selezionato, o riavvia l'allenamento messo in pausa quando si è in modalità pausa.
- Mette in pausa l'allenamento attivo.

Prog

- Premere per scorrere i programmi disponibili.
(P0/ P1~P36/ U01~U03/ HRC1~HRC3/ FAT)

Mode (Modalità)

- Scorrere fra i parametri di impostazione target nella modalità di programmazione.
- Reset target tempo quando si imposta l'obiettivo tempo per i programmi "P1~P36".
- Premere per bloccare i display LED di scansione multipli quando si è in modalità esercizio.
- Premere ancora per sbloccare e attivare nuovamente la modalità di scansione.

Speed + (Velocità +)

- Aumenta la velocità (0.8 ~ 24.0 km/h).
- Premendo una sola volta si aumenta la velocità di 0.1 km/h.
- Tenendo premuto per due secondi si aumenta la velocità più rapidamente.
- Scorrere i programmi e cambiare i valori nella modalità di programmazione.

Speed - (Velocità -)

- Diminuisce la velocità (0.8 ~ 24.0 km/h).
- Premendo una sola volta si diminuisce la velocità di 0.1 km/h.
- Tenendo premuto per due secondi si diminuisce la velocità più rapidamente.
- Scorrere i programmi e cambiare i valori nella modalità di programmazione.

Tasti di scelta rapida:

I tasti di scelta rapida sono impostati come 6, 9, 12.
Ad esempio, la velocità cambia da qualsiasi velocità a 9 km/h premendo il tasto di scelta rapida 9.

Tasti di accesso rapido barra velocità:

- + Uguale a Velocità +.
- - Uguale a Velocità -.

Incline + (Pendenza +)

- Aumenta la pendenza (0 ~ 15 +1).
- Scorrere i programmi e cambiare i valori nella modalità di programmazione.

Incline - (Pendenza -)

- Diminuisce la pendenza (0 ~ 15 -1).
- Scorrere i programmi e cambiare i valori nella modalità di programmazione.

Tasti di scelta rapida pendenza.

I tasti di scelta rapida Pendenza sono impostati come 0, 5, 10.
Ad esempio, il livello di pendenza cambia da qualsiasi livello a 5 premendo il tasto di scelta rapida Pendenza 5.

Tasti di accesso rapido barra pendenza:

- + : Uguale a Pendenza +.
- - : Uguale a Pendenza -.

Spiegazione degli elementi visualizzati

Speed (Velocità)

- Mostra la velocità effettiva del tapis roulant in modalità allenamento.
- Mostra l'obiettivo di velocità in modalità programmazione.
- Mostra la selezione del programma quando si è in modalità programma.

Incline (Pendenza)

- Visualizza la pendenza reale del tapis roulant in modalità allenamento.
- Mostra l'obiettivo di pendenza in modalità programmazione.

Distance (Distanza)

- Mostra la modalità di allenamento distanza percorsa.
- Mostra la distanza residua quando l'allenamento è in modalità conto alla rovescia.
- Mostra l'obiettivo di distanza quando si è in modalità di programmazione.

Time (Tempo)

- Mostra il tempo corso in modalità allenamento.
- Mostra il tempo residuo quando l'allenamento è in modalità conto alla rovescia.
- Mostra l'obiettivo di tempo quando si è in modalità di programmazione.

Steps (Passi)

La console visualizza il numero di passi percorsi durante l'allenamento.

!! NOTA

- Per essere stabile, la funzione contapassi integrata richiede un peso dell'utente di almeno 40 kg e una velocità minima impostata di 3 Km/h.
- Se il peso corporeo e/o la velocità impostata sono inferiori, la funzione può risultare meno stabile.

Cambiare le unità in questo modo:

- Tenere premuto il pulsante "Modalità" per due secondi per cambiare l'impostazione.

Heart (Cuore)

- Mostra la frequenza cardiaca in modalità allenamento, o "P" quando non viene misurata nessuna frequenza.

Calories (Calorie)

- Mostra le calorie K consumate in modalità allenamento.
- Mostra le calorie K residue quando l'allenamento è in modalità conto alla rovescia.
- Mostra l'obiettivo di calorie K quando si è in modalità di programmazione.

!! NOTA

- Questi dati sono una guida approssimativa per il confronto di diverse sessioni di allenamento e non possono essere usati nelle cure mediche.

Scan

- Visualizza la scansione di "Time/ Step", "Heart/ Incline" & "Calories/ Distance" ogni 5 secondi.
Per bloccare la propria schermata preferita premere Modalità, premere di nuovo modalità per sbloccare e riattivare la modalità Scansione.

Spiegazione del bip acustico del display

La console è progettata per notificare l'utente con un bip acustico. Questo serve per informare l'utente del cambiamento per un allenamento più sicuro.

La console notificherà l'utente nei seguenti casi:

- Quando si raggiunge un obiettivo che è stato preimpostato.
- Per annunciare un cambiamento di velocità o inclinazione per il programma selezionato.

Funzione USB

L'utente può collegare il dispositivo per caricare durante l'allenamento.

Tensione/ Corrente: 5VDC/ 1.0 Amp

Programmi

Avvio rapido

- Premere il pulsante "Start/Pausa" per iniziare l'allenamento senza alcuna impostazione predefinita.
- Il tapis roulant parte alla velocità minima di 1,0 Km/h e mantiene la pendenza impostata.
- Regolare la velocità/pendenza manualmente in qualsiasi momento per cambiare l'allenamento, e stop/pausa quando lo si desidera.

Modalità target conto alla rovescia (P0)

La macchina deve essere in modalità avvio per accedere alla modalità Target conto alla rovescia.

Tenere premuto il pulsante "Stop/Reset" per 2 secondi per impostare tapis roulant in modalità di avvio.

- Premere il pulsante "Modalità" per selezionare la modalità di target conto alla rovescia:
 - Modalità allenamento 1: Target tempo.
Usare i tasti "Speed + & -" per regolare il valore, quindi confermare premendo il pulsante di Mode.
Predefinito 30:00 min. Intervallo 5:00~95:00 ± 1:00.
 - Modalità allenamento 2: Target distanza.
Usare i tasti "Speed + & -" per regolare il valore, quindi confermare premendo il pulsante di Mode.
Predefinito 1,00 km. Intervallo 1.00~99.00 ± 1.0.
 - Modalità allenamento 3: Conto alla rovescia calorie.
Usare i tasti "Speed + & -" per regolare il valore. Predefinito 50.
Intervallo 20~9990 ± 10.
- Premere il tasto "Start/Pausa" per iniziare subito l'allenamento quando si imposta il target desiderato.

!! NOTA

- Quando si imposta un target, il tapis roulant si fermerà automaticamente una volta raggiunto il target preimpostato.
- È possibile impostare un solo target.

Terminare l'allenamento

- Mettere in pausa l'allenamento in qualsiasi momento premendo una volta il pulsante "Start/Pausa".
Il display visualizzerà "PAUSA" mentre si è in modalità pausa. Il tempo massimo di pausa preimpostato è di 4,30 min.
- Premere il pulsante "Start/Pausa" per riprendere l'allenamento mentre si è in modalità "PAUSA".
- Premere una volta il pulsante "STOP" per interrompere l'allenamento.
- Premere due volte "STOP" per resettare la console.

Programmi preimpostati (P1~P36)

L'apparecchio dispone di 36 programmi preimpostati con profili diversi. (Tabella fig. G.)

- Premere i pulsanti "Prog" per selezionare il programma "P1~P36".
- Impostare il tempo di allenamento desiderato
Usare i tasti "Speed + & -" per regolare il valore. Predefinito 30:00 min. Intervallo 5:00~95:00 ± 1:00.
- Premere il tasto "Start/Pausa" per iniziare l'allenamento.

!! NOTA

- La velocità e la pendenza sono controllate in funzione del programma selezionato.
- Un bip acustico informerà l'utente che ci sarà una modifica di velocità e/o pendenza entro alcuni secondi.
- La durata di ogni segmento è 1/16 del tempo di allenamento impostato.
- Velocità e pendenza si possono cambiare in qualsiasi momento, ma interesseranno solo il segmento del profilo attivo. Il programma seguirà nuovamente il profilo quando passerà al segmento del profilo successivo.

Programmi utente (U01~U03)

L'apparecchio dispone di 3 programmi utente.

Ciascuno può essere adattato in base alle esigenze personali. Ogni programma utente ha 16 passaggi. Per ogni passaggio è possibile impostare la velocità e la pendenza. Ogni passaggio impiega 1/16 del tempo totale.

- Premere i pulsanti "Prog" per selezionare il programma "U-1~U-3".
- Impostare il tempo di allenamento desiderato
Usare i tasti "Velocità/Pendenza + & -" per regolare il valore.
Predefinito 30:00 min.
Intervallo 5:00~95:00 ± 1:00.
- Premere il tasto "Start/Pausa" per iniziare l'allenamento.

Modalità programmazione profilo.

- Premere il pulsante "Prog" e selezionare U-1/ U-2 o U-3.
- Premere il pulsante "Modalità" per aprire la modalità di programmazione per il programma utente selezionato.
- Si aprirà il menu di programmazione del profilo in cui è possibile impostare i valori di velocità e inclinazione del primo dei 16 segmenti.
- Per impostare i valori:
 - Usare i tasti "Velocità + e -" per impostare la velocità desiderata.
 - Usare i tasti "Inclinazione + e -" per impostare l'inclinazione desiderata.
 - Conferma premendo il pulsante "Modalità".
- Si apre la modalità di programmazione per il segmento 2 del profilo di programma.
- La programmazione dei restanti 15 segmenti deve essere eseguita nello stesso modo, finché tutti i 16 segmenti non saranno impostati.
- Quando si conferma il 16° segmento, la finestra tempo lampeggerà per impostare il tempo di allenamento desiderato.
- Per impostare il tempo di allenamento:
 - Usare i tasti "Velocità + e -" per impostare il tempo di allenamento desiderato.
 - Impostazione predefinita: 30:00 min. / Intervallo impostazione: 5:00~99:00 ± 1:00.
- Premere il tasto "Start/Pausa" per avviare il programma.

!! NOTA

- Il profilo di programma utente programmato verrà salvato automaticamente in modo da poter essere utilizzato la volta successiva.

Grasso corporeo

Il programma Grasso corporeo serve a indicare lo stato fisico dell'utente sulla base dei parametri corporei e della frequenza cardiaca.

- Premere il pulsante "Modalità" per aprire la modalità programmazione.
- Premere i pulsanti "Prog" per selezionare il programma "8-1", quindi il pulsante "Modalità" per confermare.
- Il display mostra "F1" (SESSO).
Il display mostra "1"
Premere i pulsanti "Velocità/Pendenza + & -" per selezionare: 1: Maschio/ 2: Femmina. Premere il pulsante "Modalità" per confermare.
- Il display mostra "F2" (Età).
Il display mostra "25"
Premere i pulsanti "Su/Giù" per selezionare: 1~99
premere il pulsante "Modalità" per confermare.

- Il display mostra "F3" (Altezza).
Il display mostra "170" cm
Premere i pulsanti "Su/Giù" per selezionare: 100~220 cm
premere il pulsante "Modalità" per confermare.
- Il display mostra "F4" (Peso).
Il display mostra "70" kg
Premere i pulsanti "Su/Giù" per selezionare: 20~150 kg
premere il pulsante "Modalità" per confermare.
- Il display mostra "F5" (Attiva)
Impugnare i sensori di misurazione della frequenza cardiaca per attivare la misurazione "GRASSO".
Il risultato verrà visualizzato dopo circa 5~10 secondi. Vedere "Calcolo dei risultati".

⚠ ATTENZIONE

- Per questa funzione è necessario tenere i sensori di misurazione della frequenza cardiaca.

Calcolo dei risultati:

TIPO DI CORPO: (Rapporto grasso corporeo; 4 tipi)

Percentuale di grasso corporeo	0 ~ 17	Sottopeso
Percentuale di grasso corporeo	18 ~ 24	Standard
Percentuale di grasso corporeo	25 ~ 28	Sovrappeso
Percentuale di grasso corporeo	29 ~ +	Obesità

- BF = Grasso corporeo (in rapporto %)
- Il codice di errore "ER" sarà visualizzato se non è stata rilevata alcuna frequenza cardiaca durante il processo di misurazione del BF.
- Premere il pulsante "Stop/Reset" per uscire dal programma Grasso corporeo.

Programma HRC

Il programma HRC è un programma a velocità controllata basato sulla frequenza cardiaca. La velocità aumenta automaticamente quando la frequenza cardiaca è al di sotto dell'obiettivo e diminuisce quando viene superato.

- Premere i pulsanti "Prog" per selezionare "HRC"
HRC1: Il limite di velocità massimo preimpostato è di 8 km/h
HRC2: Il limite di velocità massimo preimpostato è di 12 km/h
HRC3: Il limite di velocità massimo preimpostato è di 16.0 km/h, programma.
- Impostando la propria età, il display visualizza "25"
Premere i pulsanti "Su/Giù" per selezionare: 1~99
premere il pulsante "Modalità" per confermare.
- Verrà visualizzata la frequenza cardiaca target, in funzione dell'età impostata. Frequenza cardiaca target = (220-età) x0,6
Premere i pulsanti "Su/Giù" per cambiare il valore target 60~200, premere il pulsante "Modalità" per confermare.
- Impostando il tempo di allenamento, il display visualizza "30:00"
Premere i pulsanti "Su/Giù" per selezionare: 5:00~99:00.
- Premere il tasto "Start/Pausa" per avviare il programma.

Funzione operativa HRC:

- Il programma HRC inizia con un tempo di riscaldamento di un minuto (la velocità non verrà regolata automaticamente)
- La velocità iniziale è 1,0 km/h, che può essere regolata manualmente a una velocità di riscaldamento confortevole.
- La console controlla la frequenza cardiaca ogni 30 secondi e controlla la velocità come indicato qui sotto.

Frequenza cardiaca	parametro	regolazione velocità
29+ BPM	Sotto target	+ 2,0 Km/h
6~29 BPM	Sotto target	+ 1,0 Km/h
0~5 BPM	Sotto target	Nessuna regolazione
0~5 BPM	Oltre il target	Nessuna regolazione
6~29 BPM	Oltre il target	- 1,0 Km/h
29+ BPM	Oltre il target	- 2,0 Km/h

!! NOTA

- L'impostazione della pendenza non è controllata in modalità programma HRC, ma può essere controllata dall'utente in qualsiasi momento per intensificare o facilitare l'allenamento.
- La velocità può essere cambiata in qualsiasi momento dall'utente.
- Quando la velocità supera il limite di velocità preimpostato, si regolerà automaticamente all'impostazione di velocità preimpostata.
- Se non viene rilevata alcuna frequenza cardiaca, il tapis roulant interrompe l'allenamento.

⚠ ATTENZIONE

- Per questa funzione è necessaria la misurazione della frequenza cardiaca.

Funzione ERP

La funzione ERP può arrestare automaticamente il tapis roulant in modalità sospensione se rimane inattivo per 4:30 minuti.

Questa funzione può essere attivata o disattivata nei seguenti modi:

- Quando il tapis roulant è in "modalità avvio", tenere premuto il tasto "Modalità" per 3 secondi per alternare fra la modalità On e Off.
 - Se il display visualizza "1111" indica la modalità On.
La macchina si sposterà in modalità sospensione dopo 4:30 minuti di inattività.
 - Se il display visualizza "2222" indica la modalità Off.
La macchina non si sposterà in modalità sospensione dopo 4:30 minuti di inattività.

⚠ ATTENZIONE

- Consigliamo di impostare sempre la funzione ERP in modalità On.

Metrico/ Imperiale regolazione

Quando la velocità visualizzata non corrisponde alla tua aspettativa, la macchina potrebbe essere impostata in modo errato.

Metrico:	Min./ Max. velocità:
	0.8 Km/h/ 24.0 km/h.
Imperiale:	Min./ Max. velocità:
	0.5 Mls/h/ 15.0 Mls/h.

Cambia unità per:

In modalità "ON":

Premere e tenere premuto il tasto "Prog" & "Speed -" per 3 secondi. La console mostra la modalità S-01:

- 0.6 Quando si passa alla modalità Imperiale.
- 1.0 Passato alla modalità Metrico.
- Tenere premuto il pulsante "Modalità" per due secondi per cambiare l'impostazione.

Premere il pulsante "Start/ Pause" per confermare l'impostazione e tornare nuovamente alla modalità utente.



Cliccare per vedere il nostro video di supporto su YouTube
<https://youtu.be/KOxI5obz-RQ>

Bluetooth & APP

- Questa console può collegare una APP al dispositivo smart tramite Bluetooth (iOS & Android).
- Una volta che la console è collegata al dispositivo smart tramite Bluetooth, la console si spegnerà.

!! NOTA

- Tunturi fornisce solo l'opzione per collegare la vostra console fitness tramite un collegamento bluetooth. Quindi Tunturi non può essere ritenuta responsabile di eventuali danni o malfunzionamento di prodotti che non siano prodotti Tunturi.
- Controllare il sito web per ulteriori informazioni.
www.tunturi.com

Pulizia e manutenzione

⚠ ATTENZIONE

- L'attrezzo da allenamento richiede una manutenzione mensile, anche quando non viene utilizzato.
 - Prima di qualsiasi intervento di pulizia o manutenzione, scollegare la spina di alimentazione dalla presa a muro.
 - Non utilizzare solventi per pulire l'apparecchio.
 - La pulizia e la manutenzione da parte dell'utente non devono essere eseguite da bambini senza supervisione.
- Non bloccare le aperture di ventilazione. Mantenere le aperture di ventilazione pulite da polvere, sporco e altre ostruzioni.
 - Pulire l'apparecchio con un panno morbido e assorbente dopo ogni uso.
 - Pulire la parti visibile dell'apparecchio con un aspirapolvere dotato di bocchetta a lancia.
 - Verificare regolarmente che tutte le viti e i dadi siano serrati.

⚠ ATTENZIONE

- Raccomandiamo di usare solo scarpe da interni sul tapis roulant. Se non si ha questo tipo di scarpe, è preferibile controllare le soles delle proprie scarpe prima di usarle sul tapis roulant per accertarsi che siano pulite, poiché il tapis roulant non può essere utilizzato se è presente della sporcizia proveniente dall'esterno.

Pulizia generale

Sporcizia, polvere, e peli di animali possono bloccare l'entrata dell'aria ed accumularsi sulla cinghia per la camminata. Mensilmente: pulire con un aspiratore sotto il tapis roulant per evitare l'accumulo di polvere.

PRIMA DI FARE QUESTO, BISOGNA STACCARE IL CAVO DI ALIMENTAZIONE..

Polvere sulla cinghia

Questo succede durante le normali fasi preliminari o fino a quando la cinghia non si sarà stabilizzata. Rimuovere l'eccesso di polvere con un panno umido ridurrà al minimo la formazione di polvere.

Cinghia e Pedana per la corsa

Il tapis roulant utilizza un letto a basso attrito molto efficiente. Le prestazioni sono migliori se la pedana viene mantenuta pulita e priva di polvere e sporcizia. La sporcizia e le particelle di polvere tra la pedana e il tappeto scorrevole danneggiano la superficie della pedana, compromettendo le prestazioni e la durata del prodotto.

Come pulire la pedana

Usare un panno morbido e asciutto per pulire il bordo della pedana e l'area tra il bordo del tappeto di scorrimento e il telaio. Cercare di arrivare anche sotto i bordi del tappeto di scorrimento, per rimuovere l'accumulo di sporco anche sui bordi.

Come pulire la superficie del tappeto di scorrimento

In primo luogo, usare una spazzola di nylon per rimuovere le particelle dalla superficie del tappeto di scorrimento. Si può usare un panno umido strizzato (senza detergenti o abrasivi) per pulire delicatamente la parte superiore testurizzata del tappeto. Lasciare asciugare completamente il tappeto prima di usarlo.

!! NOTA

- Se il tappeto è troppo sporco per essere pulito solo con l'acqua, si può usare un sapone delicato, ma mai un solvente lubrificante.
- Evitare che non finisca mai della soluzione fra la pedana e il tappeto di scorrimento.

Questo dovrebbe essere fatto regolarmente per prolungare la vita del tappeto di scorrimento e della pedana.

Lubrificazione (fig. F-6)

!! NOTA

- La pedana del tapis roulant viene pre-lubrificata prima di essere montata sul tapis roulant durante la produzione dell'attrezzo. Pertanto non è necessario lubrificare la pedana al primo utilizzo.

È necessario controllare regolarmente che la pedana sia lubrificata. Per questo motivo il tapis roulant presenta una funzione promemoria che si attiva ogni 300 km. La "FINESTRA TEMPO" visualizza "OLIO" e come promemoria emette un segnale acustico ogni 10 secondi. Seguire la procedura di controllo in basso; eliminare il messaggio "OLIO" e il segnale di avviso acustico tenendo premuto il pulsante "STOP" per almeno 3 secondi durante questo segnale di avviso.

⚠ AVVERTIMENTO

- Prima della lubrificazione, togliere la spina elettrica dalla presa di corrente.

⚠ ATTENZIONE

- Si consiglia di controllare la lubrificazione della cinghia di scorrimento almeno una volta al mese, in quanto più fattori del tempo possono essere efficaci per le condizioni del lubrificante.
- Lubrificare il tapis roulant solo se necessario. Se applicate troppo lubrificante, il tapis roulant slitterà facilmente a causa di una mancanza di frizione.

- Stare ben fermi sul tapis roulant.
- Afferrare il manubrio anteriore e spingere il tapis roulant con i piedi di modo che scivoli avanti e indietro. Il tapis roulant deve muoversi senza problemi e in modo uniforme senza fare rumore.
- Se il tapis roulant non si muove senza problemi e in modo uniforme o se non si muove per niente, toccare la parte inferiore del tapis roulant con le punte delle dita per verificare la lubrificazione:
 - Se sentite la lubrificazione o se le punte delle vostre dita sono lucide, significa che il tapis roulant è sufficientemente lubrificato.
 - Se non sentite la lubrificazione o se le punte delle vostre dita sono impolverate o ruvide, applicare del lubrificante (±10 ml.) nella parte centrale del tappeto sotto il tapis roulant e far funzionare l'apparecchio a 5km/h per almeno 5 minuti.
 - Dopo la lubrificazione, non chiudere l'attrezzatura prima di aver fatto un allenamento per 2 minuti a una velocità di almeno 5 km/h. Questo consentirà al lubrificante di venire completamente assorbito dalla pedana e distribuirsi in modo uniforme.

!! NOTA

- Se 5 km/h è una velocità troppo elevata per le vostre possibilità, camminate pure alla velocità che preferite, ma aumentate la durata ad almeno 5 minuti.



Cliccare per vedere il nostro video di supporto su YouTube
<https://youtu.be/ceaOYnofY5k>

Registrazioni della cinghia

Le prestazioni del vostro tapis roulant dipendono dal telaio che deve muoversi su una superficie ragionevolmente piana. Se il telaio non è in piano, il rullo anteriore e posteriore non possono andare paralleli, e potrebbe servire una registrazione continua della cinghia.

Il tapis roulant è progettato per tenere la cinghia di camminamento ragionevolmente centrata durante l'uso. E' normale che alcune cinghie si spostino su un fianco se la cinghia gira senza nessuno sopra. Dopo alcuni minuti di utilizzo, la cinghia di camminamento dovrebbe iniziare a centrarsi da sola. Se, durante l'uso, la cinghia continua a spostarsi su un lato, è necessario effettuare delle registrazioni.

ECCEZIONE:

Durante la riabilitazione dove l'utente utilizza una gamba più dell'altra, potrebbe succedere che la cinghia di camminamento si sposti su un lato. In questi casi non dovrete regolarla a meno che la cinghia di camminamento non si accentri.

Regolazione della tensione della cinghia.

La registrazione deve essere fatta dal rullo posteriore. I bulloni di regolazione si trovano alla fine delle guide dei passi nei coperchi terminali, come annotato nello schema qui sotto.

- Serrare i bulloni del rullo posteriore (in senso orario) solo quanto basta per evitare lo slittamento sul rullo anteriore. Girare entrambi i bulloni di registrazione della tensione della cinghia di camminamento con incrementi di ¼ di giro ognuno e verificare che vi sia la tensione corretta camminando sulla cinghia a bassa velocità, verificando che la cinghia non slitti. Continuare a tirare i bulloni fino a quando la cinghia non slitterà più.
- Se sentite che la cinghia è sufficientemente tesa, ma continua a slittare, il problema potrebbe essere una cinghia di trasmissione del motore lenta sotto il coperchio anteriore.
- Non serrare troppo
Un sovrasserraggio danneggerà la cinghia e causerà un guasto prematuro del cuscinetto.



Cliccare per vedere il nostro video di supporto su YouTube
https://youtu.be/pp4_4bL1MXo

Centraggio della pedana (fig. F-5)

Il centraggio della pedana è necessario quando questa non scorre al centro della superficie di corsa. Questo si nota facilmente quando lo spazio tra la piattaforma laterale e la pedana è decisamente maggiore su un lato rispetto all'altro.

Questo può essere causato da:

CAUSA 1

Si sta usando una gamba più potente in fase di spinta durante l'allenamento. Questo fa sì che la pedana venga spinta di lato, ma si correggerà automaticamente quando si lascerà girare la pedana senza alcun carico per alcuni minuti.

CAUSA 2

Il tapis roulant non è livellato orizzontalmente, quindi la gravità tira lentamente la pedana verso l'estremità più bassa del tapis roulant. Questo va corretto livellando correttamente il tapis roulant, poiché non può essere risolto con nessun'altra regolazione.

CAUSA 3

La pedana non è centrata correttamente tra il tamburo a rulli anteriore e quello posteriore. Questo deve essere corretto regolando l'allineamento della pedana come qui sotto.

Per regolare l'allineamento della pedana, utilizzare la chiave a brugola fornita con il tapis roulant.

- Impostare il proprio tapis roulant a una velocità di ± 5 km/h, senza correrci sopra.
- Se la pedana scorre sul lato destro.
Ruotare in senso antiorario per 1/4 di giro il bullone di regolazione del rullo posteriore sinistro, situato all'estremità posteriore in un incavo nel coperchio del rullo posteriore.
- Se la pedana scorre sul lato sinistro.
Ruotare in senso antiorario per 1/4 di giro il bullone di regolazione del rullo posteriore destro, situato all'estremità posteriore in un incavo nel coperchio del rullo posteriore.
- Attendere ± 2 minuti per dare alla pedana in movimento il tempo di rispondere alla regolazione prima di ripetere eventualmente le fasi di regolazione per ottenere il risultato desiderato.

!! NOTA

- Bisogna considerare, che un piccolo aggiustamento può fare una grande differenza, quindi effettuare degli aggiustamenti graduali.



Cliccare per vedere il nostro video di supporto su YouTube
<https://youtu.be/qx5AvTv00J4>

La cinghia potrebbe richiedere una registrazione dell'orientamento a seconda dell'uso e dalle caratteristiche di camminamento/corsa. Alcuni utenti influenzeranno l'orientamento in modo differente. Prevedete di fare le regolazioni richieste per centrare la cinghia. Le regolazioni diventeranno meno di una manutenzione se la cinghia è usata. Un orientamento corretto della cinghia è responsabilità del proprietario comune a tutti i tapis roulant.

!! NOTA

- I danni alla cinghia di camminamento causati da un orientamento/ registrazione di tensione non corretti non sono coperti dalla garanzia.

Disturbi durante l'uso

Nonostante un continuo controllo della qualità, l'attrezzatura potrebbe talvolta presentare difetti e malfunzionamenti, causati da qualche singolo componente. Nella maggior parte dei casi, non c'è bisogno di mettersi a far riparare tutta l'attrezzatura, ma generalmente basta sostituire il pezzo o la parte difettosa.

Se l'attrezzo non funziona bene durante l'uso o se si ha bisogno dei pezzi di ricambio, contatta il tuo rivenditore Tunturi indicando che cosa ti tratta, le condizioni in cui la usi, la data di acquisto, il modello e il numero di serie del tuo attrezzo. Si raccomanda di utilizzare sempre pezzi di ricambio originali.

Se c'è bisogno di pezzi di ricambio, è necessario sempre indicare il modello, il numero di serie della macchina e il codice del pezzo di ricambio necessario. L'elenco dei pezzi di ricambio si trova sul retro di questo manuale. Utilizzare solo i pezzi di ricambio indicati nell'elenco.

Codici di errore

Se il display mostra un codice di errore (contrassegnato con "E" + numero), riavviare l'apparecchio e controllare se il display continua a riportare il codice di errore. Se il display continua a riportare il codice di errore, contattare immediatamente il rivenditore.

Oil

OIL non è un codice di errore, vedi "Librificazione"

E5**Indica un guasto di alimentazione.**

Quando si riavvia il tapis roulant T90 è importante attendere almeno 30 secondi. Il tapis roulant deve rimanere 30 secondi in modalità di spegnimento prima di essere riavviato. Se si riavvia troppo velocemente, verrà visualizzato nuovamente l'errore E5.

Questo perché il controller del motore AC ha bisogno di più tempo per spegnersi completamente, e rimane attivo dopo che la console è in modalità di spegnimento per almeno 15 secondi.

Risolvere il problema spegnendo il tapis roulant girando l'interruttore di alimentazione in modalità di spegnimento. Attendere 30 secondi e riportare nuovamente l'interruttore di alimentazione su ON. Il codice di errore E5 non dovrebbe comparire più.

Se il codice di errore viene nuovamente visualizzato, richiedere assistenza al proprio rivenditore.

E7

La console mostrerà il codice E7 quando la chiave di sicurezza non è in posizione durante l'avvio.

E7 non è un codice di errore, vedi "Chiave di sicurezza"

Trasporto e stoccaggio**⚠ ATTENZIONE**

- Prima di qualsiasi intervento di pulizia o manutenzione, scollegare la spina di alimentazione dalla presa a muro.
- Per trasportare e spostare l'apparecchio sono necessarie almeno due persone.
- Verificare che non siano presenti persone o oggetti sotto l'apparecchio.
- Ripiegando l'apparecchio, porre attenzione che si blocchi in posizione con uno scatto per evitare che ricada giù.

⚠ AVVISO

- Prima di piegare l'apparecchio, verificare che l'inclinazione sia 0%. Se l'inclinazione non è 0%, ripiegando l'apparecchio si può danneggiare il meccanismo.
- Spostare l'apparecchio come illustrato (fig. E3). Spostare l'apparecchio e abbassarlo con cura. Collocare l'apparecchio su una base protettiva per evitare danni alla superficie del pavimento. Spostare l'apparecchiatura con attenzione sulle superfici irregolari. Non spostare l'apparecchio al piano superiore utilizzando le ruote ma sostenerlo per le impugnature.
- Riporre l'apparecchio in posizione verticale (fig. E2). Riporre l'apparecchio in un luogo asciutto con la minore variazione di temperatura possibile.

Garanzia**Garanzia dell'attrezzo sportivo Tunturi****Condizioni di garanzia**

Il consumatore beneficia dei diritti legali applicabili previsti dalla legislazione nazionale in materia di commercio di beni di consumo. La garanzia non limita tali diritti. La Garanzia dell'acquirente è valida solo se l'articolo viene utilizzato in un ambiente approvato da Tunturi New Fitness BV per quel determinato attrezzo. Le istruzioni relative all'ambiente e di manutenzione specifiche per il prodotto sono riportate nel "manuale utente" del prodotto. Il "manuale utente" può essere scaricato dal nostro sito web. <http://manuals.tunturi.com>

Condizioni per la garanzia

La garanzia entra in vigore dalla data dell'acquisto dell'attrezzo. Le condizioni per la garanzia possono variare in funzione del paese. Rivolgersi al rivenditore di zona per maggiori informazioni sulle condizioni per la garanzia.

Copertura della garanzia

L'azienda Tunturi Ltd ed i suoi rappresentanti non rispondono per nessun motivo dei danni indiretti causati all'acquirente dall'attrezzo. Per danni indiretti s'intendono quelli relativi al mancato sfruttamento dell'attrezzo, mancato guadagno o altri danni di natura economica.

Limiti di garanzia

La garanzia copre i difetti di materiale e fabbrica dell'attrezzo che si manifestano subito dopo l'acquisto. La garanzia copre solo i difetti che si manifestano durante l'uso normale e conforme alle istruzioni del manuale di installazione, manutenzione ed uso fornito da Tunturi. L'azienda Tunturi Ltd ed i suoi rivenditori non rispondono dei danni causati da eventi al di fuori del loro controllo. La garanzia riguarda solo il proprietario originario dell'attrezzo ed è in vigore solo in quei paesi in cui Tunturi Ltd dispone di un proprio rappresentante autorizzato.

La garanzia non copre i difetti di quegli attrezzi o componenti che sono stati modificati senza l'espressa autorizzazione del fabbricante Tunturi Ltd. La garanzia non copre i difetti causati dalla normale usura, da un uso in condizioni non previste, dalla corrosione, dalla movimentazione e dal trasporto.

La garanzia non copre rumori o suoni emessi durante l'uso a meno che non impediscano l'uso dell'attrezzo e che non siano causati da un guasto all'attrezzo stesso.

La garanzia non comprende nemmeno i normali interventi di servizio dell'attrezzo, come per esempio la pulizia, lubrificazione, controllo periodico dei componenti né le piccole installazioni che può effettuare il cliente stesso e che non richiedono lo smontaggio/montaggio dell'attrezzo. Questi interventi sono, per esempio, la sostituzione del pannello, dei pedali o di altri componenti analoghi. La garanzia non copre gli interventi di riparazione previsti, se non vengono eseguiti da un rappresentante autorizzato Tunturi. Se sbagliate a seguire le istruzioni del manuale d'uso, decade subito la garanzia sul prodotto.

Dati tecnici

Parametro	Unità di misura	Valore
Tensione di alimentazione	Vca	210~240
Frequenza di alimentazione	HZ	50~60
Velocità	Km/H	0.8~24.0
Inclinazione	Step	0~15
Lunghezza / (ripiegato)	Cm	192.4 / (137.0)
Lunghezza / (ripiegato)	Inch	75.7 / (53.9)
Larghezza	Cm	92.1
Larghezza	Inch	36.3
Altezza / (ripiegato)	Cm	149.1 / (155.0)
Altezza / (ripiegato)	Inch	58.7 / (61.0)
Peso	Kg	117.0
Peso	Lbs	257.9
Peso massimo utente	Kb	150
Peso massimo utente	Lbs	330
Misurazione della frequenza cardiaca disponibile tramite:	Contatto impugnatura	Si
	5.0 Khz	No
	5,3 Khz.	No
	Bluetooth (BLE)	Si
	ANT+	No

!! NOTA

- Per conoscere le dimensioni del prodotto e le dimensioni funzionali si prega di guardare l'illustrazione J.

Dichiarazione del fabbricante

Tunturi New Fitness BV dichiara che il Signature T90 Tapis roulant è conforme alle seguenti norme e direttive:

- Direttiva RoHS (2011/65/EU)
- Direttiva Macchine (2006/42/EC)

Con la presente, Tunturi New Fitness BV dichiara che il Rullo per Signature T90 Tapis roulant di tipo apparecchiatura radio è conforme alla Direttiva 2014/53/EU.

La dichiarazione di conformità, comprensiva di tutte le norme e direttive, può essere scaricata dal nostro sito web:
<https://doc.tunturi.com>

Tunturi New Fitness BV
Purmerweg 1
1311 XE Almere
Paesi Bassi

Clausola di esonero della responsabilità

© 2025 Tunturi New Fitness BV

Tutti i diritti riservati.

- Il prodotto e il manuale sono soggetti a modifiche.
- Le specifiche tecniche possono essere modificate senza preavviso.
- Vedere il nostro sito Web per la versione del manuale più recente.

Español

Este manual español es una traducción del texto inglés. No se pueden derivar derechos de esta traducción. El texto original en inglés prevalecerá.

Índice

¡Bienvenido	77
Advertencias de seguridad.....	77
Seguridad eléctrica	78
Instrucciones de montaje.....	78
Descripción de la ilustración A.....	78
Descripción de la ilustración B.....	78
Descripción de la ilustración C.....	78
Descripción de la ilustración D.....	78
Accesorios (fig. H)	78
Información adicional de montaje.....	79
Información ambiental adicional.....	79
Sesiones de ejercicio	79
Ejercicio Instrucciones.....	79
Del ritmo cardíaco.....	79
Uso	80
Ajuste de las patas de apoyo.....	81
Consola (fig. E-1)	81
Botones.....	81
Explicación de los elementos de la pantalla.....	82
Explicación de la señal acústica de la pantalla.....	82
Función de USB.....	82
Programas	82
Inicio rápido	82
Modo de cuenta atrás objetivo (P0).....	83
Fin del entrenamiento.....	83
Programas preestablecidos (P1~P36)	83
Programas del usuario (U01~U03)	83
Grasa corporal.....	83
Programa HRC.....	84
Función ERP	84
Ajuste métrico / imperial.....	84
Bluetooth & APP	84
Limpieza y mantenimiento.....	85
Limpieza general.....	85
Cinta y cubierta de correr:	85
Lubricación (fig. F-6).....	85
Ajustes de la cinta	86
Defectos De Funcionamiento	86
Códigos de error.....	86
Oil.....	86
E5	87
E7	87
Transporte y almacenamiento.....	87
Garantía.....	87
Datos técnicos	88
Declaración del fabricante	88
Descargo de responsabilidad	88

¡Bienvenido

¡Bienvenido al mundo de Tunturi Fitness!

Le agradecemos la compra de esta máquina Tunturi. Tunturi ofrece una amplia gama de máquinas de fitness profesionales como bicicletas elípticas, cintas de correr, bicicletas de ejercicio, bancos de fuerza y estaciones múltiples. La máquina Tunturi es adecuada para toda la familia, independientemente del nivel de forma física. Si desea información adicional, visite nuestro sitio web www.tunturi.com

Información y precauciones

Lea atentamente esta guía antes del montaje, uso o mantenimiento de su equipo de ejercicio. Mantenga esta guía en lugar seguro; le brindará hoy y en el futuro la información que necesite para usar y mantener su equipo. Siga siempre atentamente sus instrucciones.

Advertencias de seguridad

⚠ ADVERTENCIA

- Lea las advertencias de seguridad y las instrucciones. De no seguirse las advertencias de seguridad y las instrucciones pueden producirse lesiones personales o daños en la máquina. Conserve las advertencias de seguridad y las instrucciones para su consulta posterior.

⚠ ADVERTENCIA

- Los sistemas de motorización de frecuencia cardíaca pueden ser imprecisos. Un exceso de ejercicio puede provocar lesiones graves o incluso la muerte. Si se siente mareado, deje de hacer ejercicio inmediatamente.
- La máquina es adecuada únicamente para uso doméstico y profesional (p. ej. hospitales, cuarteles de bomberos, hoteles, colegios, etc.).
- Este aparato puede ser utilizado por niños mayores de 8 años y por personas con capacidades físicas, sensoriales o mentales reducidas o con falta de experiencia y conocimientos, si han recibido supervisión o instrucciones sobre el uso del aparato de forma segura y comprenden los peligros que conlleva.
- Se debe supervisar a los niños para garantizar que no jueguen con el aparato.
- Antes de empezar a hacer ejercicio, consulte con un médico para comprobar su estado de salud.
- Si experimenta náuseas, mareos u otros síntomas anormales, deje de hacer ejercicio inmediatamente y consulte con un médico.
- Para evitar dolor y tensión muscular, realice un calentamiento antes de empezar a hacer ejercicio y termine haciendo relajación. Recuerde hacer estiramientos al final de la sesión de ejercicio.
- La máquina es adecuada únicamente para uso en interior. La máquina no es adecuada para un uso en exterior.
- Utilice la máquina únicamente en lugares con una ventilación adecuada. No utilice la máquina en lugares donde haya corriente para no resfriarse.
- Utilice la máquina únicamente en lugares con una temperatura ambiente entre 10 °C y 35 °C. Almacene la máquina únicamente en lugares con una temperatura ambiente entre 5 °C y 45 °C.
- No utilice ni almacene la máquina en espacios húmedos. La humedad del aire no debe ser superior al 80%.
- Utilice la máquina sólo para su uso previsto. No la utilice para otros fines que no sean los descritos en el manual.
- La máquina no debe utilizarse si alguna de las piezas ha sufrido daños o tiene algún defecto. Contacte con su proveedor si alguna de las piezas ha sufrido daños o tiene algún defecto.
- Mantenga las manos, los pies y demás partes del cuerpo alejadas de las piezas móviles.

- Mantenga el pelo alejado de las piezas móviles.
- Lleve ropa y calzado adecuado.
- Mantenga la ropa, las joyas y otros objetos alejados de las piezas móviles.
- Asegúrese de que sólo una persona utilice la máquina cada vez. La máquina no debe ser utilizada por personas cuyo peso supere los 150 kg (330 lbs).
- No abra la máquina sin consultar con su proveedor.

Seguridad eléctrica

(Aplicable sólo para máquinas con limitación eléctrica)

- Antes del uso, compruebe siempre que la tensión de red sea la misma que la tensión indicada en la placa de características de la máquina.
- No utilice un cable alargador.
- Mantenga el cable de red alejado del calor, de aceite y de bordes afilados.
- No altere ni modifique el cable de red o el enchufe de red.
- No utilice la máquina si el cable de red o el enchufe de red ha sufrido daños o tiene algún defecto. Si el cable de red o el enchufe de red ha sufrido daños o tiene algún defecto, contacte con su proveedor.
- Desenrolle siempre el cable de red en su totalidad.
- No pase el cable de red debajo de la máquina. No pase el cable de red debajo de una alfombra. No coloque ningún objeto sobre el cable de red.
- Asegúrese de que el cable de red no cuelgue sobre el borde de una mesa. Asegúrese de que el cable de red no quede atrapado y que no sea posible tropezarse con él.
- No deje la máquina desatendida cuando el enchufe de red esté insertado en la toma de pared.
- No tire del cable de red para sacar el enchufe de la toma de pared.
- Retire el enchufe de red de la toma de pared cuando la máquina no se esté utilizando, antes del montaje o el desmontaje o antes de la limpieza y el mantenimiento.

⚠ ADVERTENCIA

- Si la tensión varía en un diez por cien (10%) o más, esto podrá afectar al rendimiento de la cinta. Esta situación no está cubierta por la garantía. Si sospecha que la tensión es baja, póngase en contacto con su compañía eléctrica o un electricista autorizado para que lo compruebe.

⚠ ADVERTENCIA

- Sitúe el cable de alimentación lejos de cualquier pieza móvil de la cinta, incluido el mecanismo de elevación y las ruedas de transporte.

⚠ ADVERTENCIA

- No use nunca agua o cualquier otro líquido directamente en o cerca del equipo, utilice solo un paño húmedo si se requiere humedad para limpiar la máquina.
- El uso directo de líquido es perjudicial para los componentes del equipo y puede provocar una descarga eléctrica a causa de un cortocircuito.
Esto podría provocar lesiones personales graves o incluso la muerte.
- El aparato solo debe utilizarse con el cable de alimentación que viene incluido con el mismo.

Instrucciones de toma de tierra

Este producto deberá tener una toma de tierra. Si el sistema eléctrico de la cinta se averiara o fallara, la toma de tierra proporciona una ruta de menos resistencia para la corriente eléctrica, reduciendo el riesgo de descarga eléctrica. Este producto está equipado con un cable que tiene un enchufe de toma de tierra de equipo. El enchufe se deberá

enchufar en una toma adecuada que esté instalada correctamente y esté conectada a tierra conforme a todos los códigos y disposiciones locales.

⚠ ADVERTENCIA

- Una conexión inadecuada del conductor de toma de tierra del equipo podrá provocar un riesgo de descarga eléctrica. Compruebe con un electricista cualificado o persona de mantenimiento si tiene dudas sobre si el producto está conectado a tierra correctamente. No modifique el enchufe proporcionado con el producto si no encaja en la toma; encargue a un electricista cualificado que le instale una toma adecuada.

Instrucciones de montaje

Descripción de la ilustración A

La ilustración muestra cuál debe ser el aspecto de la máquina una vez completado el montaje.

Puede utilizar esta ilustración como referencia durante el montaje, pero siga siempre los pasos de montaje en el orden correcto como se muestra en las ilustraciones.

Descripción de la ilustración B

La ilustración muestra los componentes y las piezas que debe encontrar al desembalar el producto.

Descripción de la ilustración C

La ilustración muestra el juego de tornillería que se suministra con el producto.

El juego de tornillería contiene pernos, arandelas, tornillos, tuercas, etc. y las herramientas necesarias para montar correctamente la máquina.

Descripción de la ilustración D

Las ilustraciones muestran cómo montar mejor la máquina en el orden correcto.

⚠ ADVERTENCIA

- Monte la máquina en el orden indicado.
- Al menos dos personas deben transportar y mover la máquina.

⚠ PRECAUCIÓN

- Coloque la máquina sobre una superficie firme y nivelada.
- Coloque la máquina sobre una base protectora para evitar daños en la superficie del suelo.
- Deje unos 100 cm de espacio alrededor de la máquina.
- Consulte las ilustraciones para el correcto montaje de la máquina.

!! NOTA

- Guarde las herramientas suministradas con este producto una vez que haya completado el montaje del producto, para futuros fines de servicio.

Accesorios (fig. H)

!! NOTA

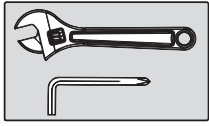
- La ilustración muestra cómo queda el aparato con las barras de sujeción adecuadas extendidas.
- Las barras de sujeción adicionales se pueden adquirir como accesorio.
- N° de artículo: 22TRNRH000

Póngase en contacto con su distribuidor para más información.

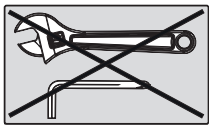
Información adicional de montaje

Apriete de tuercas y tornillos

Para evitar que las piezas montadas del bastidor no queden correctamente alineadas, es aconsejable completar los primeros pasos siguientes antes de apretar completamente las tuercas y los tornillos. De este modo, se mantiene la posibilidad de cambiar de posición las piezas montadas previamente y realizar el montaje general con mayor fluidez. Por lo tanto, es aconsejable seguir las siguientes instrucciones.



Apriete firmemente todos los tornillos y las tuercas cuando se hayan ensamblado todos los componentes correspondientes al paso actual y los anteriores.



No apriete todos los tornillos y las tuercas en este paso. Es suficiente apretar a mano.

Información ambiental adicional

Eliminación de embalajes

Las pautas gubernamentales exigen reducir la cantidad de residuos que se depositan en los basureros. Por este motivo, le rogamos que deseche los embalajes de manera responsable en centros públicos de reciclaje.

Eliminación al final de la vida útil

Desde Tunturi esperamos que disfrute de su equipo de entrenamiento durante muchos años. No obstante, llegará un momento en que éste llegue al final de su vida útil. Conforme a la Directiva WEEE (relativa a la gestión de residuos procedentes de equipos eléctricos y electrónicos) le corresponde a usted la responsabilidad de desechar adecuadamente su equipo de entrenamiento en un centro público autorizado de recogida.

Sesiones de ejercicio

La sesión de ejercicio debe ser ligera, pero de larga duración. El ejercicio aeróbico se basa en mejorar el consumo de oxígeno máximo del cuerpo, lo que a su vez mejora la resistencia y la forma física. Debe transpirar, pero no debe quedarse sin aliento durante la sesión de ejercicio. Para lograr y mantener un nivel de forma física básico, debe realizar ejercicio al menos tres veces a la semana, 30 minutos cada vez. Aumente el número de sesiones de ejercicio para mejorar su nivel de forma física. Vale la pena combinar el ejercicio regular con una dieta sana. Una persona que se encuentre a dieta debe realizar ejercicio a diario, al principio 30 minutos o menos cada vez, aumentando gradualmente el tiempo de ejercicio diario hasta una hora. Empiece la sesión de ejercicio a velocidad baja y resistencia baja para evitar que el sistema cardiovascular se vea sometido a una tensión excesiva. A medida que mejore el nivel de forma física, pueden aumentarse gradualmente la velocidad y la resistencia. La eficiencia de su ejercicio puede medirse supervisando su frecuencia cardíaca y sus pulsaciones.

Ejercicio Instrucciones

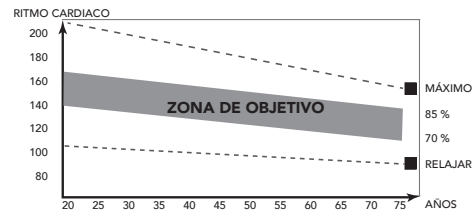
El uso de su entrenador le aportará muchas ventajas, mejorará su tono físico, tonificará los músculos y, combinado con una dieta con un consumo controlado de calorías, le ayudará a perder peso.

Fase de calentamiento

Esta fase mejora la circulación y favorece el buen funcionamiento de los músculos. Asimismo, reduce el riesgo de calambres y de lesiones musculares. Es conveniente realizar una serie de ejercicios de estiramiento, como se muestra más abajo. Al estirar se debe mantener la posición durante unos 30 segundos; no fuerce los músculos ni realice movimientos bruscos para estirarlos, si duele, PARE inmediatamente.

Fase de ejercicio

Esta es la fase de esfuerzo. Tras un uso regular, los músculos de las piernas irán ganando flexibilidad. Es importante mantener un ritmo estable durante toda esta fase. El ejercicio debe ser lo suficientemente fuerte como para incrementar el ritmo cardíaco hasta el objetivo que se muestra en el siguiente cuadro.



Esta fase debe tener una duración mínima de 12 minutos, aunque la mayoría de las personas empiezan a los 15-20 minutos.

Fase de enfriamiento

La finalidad de esta fase es permitir que se relaje el sistema cardiovascular y los músculos. Es una repetición del ejercicio de calentamiento, por lo que debe ir reduciendo el ritmo de manera constante durante unos 5 minutos. En este momento debe repetir también los ejercicios de estiramiento, evitando de nuevo forzar los músculos o hacer movimientos bruscos.

A medida que vaya mejorando su forma física, es posible que el entrenamiento tenga que ser más largo e intenso. Es aconsejable entrenarse al menos tres veces a la semana, espaciando de manera uniforme, en la medida de lo posible, los entrenamientos durante la semana.

Tonificación muscular

Si quiere tonificar los músculos mientras trabaja con el aparato, deberá ajustar la resistencia en un nivel bastante alto. Así aumentará la tensión sobre los músculos de las piernas, con lo que es posible que no pueda entrenarse durante todo el tiempo que le gustaría. Si quiere mejorar su condición física, tendrá que modificar también el programa de entrenamiento. El entrenamiento durante las fases de calentamiento y enfriamiento será igual, pero debe aumentar la resistencia hacia el final de la fase de ejercicio para incrementar el esfuerzo del tren inferior. Tendrá que reducir la velocidad para mantener el ritmo cardíaco en la zona objetivo.

Pérdida de peso

El factor determinante en este sentido es el esfuerzo realizado. Cuanto más intenso y prolongado sea el ejercicio físico, más calorías quemará. En realidad, es lo mismo que si se entrenara para mejorar la condición física, lo que cambia es el objetivo.

Del ritmo cardíaco

Medición de las pulsaciones (sensor de pulsaciones de mano)

Las pulsaciones se miden con unos sensores en los manillares cuando el usuario toca ambos sensores al mismo tiempo. ligeramente húmeda y tocar constantemente los sensores de pulsaciones de mano. Si la piel está demasiado seca o demasiado húmeda, la medición de las pulsaciones puede resultar menos precisa.

!! NOTA

- No utilice los sensores de pulsaciones de mano en combinación con una correa en el pecho para la frecuencia cardíaca.
- Si define un límite de frecuencia cardíaca para su sesión de ejercicio, cada vez que éste se supere sonará una alarma.

**Medición de la frecuencia cardíaca
(correa en el pecho para la frecuencia cardíaca)****!! NOTA**

- Una correa de pecho no viene de serie con este entrenador. Cuando te gusta usar una correa de cofre inalámbrica, debes comprarla como accesorio.

La medición más precisa de la frecuencia cardíaca se logra con una correa en el pecho para la frecuencia cardíaca. La frecuencia cardíaca se mide con un receptor de frecuencia cardíaca en combinación con una correa transmisora de la frecuencia cardíaca. Para una medición precisa de la frecuencia cardíaca es necesario que los electrodos de la correa transmisora estén ligeramente húmedos y que toquen constantemente la piel. Si los electrodos están demasiado secos o demasiado húmedos, la medición de la frecuencia cardíaca puede resultar menos precisa.

⚠ ADVERTENCIA

- Si usted tiene un marcapasos, consulte con un médico antes de utilizar una correa en el pecho para la frecuencia cardíaca.

⚠ PRECAUCIÓN

- Si hay varios dispositivos de medición de frecuencia cardíaca en proximidad, asegúrese de que la distancia entre ellos sea de al menos 2 metros.
- Si sólo hay un receptor de frecuencia cardíaca y varios transmisores, asegúrese de que sólo una persona con un transmisor se encuentre en la zona de transmisión.

!! NOTA

- No utilice una correa en el pecho para la frecuencia cardíaca en combinación con sensores de pulsaciones de mano.
- Lleve siempre la correa en el pecho para la frecuencia cardíaca debajo de la ropa, en contacto directo con la piel. No lleve la correa en el pecho para la frecuencia cardíaca por encima de la ropa. Si lleva la correa en el pecho para la frecuencia cardíaca por encima de la ropa, no habrá señal.
- Si define un límite de frecuencia cardíaca para su sesión de ejercicio, cada vez que éste se supere sonará una alarma.
- El transmisor transmite la frecuencia cardíaca a la consola hasta una distancia de 1,5 metro. Si los electrodos no están húmedos, la frecuencia cardíaca no aparece en la pantalla.
- Algunas fibras de la ropa (p. ej. poliéster, poliamida) generan electricidad estática, la cual puede impedir la medición precisa de la frecuencia cardíaca.
- Los teléfonos móviles, las televisiones y otros aparatos eléctricos generan un campo electromagnético que puede impedir la medición precisa de la frecuencia cardíaca.

Frecuencia cardíaca máxima (durante el entrenamiento)

alcanzar una persona de forma segura por la tensión del ejercicio. Se utiliza la siguiente fórmula para calcular la frecuencia cardíaca máxima media: $220 - \text{EDAD}$. La frecuencia cardíaca máxima varía según la persona.

⚠ ADVERTENCIA

- Asegúrese de no superar la frecuencia cardíaca máxima durante la sesión de ejercicio. Si usted se encuentra en un grupo de riesgo, consulte con un médico.

Principiante**50-60% de frecuencia cardíaca máxima**

Adecuada para principiantes, personas que cuidan la línea, convalecientes y personas que no han hecho ejercicio en mucho tiempo. Haga ejercicio al menos tres veces a la semana, 30 minutos cada vez.

Avanzado**60-70% de frecuencia cardíaca máxima**

Adecuada para personas que desean mejorar y mantener la forma física. Haga ejercicio al menos tres veces a la semana, 30 minutos cada vez.

Experto**70-80% de frecuencia cardíaca máxima**

Adecuado para personas con muy buena forma física que están acostumbradas a sesiones de ejercicio de gran resistencia.

Uso**Interruptor de alimentación principal (fig. E-2A)**

La máquina está equipada con un interruptor de alimentación principal para poder a pagarla completamente.

Para poner en marcha la máquina:

- Inserte el enchufe de red en la máquina.
- Inserte el enchufe de red en la toma de pared.
- Sitúe el interruptor de alimentación principal en la posición de encendido (ON).

Para parar la máquina:

- Sitúe el interruptor de alimentación principal en la posición de apagado (OFF).
- Retire el enchufe de red de la toma de pared.
- Retire el enchufe de red de la máquina.

Llave de seguridad (Fig F-4)

El equipo cuenta con una llave de seguridad que se debe insertar correctamente en la consola para poner en marcha el equipo. Si se saca parcialmente la llave de seguridad, se activará el modo de emergencia y el equipo se detendrá inmediatamente.

- Introduzca la llave de seguridad en la ranura de la consola apretándola hacia adentro.
- Asegúrese de que la pinza de la llave de seguridad esté bien sujeta a la ropa que lleva.
Asegúrese de que la pinza sujeta a la ropa esté lo suficientemente firme para que pueda sacar la llave de seguridad cuando sea necesario.

!! ATENCIÓN!

- La llave de seguridad no se puede quitar de la unidad, ya que es una estructura fija.

!! NOTA

- La consola mostrará el código E7 cuando la llave de seguridad no esté en posición durante el inicio.

Disyuntor (Fig. E-2B)

La máquina está equipada con un disyuntor que interrumpe el circuito cuando la carga eléctrica está por encima de la capacidad máxima. Cuando esto ocurra, debe pulsarse el disyuntor.

⚠ ADVERTENCIA

- Antes de pulsar el disyuntor, retire el enchufe de red de la máquina.

Si la máquina se apaga, haga lo siguiente para reiniciarla:

- Retire el enchufe de red de la máquina.
- Pulse el disyuntor para reiniciar la máquina.
- Inserte el enchufe de red en la máquina.

!! NOTA

- Algunos disyuntores usados en las casas no son idóneos para elevadas corrientes de irrupción que pueden producirse cuando se enciende por primera vez una cinta de correr o incluso durante el uso normal. Si la cinta está disparando el disyuntor (incluso aunque sea de la clase de corriente correcta y la cinta sea el único aparato del circuito), pero el disyuntor de la cinta en sí no se dispara, tendrá que sustituir el disyuntor por uno de clase de irrupción elevada. No es un defecto cubierto por la garantía. Es una situación que nosotros, como fabricantes, no podemos controlar.

Desplegado y plegado de la máquina (fig. F1-F2)

La máquina puede desplegarse para su uso (fig. F1) y plegarse para el transporte y el almacenamiento (fig. F2).

Consulte las ilustraciones para conocer la forma correcta de desplegar y plegar la máquina.

⚠ ADVERTENCIA

- Asegúrese que la elevación de la cinta de correr esté al 0% antes de plegarla. Si la elevación no está al 0%, plegarla podría dañar el mecanismo.

Ajuste de las patas de apoyo

El equipo está equipado con patas de apoyo ajustables.

Si el equipo parece estar inestable, poco firme o no está bien nivelado, estas patas de apoyo se podrán ajustar para realizar las correcciones necesarias.

- Gire las patas de apoyo hacia adentro o hacia afuera según sea necesario para colocar el equipo en una posición estable y lo más nivelada posible.
- Apriete las contratuercas* para bloquear las patas de apoyo.

💡 CONSEJO RÁPIDO

- Es más fácil hacer esto con dos personas, de modo que una persona incline el equipo mientras la otra hace el ajuste necesario.



Haga clic para ver nuestro video de ayuda en YouTube
https://youtu.be/E_7agKqaUlc

!! ATENCIÓN!

- El equipo es más estable cuando está lo más cerca posible del suelo. Por lo tanto, comience a nivelar el equipo girando todas las patas de apoyo completamente hacia adentro, antes de girar las patas necesarias para estabilizar y nivelar el equipo.

Consola (fig. E-1)



⚠ PRECAUCIÓN

- Mantenga la consola alejada de la luz solar directa.
- Seque la superficie de la consola cuando esté cubierta de gotas de sudor.
- No se apoye en la consola.
- Toque la pantalla únicamente con la punta del dedo. Asegúrese de no tocar la pantalla con las uñas ni objetos afilados.

!! NOTA

- La consola pasa al modo de espera activa cuando la máquina no se usa durante 4 minutos.

Botones

Stop/ Reset

- Pulse una vez para parar el entrenamiento/ cinta de correr suavemente.
- Pulse dos veces para parar el entrenamiento/ cinta de correr más deprisa.
- La consola se reinicia si se mantiene pulsado durante 2 segundos en "modo de parada"

Start/ Pause

- Inicia el entrenamiento seleccionado o reinicia el entrenamiento si está en modo pausa.
- Hace una pausa en un entrenamiento activo.

Prog

- Pulse para ir por los programas posibles.
(P0/ P1~P36/ U01~U03/ HRC1~HRC3/ FAT)

Mode

- Muévase entre los parámetros fijados como objetivo en el modo de programación.
- Restablezca el objetivo de tiempo cuando ajuste la meta de tiempo para programas "P1~P36".
- Pulse el botón para bloquear las pantallas de LED de visualización múltiple cuando se encuentra en modo de ejercicio.
- Vuelva a pulsarlo para desbloquear y activar el modo de escaneo de nuevo.

Speed +

- Aumenta la velocidad (0.8 ~ 24.0 km/h).
- Cada pulsación aumenta la velocidad 0.1 km/h.
- Si se mantiene pulsado durante dos segundos la velocidad aumenta más rápidamente.
- Desplácese por los programas y cambie los valores en modo de programación.

Speed -

- Reduce la velocidad (0.8 ~ 24.0 km/h).
- Cada pulsación reduce la velocidad 0.1 km/h.
- Si se mantiene pulsado durante dos segundos la velocidad disminuye más rápidamente.
- Desplácese por los programas y cambie los valores en modo de programación.

Teclas de acceso rápido de velocidad:

Las teclas de acceso rápido de velocidad son 6, 9, 12.
Por ejemplo, la velocidad cambia de cualquier velocidad a 9 km/h pulsando la tecla de acceso rápido de velocidad 9.

Teclas de acceso rápido de velocidad del manillar:

- + La misma que Speed +.
- - La misma que Speed -.

Incline +

- Aumenta la inclinación (0 ~ 15 +1).
- Desplácese por los programas y cambie los valores en modo de programación.

Incline -

- Reduce la inclinación (0 ~ 15 -1).
- Desplácese por los programas y cambie los valores en modo de programación.

Teclas de acceso rápido de inclinación

Las teclas de acceso rápido de inclinación se configuran como 0, 5, 10.
Por ejemplo, el nivel de inclinación cambia de cualquier nivel a 5 pulsando la tecla de acceso rápido de inclinación 5.

Teclas de acceso rápido de inclinación del manillar:

- + : La misma que Incline +.
- - : La misma que Incline -.

Explicación de los elementos de la pantalla**Speed (Velocidad)**

- Muestra la velocidad real de la cinta en modo de entrenamiento.
- Muestra la velocidad objetivo en modo de programación.
- Muestra la selección de programa cuando se encuentra en modo de programa.

Incline (Inclinación)

- Muestra la inclinación real de la cinta en modo de entrenamiento.
- Muestra la inclinación objetivo en modo de programación.

Distance (Distancia)

- Muestra la distancia recorrida en modo de entrenamiento.
- Muestra la distancia que queda cuando el entrenamiento está en modo cuenta atrás.
- Muestra la distancia objetivo cuando se encuentra en modo de programación.

Time (Tiempo)

- Muestra el tiempo de entrenamiento en modo de entrenamiento.
- Muestra el tiempo que queda cuando el entrenamiento está en modo cuenta atrás.
- Muestra el tiempo objetivo cuando se encuentra en modo de programación.

Steps (Pasos)

La consola muestra el número de pasos que ha dado durante el entrenamiento.

!! NOTA

- Para que la función de podómetro incorporado sea estable, requiere un peso del usuario de al menos 40 kg y una velocidad mínima establecida de 3 Km/h.
- Si el peso corporal y/o la velocidad fijada son inferiores, la función puede ser menos estable.

Heart (Corazón)

- Muestra la frecuencia cardíaca en modo de entrenamiento, o "P" cuando no se mide la frecuencia.

Calories (Calorías)

- Muestra las kilocalorías consumidas en modo de entrenamiento.
- Muestra las kilocalorías que quedan cuando el entrenamiento está en modo cuenta atrás.
- Muestra las kilocalorías objetivo cuando se encuentra en modo de programación.

!! NOTA

- Estos datos sirven como guía para comparar sesiones distintas de ejercicio que no se pueden utilizar en tratamientos médicos.

Scan

- La pantalla actualiza el "Time/ Step", "Heart/ Incline" & "Calories/ Distance" cada 5 segundos.
- Para congelar su pantalla preferida, pulse Mode, vuelva a pulsarlo para descongelarla y activar el modo de escaneo de nuevo.

Explicación de la señal acústica de la pantalla

La consola está diseñada para que avise al usuario mediante una señal acústica.

De esta forma se advierte al usuario de un cambio para un entrenamiento más seguro.

La consola avisa al usuario:

- Cuando se alcanza un objetivo preestablecido.
- Para anunciar un cambio en la velocidad o la inclinación a causa del programa seleccionado.

Función de USB

El usuario puede conectar su mecanismo para cargarlo durante el entrenamiento.

Spannung/ Strom: 5VDC/ 1.0 Amp

Programas**Inicio rápido**

- Pulse el botón "Start/Pause" para empezar la sesión sin ningún ajuste predeterminado.
- La cinta de correr se pondrá en funcionamiento a una velocidad mínima de 1,0 km/h y mantendrá el ajuste de inclinación establecido en ese momento.
- Ajuste manualmente Velocidad / Inclinación en cualquier momento para cambiar el entrenamiento y pulse stop/ pause en cualquier momento.

Modo de cuenta atrás objetivo (P0)

La máquina deberá estar en modo de inicio para acceder al modo de cuenta atrás objetivo.

Mantenga pulsado el botón "Stop/ Reset" durante 2 segundos para poner la cinta de correr en modo de inicio.

- Pulse el botón "Mode" para seleccionar el modo de cuenta atrás objetivo:
 - Modo de entrenamiento 1: Objetivo de tiempo. Use las teclas "Speed + & -" para ajustar el valor, confirme presionando el botón de Mode. Predeterminado 30:00 min. Rango 5:00~95:00 ± 1:00.
 - Modo de entrenamiento 2: Objetivo de distancia. Use las teclas "Speed + & -" para ajustar el valor, confirme presionando el botón de Mode. Predeterminado 1,00 km. Rango 1,00~99,00 ± 1,0.
 - Modo de entrenamiento 3: Cuenta atrás de calorías. Use las teclas "Speed + & -" para ajustar el valor. Predeterminado 50. Rango 20~9990 ± 10.
- Pulse el botón "Start/ Pause" para empezar la sesión directamente cuando ajuste el objetivo que desea.

!! NOTA

- Si establece un objetivo, la cinta de correr se parará automáticamente cuando se alcance el objetivo ajustado.
- Solo se puede ajustar un objetivo.

Fin del entrenamiento

- Puede hacer una pausa en su entrenamiento en cualquier momento pulsando una vez el botón "Start/ Pause". En la pantalla aparecerá "PAUS" cuando esté en modo pausa. El tiempo de pausa máx. es 4.30 min.
- Pulse el botón "Start/ Pause" para reiniciar el entrenamiento cuando esté en el modo "PAUSE".
- Pulse una vez el botón "STOP" para detener el entrenamiento.
- Pulse dos veces el botón "STOP" para reiniciar la consola.

Programas preestablecidos (P1~P36)

El equipo cuenta con 36 programas preestablecidos con diferentes perfiles. (Tabla fig. G.)

- Premere i pulsanti "Prog" per selezionare il programma "P1~P36".
- Establezca el tiempo deseado del entrenamiento. Use las teclas "Speed + & -" para ajustar el valor. Predeterminado 30:00 min. Rango 5:00~95:00 ± 1:00.
- Pulse el botón "Start/ Pause" para empezar el entrenamiento.

!! NOTA

- La velocidad y la inclinación se controlan basándose en el programa seleccionado.
- Una señal acústica notificará al usuario que se va a producir un ajuste de la velocidad o inclinación dentro de unos pocos segundos.
- La duración de cada segmento es 1/16 del tiempo de entrenamiento establecido.
- La velocidad y la inclinación se pueden cambiar en cualquier momento, pero solo afectarán al segmento del perfil activo. El programa volverá a seguir el perfil cuando cambie al siguiente segmento del perfil.

Programas del usuario (U01~U03)

El equipo dispone de 3 programas para el usuario.

Cada programa de usuario puede ajustarse según sus requisitos personales. Cada programa de usuario tiene 16 pasos. En cada paso puede establecerse la velocidad y la inclinación. Cada paso dura 1/16 de la cantidad total de tiempo.

- Pulse los botones "Prog" para seleccionar el programa "U-1~U-3".
- Establezca el tiempo deseado del entrenamiento. Use las teclas "Speed/ Incline + y -" para ajustar el valor. Predeterminado 30:00 min. Rango 5:00~95:00 ± 1:00.
- Pulse el botón "Start/ Pause" para empezar el entrenamiento.

Modo de programación de perfil.

- Pulse el botón "Prog" y seleccione U-1/ U-2 o U-3.
- Pulse el botón "Mode" para abrir el modo de programación del programa de usuario seleccionado.
- Se abrirá el menú de programación del perfil, en el que podrá establecer los valores de velocidad e inclinación del primero de los 16 segmentos.
- Los valores se fijan de la siguiente manera:
 - Utilice las teclas "Speed + & -" para ajustar la velocidad deseada.
 - Utilice las teclas "Incline + & -" para ajustar la inclinación deseada.
 - Confirme pulsando el botón "Mode".
- Se abre el modo de programación para el segmento de perfil de programa 2.
- La programación de los 15 segmentos restantes debe realizarse de la misma manera hasta que los 16 segmentos estén configurados.
- Cuando confirme el 16º segmento, la ventana de tiempo parpadeará para establecer el tiempo de entrenamiento deseado.
- Usted establece el tiempo de entrenamiento deseado de la siguiente manera:
 - Utilice las teclas "Speed + & -" para ajustar el tiempo de entrenamiento deseado.
 - Ajuste por defecto: 30:00 min. / Intervalo de ajuste: 5:00~99:00 ± 1:00.
- Pulse el botón "Start/ Pause" para iniciar el programa.

!! NOTA

- El perfil de programa de usuario programado se guardará automáticamente para que lo pueda utilizar la siguiente vez.

Grasa corporal

El programa de grasa corporal está diseñado para indicarle su estado físico, basándose en sus parámetros corporales y su ritmo cardíaco.

- Pulse el botón "Mode" para abrir el modo de programación.
- Pulse el botón "Prog" para seleccionar el programa "8-1", pulse el botón "Mode" para confirmar.
- En la pantalla aparecerá "F1" (SEXO). En la pantalla aparece "1"
 - Pulse los botones "Speed + & -" para seleccionar: 1: Hombre/ 2: Mujer Pulse el botón "Mode" para confirmar.
- En la pantalla aparece "F2" (Edad). En la pantalla aparece "25"
 - Pulse los botones "Speed + & -" para seleccionar: 1~99 Pulse el botón "Mode" para confirmar.
- En la pantalla aparece "F3" (Altura). En la pantalla aparece "170" cm
 - Pulse los botones "Speed + & -" para seleccionar: 100~220 cm Pulse el botón "Mode" para confirmar.
- En la pantalla aparece "F4" (Peso). En la pantalla aparece "70" kg
 - Pulse los botones "Speed + & -" para seleccionar: 20~150 kg Pulse el botón "Mode" para confirmar.

- La pantalla muestra "F5" (Activo).
Coja las almohadillas de medición del ritmo cardíaco de las empuñaduras para activar la medición de GRASA.
El resultado de la prueba aparecerá en la pantalla en unos 5~10 segundos. Véase "Cálculo del resultado".

⚠ PRECAUCIÓN

- Para esta función es necesario sujetar las almohadillas de medición del ritmo cardíaco situadas en las empuñaduras.

Cálculo del resultado:

TIPO DE CUERPO: (Relación de grasa corporal; 4 tipos)

Porcentaje de grasa corporal	0 ~17	Peso bajo
Porcentaje de grasa corporal	18 ~ 24	En su peso
Porcentaje de grasa corporal	25 ~ 28	Sobrepeso
Porcentaje de grasa corporal	29 ~ +	Obesidad.

- BF = Grasa corporal (en relación de %)
- Aparecerá el código de error "ER" si no se detecta el ritmo cardíaco durante el proceso de medición de BF.
- Pulse el botón "Stop / Reset" para salir del programa de grasa corporal.

Programa HRC

El programa HRC es un programa de control de velocidad basado en el ritmo cardíaco (RC). La velocidad aumentará automáticamente cuando su ritmo cardíaco esté por debajo del objetivo y se reducirá cuando el ritmo esté por encima del objetivo.

- Pulse el botón "Prog" para seleccionar "HRC"
HRC1: Preajuste máximo. El límite de velocidad es de 8 km/h.
HRC2: Preajuste máximo. El límite de velocidad es de 12 km/h.
HRC3: Preajuste máximo. El límite de velocidad es de 16.0 km/h. programa.
- Ajuste la edad. En la pantalla aparece "25"
Pulse los botones "Arriba/ Abajo" para seleccionar: 1~99
Pulse el botón "Mode" para confirmar.
- Se mostrará el ritmo cardíaco objetivo, basado en la edad que ha indicado. Ritmo cardíaco objetivo = $(220 - \text{edad}) \times 0,6$.
Pulse los botones "Arriba/ Abajo" para cambiar el valor objetivo 60~200. Pulse el botón "Mode" para confirmar.
- Ajuste el tiempo del ejercicio. La pantalla muestra "30:00"
Pulse los botones "Arriba/ Abajo" para seleccionar: 5:00~99:00.
- Pulse el botón "Start/ Pause" para iniciar el programa.

Función operativa HRC:

- El programa HRC se inicia con un tiempo de calentamiento de un minuto (la velocidad no se ajustará automáticamente).
- La velocidad inicial es 1,0 km/h, esta se puede ajustar manualmente a una velocidad de calentamiento cómoda.
- La consola comprueba el ritmo cardíaco cada 30 segundos y controla la velocidad de la siguiente manera.

Ritmo cardíaco	parámetro	ajuste velocidad
29+ lpm	Por debajo del objetivo	+ 2,0 km/h.
6~29 lpm	Por debajo del objetivo	+ 1,0 km/h.
0~5 lpm	Por debajo del objetivo	No hay ajuste
0~5 lpm	Por encima del objetivo	No hay ajuste
6~29 lpm	Por encima del objetivo	- 1,0 km/h.
29+ lpm	Por encima del objetivo	- 2,0 km/h.

!! NOTA

- El ajuste de inclinación no se controla en el modo de programa HRC, pero el usuario puede controlarlo en cualquier momento para aumentar o rebajar la intensidad del entrenamiento.
- El usuario puede cambiar la velocidad en todo momento.
- Cuando la velocidad esté por encima del límite de velocidad preestablecido, se autoajustará para preestablecer el ajuste de velocidad automáticamente.
- Si no se detecta el ritmo cardíaco, la cinta de correr detendrá el entrenamiento.

⚠ PRECAUCIÓN

- Para esta función se requiere medir el ritmo cardíaco.

Función ERP

La función ERP puede poner la cinta de correr en modo de suspensión de manera automática si se mantiene inactiva durante 4:30 minutos.

Podrá activar o desactivar esta función de la siguiente manera:

- Si la cinta de correr está en "modo de inicio", mantenga pulsado el botón "Mode" durante 3 segundos para cambiar entre el modo activo e inactivo.
 - Si la pantalla muestra "1111", indicará modo activo.
La máquina pasará a modo de suspensión después de que no se use durante 4:30 minutos.
 - Si la pantalla muestra "2222", indicará modo inactivo.
La máquina no pasará a modo de suspensión después de que no se use durante 4:30 minutos.

⚠ PRECAUCIÓN

- Recomendamos que siempre se ajuste la función ERP a modo activo.

Ajuste métrico / imperial

Cuando la velocidad mostrada no coincide con sus expectativas, la máquina podría configurarse en una configuración incorrecta.

Métrico:	Min./ Max. Velocidad:
	0.8 Km/h/ 24.0 km/h.
Imperial:	Min./ Max. Velocidad:
	0.5 Mls/h/ 15.0 Mls/h.

Cambie las unidades por:

En modo "ON":

Mantenga presionado el botón "Prog" & "Speed -" durante 3 segundos.

La consola muestra el modo S-01:

- 0.6 Cuando se cambia al modo imperial.
- 1.0 Cuando se cambia al modo métrico.
- Mantenga pulsado el botón "Mode" durante dos segundos para cambiar de ajuste.

Presione el botón "Start/ Pause" para confirmar la configuración y volver al modo de usuario nuevamente.



Haga clic para ver nuestro video de ayuda en YouTube
<https://youtu.be/KOxl5obz-RQ>

Bluetooth & APP

- Esta consola puede conectarse con una App de un dispositivo móvil inteligente vía Bluetooth (iOS & Android)
- Establezca la conexión Bluetooth sólo a través del modo de conexión en la aplicación instalada en su teléfono smart.

!! NOTA

- Tunturi solo ofrece la opción de conectar su consola de ejercicios físicos mediante conexión Bluetooth. Por tanto, Tunturi no se hace responsable por posibles daños o funcionamiento incorrecto de productos que no sean de la marca Tunturi.
- Consulta el sitio web para obtener información adicional

Limpieza y mantenimiento**⚠ ADVERTENCIA**

- Su entrenador requiere un mantenimiento mensual, incluso cuando no se utiliza.
 - Antes de la limpieza y el mantenimiento, retire el enchufe de red de la toma de pared.
 - No utilice disolventes para limpiar la máquina.
 - La limpieza y el mantenimiento por parte del usuario no deberán ser realizados por niños sin supervisión.
- No obstruya las aberturas de ventilación. Mantenga las aberturas de ventilación libres de polvo, suciedad y otras obstrucciones.
 - Limpie la máquina con un paño suave y absorbente tras cada uso.
 - Limpie las partes visibles de la máquina con un aspirador que tenga una boquilla de aspiración pequeña.
 - Compruebe periódicamente que todos los tornillos y las tuercas estén apretados.

⚠ PRECAUCIÓN

- Recomendamos utilizar únicamente calzado de interior en la cinta de correr. En caso de no disponer de ellos, le recomendamos que compruebe las suelas de su calzado antes de utilizarlo en la cinta de correr para asegurarse de que están limpias, ya que la cinta no está diseñada para la suciedad del exterior.

Limpieza general

La suciedad, el polvo y el pelo de los animales pueden bloquear las entradas de aire y acumularse en la cinta de correr. Pase la aspiradora mensualmente debajo de la cinta para evitar que se acumule.

DESENCHUFE EL CABLE DE ALIMENTACIÓN ANTES DE HACER ESTAS TAREAS.

Polvo de la cinta

Esto ocurre durante una interrupción normal o hasta que la cinta se estabilice. Si limpia el exceso de polvo con un paño húmedo se minimizará la acumulación de éste.

Cinta y cubierta de correr:

La cinta de correr utiliza una base de baja fricción muy eficiente. El rendimiento se maximiza cuando la plataforma de funcionamiento se mantiene limpia y sin polvo y suciedad. La suciedad y las partículas de polvo entre la plataforma y la banda de rodadura dañarán la superficie de la plataforma, lo que afectará al rendimiento y a la vida útil del producto.

Cómo limpiar la plataforma para correr

Utilice un paño suave y seco para limpiar el borde de la cinta y el área entre el borde de la cinta y el bastidor. Intente llegar también bajo los bordes de la cinta de correr, para eliminar también la suciedad acumulada en los bordes.

Cómo limpiar la superficie de la cinta de correr

En primer lugar, utilice un cepillo de nylon para eliminar las partículas sueltas de la superficie de la cinta de correr. A continuación, utilice un paño húmedo escurrido (sin limpiadores ni abrasivos) para limpiar suavemente la parte superior de la cinta texturizada. Deje que la cinta se seque completamente antes de utilizarla.

¡ATENCIÓN!

- Cuando la cinta esté demasiado sucia para limpiarla solo con agua, puede utilizar un jabón suave, pero nunca un disolvente lubricante.
- Evite que la solución se introduzca en cualquier momento entre la plataforma y la cinta de correr.

Esto debe efectuarse regularmente para prolongar la vida útil de la cinta de correr y la plataforma.

Lubricación (fig. F-6)**!! ¡ATENCIÓN!**

- La cinta de correr se lubrica previamente antes de colocarla en el aparato durante la producción de la unidad. Por lo tanto, no hace falta lubricar la cinta de correr cuando se use por primera vez.

La cinta de correr debe inspeccionarse con regularidad para verificar su correcta lubricación. Para ello cuenta con una función de recordatorio de 300 km. La "VENTANA DE TIEMPO" mostrará "ACEITE" y emitirá una señal acústica cada 10 segundos a modo de recordatorio. Siga el procedimiento de comprobación siguiente y elimine el mensaje "ACEITE" y la señal acústica manteniendo pulsado el botón "PARADA" durante al menos 3 segundos durante esta señal de advertencia.

⚠ ADVERTENCIA

- Antes de la lubricación, retire el enchufe de red de la toma de pared.

⚠ PRECAUCIÓN

- Recomendamos revisar la lubricación de la cinta de correr una vez al mes como mínimo, ya que hay otros factores que pueden afectar al estado de la lubricación, aparte del tiempo.
- Lubrique la banda sólo si es necesario. Si aplica demasiado lubricante, la banda resbalará fácilmente debido a la ausencia de fricción.

- Sitúese sobre la banda.
- Sujete el manillar frontal y empuje la banda con los pies de modo que se deslice hacia atrás y hacia delante. La banda debe moverse suave y regularmente sin hacer ruido.
- Si la banda no se mueve suave y regularmente o no se mueve, toque la parte baja de la banda con las puntas de los dedos para comprobar la lubricación:
 - Si nota el lubricante o sus dedos están brillantes, hay suficiente lubricación en la banda.
 - Si no nota lubricante o sus dedos tienen polvo o están ásperos, aplique lubricante (± 10 ml.) en la mitad de la plataforma bajo la banda y deje que la máquina funcione a 5 km/h durante al menos 5 minutos.
 - Tras la lubricación, no pliegue el equipo antes de haber realizado un entrenamiento de 2 minutos con una velocidad de al menos 5 km/h. Esto hará que la cinta de correr absorba el lubricante por completo y se distribuya de manera uniforme.

!! ¡ATENCIÓN!

- Si 5 km/h es demasiado rápido, camine a la velocidad que desee, pero prolongue la duración hasta al menos 5 minutos.



Haga clic para ver nuestro video de ayuda en YouTube
<https://youtu.be/ceaOYnofY5k>

Ajustes de la cinta

El rendimiento de la cinta depende de que el bastidor esté sobre una superficie suficientemente plana. Si el bastidor no está horizontal, el rodillo delantero y trasero no podrán ir paralelos y habrá que ajustar constantemente la cinta.

La cinta de correr está diseñada para mantener la cinta razonablemente centrada cuando está en uso. Es normal que algunas cintas se desvíen hacia un lado cuando la cinta está funcionando sin nadie encima. Después de unos minutos de uso, la cinta deberá tender a centrarse por sí misma. Si durante el uso la cinta sigue moviéndose hacia un lado, habrá que ajustarla.

EXCEPCIÓN:

Durante una rehabilitación en la que el usuario esté usando una pierna mucho más que la otra, puede ocurrir que la cinta se desvíe a un lado. En esos casos, no deberá ajustarla a no ser que la cinta no se centre por sí misma durante el uso en condiciones normales.

Ajuste de la tensión de la correa

Ajuste de la tensión de la cinta de correr: El ajuste se deberá hacer desde el rodillo trasero. Los tornillos de ajuste se encuentran en el extremo de las barras en las tapas finales, como se indica en el siguiente dibujo.

- Apriete los tornillos del rodillo trasero (a la derecha) solo lo suficiente para que no patine la cinta en el rodillo delantero. Gire los dos tornillos de ajuste de la tensión de la cinta en pasos de 1/4 de vuelta cada uno y examine si la tensión es correcta andando sobre la cinta a baja velocidad, asegurándose de que la cinta no patina. Siga tensando los tornillos hasta que la cinta deje de patinar.
- Si le parece que la cinta está suficientemente tensa, pero sigue patinando, el problema puede ser que esté suelta una correa de transmisión del motor debajo de la cubierta delantera.
- No apriete en exceso: Si se aprieta en exceso se podrá dañar la cinta y provocar un fallo prematuro de los cojinetes.



Haga clic para ver nuestro video de ayuda en YouTube
https://youtu.be/pp4_4bL1MXo

Centrado de la cinta de correr (fig. F-5)

Es necesario centrar la cinta de correr cuando esta no sigue el centro de la superficie de correr. Esto se nota fácilmente cuando el espacio entre la cinta de correr y la banda lateral es significativamente mayor en un lado en comparación con el otro. Esto puede estar causado por (lo siguiente):

CAUSA 1

Utiliza una pierna con más potencia en el empuje durante el entrenamiento. Esto hace que se empuje la cinta hacia un lado, pero se corregirá automáticamente dejando la cinta en marcha sin carga durante unos minutos.

CAUSA 2

La cinta de correr no está nivelada horizontalmente, por lo que la gravedad tira de la cinta de correr lentamente hacia el extremo más bajo de la cinta. Esto debe corregirse nivelando correctamente la cinta de correr, ya que no puede solucionarse con ningún otro ajuste.

CAUSA 3

La cinta de correr no está centrada correctamente entre el tambor de rodillos delantero y trasero. Esto debe corregirse ajustando el seguimiento de la cinta de correr como se describe a continuación.

Para ajustar el seguimiento de la cinta de correr, utilice la llave Allen que se suministra con la cinta.

- Ajustar la cinta de correr a una velocidad de ± 5 km/h sin correr sobre ella.
- Si la cinta de correr se desplaza hacia el lado derecho. Gire el tornillo de ajuste del rodillo trasero izquierdo, situado en el extremo posterior en una toma de la cubierta del rodillo trasero, en sentido contrario a las agujas del reloj 1/4 de vuelta.
- Si la cinta de correr se desplaza hacia el lado izquierdo. Gire el tornillo de ajuste del rodillo trasero derecho, situado en el extremo posterior en una toma de la cubierta del rodillo trasero, en sentido contrario a las agujas del reloj 1/4 de vuelta.
- Espere ± 2 minutos para dar tiempo a la cinta de correr a responder al ajuste antes de repetir los pasos de ajuste (si es necesario para llegar al resultado deseado).

!! ¡ATENCIÓN!

- Recuerde que un pequeño ajuste puede suponer una gran diferencia, así que realice los ajustes con pequeños incrementos cada vez.



Haga clic para ver nuestro video de ayuda en YouTube
<https://youtu.be/qx5AvTv00J4>

La cinta puede que requiera un ajuste periódico de la alineación dependiendo del uso y de las características de andar/correr. Algunos usuarios tendrán un efecto diferente sobre la alineación. Es de esperar que tenga que hacer los ajustes necesarios para centrar la cinta. Según se vaya usando la cinta, cada vez tendrá que realizar menos ajustes. Una alineación correcta de la cinta es una responsabilidad del propietario habitual en todas las cintas de correr.

!! NOTA

- los daños a la cinta de correr derivados de un ajuste incorrecto de la alineación/tensión no están cubiertos por la garantía..

Defectos De Funcionamiento

Pese al continuo control de calidad que realizamos, el equipo puede presentar defectos o malfuncionamientos debidos a fallos en componentes individuales. En la mayoría de los casos no es necesario llevar todo el equipo a reparar, y generalmente es suficiente con reemplazar la parte defectuosa.

Si el equipo no funciona correctamente durante su uso, tome contacto inmediatamente con su proveedor Tunturi. Relate la naturaleza del problema, las condiciones de uso, la fecha de compra, el modelo y el número de serie.

En el reverso de esta guía encontrará la lista de piezas. Utilice sólo piezas de repuesto mencionadas en la lista de piezas de repuesto.

Códigos de error

Si la pantalla muestra un código de error (marcado con "E" + número), reinicie la máquina y compruebe si la pantalla sigue mostrando el código de error. Si la pantalla sigue mostrando el código de error, contacte inmediatamente con su proveedor.

Oil

OIL no es un código de error, ver "Lubricación"

E5**Indica un fallo de alimentación.**

Al reiniciar la cinta T90, es importante esperar al menos 30 segundos. Es preciso que la cinta permanezca apagada durante 30 segundos antes de reiniciarla. Si se vuelve a encender demasiado rápido, volverá a aparecer siempre el error E5.

Esto ocurre porque el controlador del motor CA precisa más tiempo para apagarse por completo y sigue procesando durante al menos 15 segundos, incluso después de que se haya apagado la consola.

Para solucionar el problema, apague la cinta poniendo el interruptor en la posición de apagado (OFF). Espere 30 segundos y vuelva a encender el interruptor. El código de error E5 ya no debería aparecer. Si aun así sigue apareciendo el código de error, contacte con su distribuidor.

E7

La consola mostrará el código E7 cuando la llave de seguridad no esté en posición durante el inicio.

E7 no es un código de error, ver "Llave de seguridad"

Transporte y almacenamiento**⚠ ADVERTENCIA**

- Antes de la limpieza y el mantenimiento, retire el enchufe de red de la toma de pared.
- Al menos dos personas deben transportar y mover la máquina.
- Asegúrese de que no haya otras personas ni objetos debajo de la máquina.
- Al plegar la máquina, asegúrese de que se escucha el bloqueo de la máquina en su posición para evitar que se pueda desplegar.

⚠ PRECAUCIÓN

- Antes de plegar la máquina, asegúrese de que la inclinación sea 0%. Si la inclinación no es de 0%, el mecanismo sufrirá daños durante el plegado.
- Mueva la máquina como se muestra (fig. F3). Mueva la máquina y bájela con cuidado. Coloque la máquina sobre una base protectora para evitar daños en la superficie del suelo. Mueva la máquina con cuidado sobre superficies irregulares. No suba la máquina por las escaleras usando las ruedas; transporte la máquina por los manillares.
- Almacene la máquina en posición vertical (fig. F1). Almacene la máquina en un lugar seco con la menor variación de temperatura posible.

Garantía**Garantía del propietario del equipo Tunturi****Condiciones de la garantía**

El cliente tiene derecho a los beneficios jurídicos aplicables recogidos en la legislación nacional relativa al comercio de bienes de consumo. Esta garantía no restringe dichos beneficios. La garantía del cliente solo será válida si se utiliza el producto en un entorno autorizado por Tunturi New Fitness BV y se mantiene tal como se indica para el equipo concreto. Las instrucciones de mantenimiento y medioambientales aprobadas específicas del producto se indican en el "manual del usuario" del producto. El "manual de usuario" se puede descargar en nuestro sitio web. <http://manuals.tunturi.com>

Términos de la garantía

Los términos de la garantía comenzarán el día de la compra. Los términos de garantía pueden variar por país, así que consulte con su distribuidor local para ver cuáles son los términos de la garantía.

Cobertura de la garantía

Tunturi New Fitness BV o los distribuidores Tunturi no responderán en ninguna circunstancia a causa de esta garantía por los eventuales daños indirectos, secundarios, resultantes o especiales de ningún tipo derivados del uso o la imposibilidad de uso de este equipo.

Restricciones a la garantía

La garantía cubre los fallos debidos a la fabricación y los materiales en un equipo de ejercicio que esté en su ensambladura original. La garantía cubre solamente defectos que se manifiesten durante un uso normal, conforme a las instrucciones dadas en la guía suministrada con el equipo, a condición de que se hayan observado las instrucciones de montaje, mantenimiento y utilización proporcionadas por Tunturi. Tunturi New Fitness BV y los distribuidores Tunturi no pueden responder de fallos ocasionados por circunstancias ajenas a su control. La presente garantía sólo es válida para el comprador original del equipo de ejercicio y tiene vigencia solamente en los países en los que Tunturi New Fitness BV cuenta con un importador autorizado. La garantía no cubre los equipos de ejercicio o sus partes que hayan sido modificados sin el consentimiento previo de Tunturi New Fitness BV. La garantía no cubre fallos derivados del desgaste normal, de un uso indebido, de su uso en condiciones para las que el equipo no ha sido concebido, corrosión o daños sufridos durante la carga o el transporte.

La garantía no cubre los sonidos o ruidos emitidos durante el uso que no impidan de forma sustancial la utilización del equipo y que no estén provocados por un fallo del mismo

La garantía no cubre las actividades de mantenimiento tales como limpieza, lubricación o el ajuste normal de las piezas, ni los procedimientos de instalación que el cliente pueda realizar por sí mismo y que no requieran un desmontaje / montaje especial del equipo de ejercicio. Estos procedimientos son, por ejemplo, el cambio de contadores, pedales o de otras piezas simples similares. No se reembolsarán las reparaciones realizadas durante el periodo de garantía por agentes no autorizados por Tunturi. Si no se siguen adecuadamente las instrucciones dadas en el Manual del Propietario se invalidará la garantía del producto.

Datos técnicos

Parámetro	Unidad de medición	Valor
Tensión de red	VAC	210~240
Frecuencia de red	HZ	50~60
Velocidad	Km/H	0.8~24.0
Inclinación	Step	0~15
Longitud / (plegada)	Cm	192.4 / (137.0)
Longitud / (plegada)	Inch	75.7 / (53.9)
Anchura	Cm	92.1
Anchura	Inch	36.3
Altura / (plegada)	Cm	149.1 / (155.0)
Altura / (plegada)	Inch	58.7 / (61.0)
Peso	Kg	117.0
Peso	Lbs	257.9
Peso máx. del usuario	Kb	150
Peso máx. del usuario	Lbs	330
Medición de la frecuencia auditiva disponible a través de:	Contacto manual	Sí
	5.0 Khz	No
	5,3 KHz.	No
	Bluetooth (BLE)	Sí
	ANT +	No

!! ATENCIÓN!

- Para conocer las dimensiones del producto y las dimensiones funcionales, consulte la ilustración J.

Declaración del fabricante

Tunturi New Fitness BV declara que el Signature T90 Cinta de correr es conforme con las siguientes normas y directivas:

- Directiva RoHS (2011/65/EU)
- Directiva de máquinas (2006/42/EC)

Por la presente, Tunturi New Fitness BV declara que el equipo de radio tipo Entrenador de Signature T90 Cinta de correr cumple con la Directiva 2014/53/EU.

La declaración de conformidad, que incluye todas las normas y directivas, se puede descargar en nuestro sitio web:
<https://doc.tunturi.com>

Tunturi New Fitness BV
Purmerweg 1
1311 XE Almere
Los países bajos

Descargo de responsabilidad

© 2025 Tunturi New Fitness BV
Reservados todos los derechos.

- El producto y el manual están sujetos a cambios.
- Las especificaciones pueden cambiarse sin previo aviso.
- Consulte nuestra página web para descargar la versión del manual de usuario más reciente.

På svenska

Denna handbok är en översättning av den engelska texten. Vi förbehåller oss rätten till eventuella översättningsfel. Den engelska originaltexten råder.

Index

Välkommen	89
Säkerhetsvarningar	89
Elsäkerhet.....	90
Monteringsanvisningar	90
Beskrivning illustration A.....	90
Beskrivning illustration B.....	90
Beskrivning illustration C.....	90
Beskrivning illustration D.....	90
Tillbehör (bild H).....	90
Ytterligare monteringsinformation	90
Ytterligare miljö- information	91
Träning	91
Övning Instruktioner.....	91
Hjärtfrekvens	91
Användning	92
Justera stödfötterna	92
Panelen (fig. E-1)	93
Knappar.....	93
Förklaring av visningsobjekt.....	93
Förklaring av displayens ljudsignal.....	94
USB-funktion	94
Program	94
Snabbstart	94
Nedräkningsläge med mål (P0).....	94
Avsluta ditt träningspass	94
Förinställda program (P1~P36).....	94
Användarprogram (U01~U03)	94
Kroppsfett	95
HRC-program	95
ERP-funktion.....	95
Metrisk / Imperial inställning.....	95
Bluetooth & APP	96
Rengöring och underhåll	96
Allmän rengöring	96
Bandet och löpunderlaget	96
Smörjning (fig. F-6).....	96
Justera bältet	97
Störningar Vid Användning	97
Felkoder	97
Oil.....	97
E5	97
E7	98
Transport och lagring	98
Garanti	98
Teknisk information	98
Försäkran från tillverkaren	99
Friskrivning	99

Välkommen

Välkommen till Tunturi Fitness värld!

Tack för att du köpte denna utrustning från Tunturi. Tunturi erbjuder ett stort utbud av professionell träningsutrustning, exempelvis crosstrainers, löpband, träningscyklar, roddmaskiner, styrka bänkar och flera stationer. Utrustning från Tunturi passar hela familjen, oavsett träningsnivå. Mer information finns på vår webbplats, www.tunturi.com

Viktiga instruktioner om säkerhet

Läs noga igenom denna handbok innan du monterar,, använder eller reparerar ditt nya träningsredskap. Spara denna handbok; den innehåller information som du behöver nu och i framtiden för att använda och underhålla ditt redskap. Följ alltid dessa instruktioner noggrant.

Säkerhetsvarningar

⚠ VARNING

- Läs säkerhetsvarningarna och instruktionerna. Om inte säkerhetsvarningarna och instruktionerna följs kan det medföra skador på personer eller utrustningen. Behåll säkerhetsvarningarna och instruktionerna för framtida bruk.

⚠ VARNING

- System för övervakning av hjärtfrekvensen är inte alltid exakta. Överträning kan medföra allvarlig skada eller död. Sluta omedelbart att träna om du känner dig svag.

- Utrustningen är lämplig för hemmet och för professionellt bruk (t.ex. sjukhus, brandstationer, hotell, skolor etc.).
- Denna apparat kan användas av barn från 8 år och uppåt och personer med nedsatt fysisk, sensorisk eller mental förmåga eller bristande erfarenhet och kunskap om de har övervakats eller fått instruktioner om hur apparaten används på ett säkert sätt och förstår de risker som är förknippade med den.
- Barn bör övervakas för att säkerställa att de inte leker med apparaten.
- Innan du påbörjar din träning, uppsök en läkare som kan kontrollera din hälsa.
- Om du upplever illamående, yrsel eller andra onormala symptom, avsluta genast din träning och kontakta en läkare.
- Börja varje träningspass med att värma upp och avsluta varje träningspass med nedvarning för att undvika muskelsmärter och sträckningar. Kom ihåg att stretcha i slutet av träningen.
- Utrustningen är endast anpassad för användning inomhus. Utrustningen är inte anpassad för användning utomhus.
- Använd endast utrustningen i miljöer med god ventilation. Använd inte utrustningen i dragiga miljöer för att undvika att bli förkyld.
- Använd endast utrustningen i miljöer med temperatur mellan 10 °C och 35 °C. Förvara endast utrustningen i miljöer med temperatur mellan 5 °C och 45 °C.
- Använd inte och förvara inte utrustningen i fuktig miljö. Luftfuktigheten får aldrig överstiga 80%.
- Använd endast utrustningen för dess avsedda ändamål. Använd inte utrustningen för andra ändamål än de som beskrivs i handboken.
- Använd inte den här utrustningen om någon del är trasig eller skadad. Om någon del är trasig eller skadad, kontakta din återförsäljare.
- Håll undan händer, fötter och andra kroppsdelar från de rörliga delarna.
- Håll undan håret från de rörliga delarna.
- Bär passande kläder och skor.

- Håll undan kläder, smycken och andra föremål från de rörliga delarna.
- Låt bara en person åt gången använda utrustningen. Utrustningen får inte användas av personer som väger mer än 150 kg (330 lbs).
- Öppna inte utrustningen utan att kontakta din återförsäljare.

Elsäkerhet

(endast elektrisk utrustning)

- Före användning, kontrollera alltid att nätspänningen är densamma som spänningen på utrustningens märkplåt.
- Använd inte en förlängningssladd.
- Håll strömkabeln borta från värme, olja och vassa kanter.
- Ändra inte strömkabeln eller kontakten.
- Använd inte utrustningen om strömkabeln eller kontakten är trasig eller skadad. Om strömkabeln eller kontakten är trasig eller skadad, kontakta din återförsäljare.
- Rulla alltid ut strömkabeln helt.
- Dra inte strömkabeln under utrustningen. Dra inte strömkabeln under en matta. Placera inte några föremål på strömkabeln.
- Kontrollera att strömkabeln inte hänger över en bordskant. Kontrollera att strömkabeln inte kan komma åt avsiktligt eller snubblas över.
- Lämna inte utrustningen obevakad med kontakten instoppad i vägguttaget.
- Dra inte i strömkabeln för att avlägsna kontakten från vägguttaget.
- Avlägsna stickkontakten från vägguttaget när utrustningen inte används, innan den monteras eller monteras isär och innan den rengörs eller underhålls.

⚠ VARNING

- Om strömspänningen fluktuerar med 10 procent (10%) eller mer, kan detta ha en negativ inverkan på löparbandets funktion. Om löparbandet används under sådana förhållanden upphör garantin att gälla. Om du misstänker att spänningen är för lång, kontakta din elleverantör eller en behörig elektriker för att utföra en kontroll.

⚠ VARNING

- Lägg sladden för strömanslutningen så att den inte kankomma i kontakt med löparbandets rörliga delar inklusive liftmekanismen och transporthjulen.

⚠ VARNING

- Använd aldrig vatten eller någon annan vätska direkt på eller i närheten av utrustningen, utan använd endast en fuktig trasa om du behöver rengöra maskinen med fukt.
- Att använda vätska direkt är skadligt för utrustningens komponenter och kan leda till en elstöt orsakad av en kortslutning. Detta kan leda till allvarlig personskada eller till och med dödsfall.
- Apparaten får endast användas med den nätsladd som medföljer apparaten.

Jordningsföreskrifter

Den här produkten ska kopplas till ett jordat uttag. Om ett fel skulle uppstå i löparbandets elsystem skyddar jordningen mot elektrisk chock. Den här produkten levereras med en jordad sladd och stickpropp. Stickproppen ska anslutas till ett enligt korrekt jordat uttag som installerats enligt gällande regler och föreskrifter.

⚠ VARNING

- Fel i apparatens jordanslutningen innebär en ökad risk för elektrisk chock. Om du är osäker på anslutningen bör du kontakta en elektriker eller servicemontör för att kontrollera att apparaten är ordentligt jordad. Försök inte sätta i en stickpropp som inte passar i uttaget, anlita en elektriker för installation av passande vägguttag.

Monteringsanvisningar

Beskrivning illustration A

På illustrationen kan du se hur träningsredskapet ska se ut efter att monteringen har slutförts.

Du kan använda illustrationen som referens under monteringen, men följ alltid stegen i monteringsinstruktionerna i rätt ordning.

Beskrivning illustration B

På illustrationen kan du se vilka komponenter och delar som du ska hitta när du packar upp produkten.

!! OBS!

- Små delar kan ligga gömda/vara nedpackade i ihåliga utrymmen i produktskyddet av polystyren.
- Om någon del saknas, kontakta din återförsäljare.

Beskrivning illustration C

På illustrationen visas de monteringsdelar som följer med produkten. Monteringsdelarna omfattar bultar, brickor, skruvar, muttrar etc. och de verktyg du behöver för att kunna montera träningsredskapet korrekt.

Beskrivning illustration D

På illustrationerna visas i rätt ordning hur träningsredskapet ska monteras på bästa sätt.

⚠ VARNING

- Montera utrustningen i angiven ordning.
- Var två om att bära och förflytta utrustningen.

⚠ OBS.

- Placera utrustningen på en stabil och jämn yta.
- Placera utrustningen på en skyddande grund för att förhindra att golvet skadas.
- Lämna åtminstone 100 cm fritt runt utrustningen.
- Illustrationerna visar det korrekta sättet att montera utrustningen.

!! ANMÄRKNING

- Spara verktygen som följer med denna produkt när monteringen är klar så att du kan använda dem för framtida servicearbeten.

Tillbehör (bild H)

!! OBS

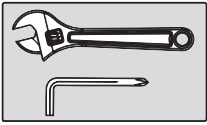
- Illustrationen visar hur träningsredskapet ser ut med lämpliga förlängda ledstänger.
- De förlängda ledstängerna finns att köpa som extra tillbehör.
- Artikelnummer: 22TRNRH000

Kontakta din återförsäljare för mer information.

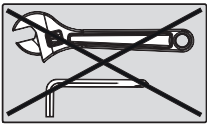
Ytterligare monteringsinformation

Åtdragning av skruvar och muttrar

För att förhindra att monterade ramdelar inte är korrekt inriktade bör du slutföra de första av de efterföljande stegen innan du helt drar åt skruvar och muttrar. På så sätt går det att röra på tidigare monterade delar så att den övergripande monteringen går smidigare. Du bör därför följa instruktionerna nedan.



Dra åt alla skruvar och muttrar ordentligt efter att alla komponenter har monterats i nuvarande och tidigare steg.



Dra inte åt alla skruvar och muttrar i detta steg.
Åtdragning för hand räcker.

Ytterligare miljö- information

Bortskaffande av förpackning

Riktlinjer från myndigheter uppmanar att vi minskar mängden avfall som placeras i deponier. Vi ber dig därför att bortskaffa allt förpackningsavfall på ett ansvarsfullt sätt på allmänna återvinningscentraler.

Bortskaffande av uttjänt redskap

Vi på Tunturi hoppas att du får många års trevlig användning av ditt träningsredskap. Men det kommer en tid när ditt träningsredskap är uttjänt. Enligt den europeiska WEEE-lagstiftningen, ansvarar du för korrekt bortskaffande av ditt träningsredskap på en allmän återvinningsanläggning.

Träning

Träningen måste vara lagom lätt, men hålla på länge. Aerobisk träning är till för att förbättra kroppens maximala syreupptag, vilket förbättrar uthålligheten och konditionen. Du ska svettas, men du ska inte bli andfådd under träningen. För att uppnå och behålla en grundkondition, träna åtminstone tre gånger i veckan, 30 minuter åt gången. Öka antalet träningspass för att förbättra din kondition. Det är bra att kombinera regelbunden träning med hälsosam kost. En person som har bestämt sig för att banta bör träna dagligen, 30 minuter eller mindre till en början och sedan öka den dagliga träningstiden till en timme. Börja din träning i låg hastighet och med lågt motstånd för att förhindra att hjärtkärlsystemet utsätts för kraftig belastning. När konditionen förbättras, kan hastigheten och motståndet ökas gradvis. Din tränings effektivitet kan mätas genom att kontrollera din hjärtfrekvens och din puls.

Övning Instruktioner

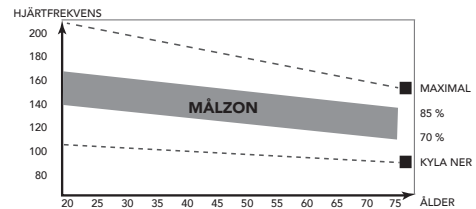
Användningen av ditt träningsredskap kommer att ge dig många fördelar; det kommer att förbättra din fysiska kondition, tona musklerna och tillsammans med en kalorikontrollerad diet hjälpa dig att gå ned i vikt.

Uppvärmningsfasen

Denna fas får blodet att börja pumpa runt i kroppen och förbereder musklerna på aktivitet. Den minskar även risken för kramp och muskelskada. Det är tillrådligt att göra några stretchövningar som visas nedan. Varje stretchövning ska hållas i ungefär 30 sekunder. Tvinga eller tryck inte in musklerna i en stretchövning. Om det gör ont, SLUTA

Träningsfasen

Detta är fasen där du jobbar. Efter regelbunden användning, kommer musklerna i dina ben att bli mer flexibla. I denna fas är det mycket viktigt att bibehålla ett jämnt tempo från början till slut. Ansträngningsnivån ska vara tillräcklig för att höja din puls till målzonen som visas i nedanstående figur



Denna fas bör pågå i minst 12 minuter, även om de flesta börjar med ungefär 15-20 minuter.

Nedvarningsfasen

Under denna fas får ditt kardiovaskulära system och dina muskler varva ned.

Den är en upprepning av uppvärmningsövningen, t.ex. minska ditt tempo, fortsätt i ca 5 minuter. Stretchövningarna ska nu upprepas. Kom ihåg att inte tvinga eller trycka in musklerna i stretchövningen. När du blir mer vältränad, kan du träna längre och hårdare. Vi rekommenderar att träna minst tre gånger i veckan, och, om möjligt, fördela dina träningstillfällen jämnt under hela veckan.

Muskeltoning

För att tona musklerna när du använder träningsredskapet, måste du ställa in en ganska hög belastning. Detta belastar benmusklerna mer och kan innebära att du inte kan träna så länge som du vill. Om du även försöker förbättra din kondition, måste du ändra ditt träningsprogram. Du bör träna som vanligt under uppvärmnings- och nedvarningsfaserna, men mot slutet av träningsfasen kan du öka belastningen så att dina ben får jobba hårdare. Du måste minska hastigheten för att hålla pulsen i målzonen.

Viktminskning

Den viktigaste faktorn här är hur mycket du anstränger dig. Ju hårdare och längre du tränar, desto fler kalorier bränner du. Detta är i princip detsamma som om du tränade för att förbättra din kondition, skillnaden är målet.

Hjärtfrekvens

Pulsmätning (handpulssensorer)

Pulsen mäts av sensorer i handtagen när användaren vidrör båda sensorerna samtidigt. Bäst pulsmätning fås när skinnet är en aning fuktigt och i ständig kontakt med handpulssensorerna. Om skinnet är för torrt eller för fuktigt kan pulsmätningen bli mindre exakt.

!! ANMÄRKNING

- Använd inte handpulssensorer tillsammans med ett pulsbälte.
- Om du har ställt in en begränsning av hjärtfrekvensen för din träning, kommer ett larm att ljuda när den överskrids.

Hjärtfrekvensmätning (pulsbälte)

!! ANMÄRKNING

- Ett bröstband är inte standard med denna tränare. När du gillar att använda ett trådlöst bröstband måste du köpa detta som tillbehör.

Den mest exakta mätningen av hjärtfrekvensen uppnås med ett pulsbälte. Hjärtfrekvensen mäts av en hjärtfrekvensmottagare i kombination med ett pulsbälte med sändare. Korrekt pulsmätning kräver att elektroderna på sändarbältet är en aning fuktiga och i ständig kontakt med skinnet. Om elektroderna är för torra eller för fuktiga kan pulsmätningen bli mindre exakt.

⚠ VARNING

- Kontakta en läkare innan du använder ett pulsbälte om du har pacemaker.

⚠ OBS.

- Om det finns flera enheter för hjärtfrekvensmätning bredvid arandra, kontrollera att avståndet mellan dem är minst 2 meter.
- Om det bara finns en hjärtfrekvensmottagare och flera hjärtfrekvenssändare, kontrollera att bara en person med sändare är inom mottagningsområdet.

!! ANMÄRKNING

- Använd inte ett pulsband tillsammans med handpulssensorer.
- Bär alltid pulsbandet under dina kläder, i direktkontakt med huden. Bär inte pulsbandet utanpå kläderna. Om du bär pulsbandet utanpå kläderna kommer det inte att bli någon signal.
- Om du har ställt in en begränsning av hjärtfrekvensen för din träning, kommer ett larm att ljuda när den överskrids.
- Sändaren sänder hjärtfrekvensen till panelen upp till ett avstånd på 1,5 meter. Om elektroderna inte är fuktiga, kommer inte hjärtfrekvensen att visas på displayen.
- Vissa klädfibrer (t.ex. polyester eller polyamid) skapar statisk elektricitet som kan förhindra en korrekt mätning av hjärtfrekvensen.
- Mobiltelefoner, tv-apparater och andra elektriska apparater skapar ett elektromagnetiskt fält som kan förhindra en korrekt mätning av hjärtfrekvensen.

Hjärtfrekvensmätning Maximal hjärtfrekvens (under träning)

Den maximala hjärtfrekvensen är den högsta hjärtfrekvens en person säkert kan få vid träning. Följande formel används för att beräkna den genomsnittliga maximala hjärtfrekvensen: $220 - \text{ÅLDER}$. Den maximala hjärtfrekvensen varierar från person till person.

⚠ VARNING

- Kontrollera att du inte överskrider din maximala hjärtfrekvensen under din träning. Kontakta en läkare om du tillhör en riskgrupp.

Nybörjarnivå**50-60% av den maximala hjärtfrekvensen**

Passar nybörjare, viktvaktare, konvalescenter och personer som inte har tränat på länge. Träna åtminstone tre gånger i veckan, 30 minuter åt gången.

Avanceradnivå**60-70% av den maximala hjärtfrekvensen**

Passar personer som vill förbättra och underhålla konditionen. Träna åtminstone tre gånger i veckan, 30 minuter åt gången.

Expert**70-80% av den maximala hjärtfrekvensen**

Passar de mest vältränade, som är vana vid långa och tunga träningspass.

Användning**Huvudströmbrytare (fig. E-2A)**

Utrustningen är utrustad med en huvudströmbrytare för att helt stänga av utrustningen.

Starta utrustningen:

- Anslut stickkontakten till utrustningen.
- Anslut stickkontakten till vägguttaget.
- Sätt huvudströmbrytaren i läge "på" (ON).

Stoppa utrustningen:

- Sätt huvudströmbrytaren i läge "av" (OFF).
- Avlägsna stickkontakten från vägguttaget.
- Avlägsna stickkontakten från utrustningen.

Säkerhetsnyckel (Fig F-4)

Utrustningen är försedd med en säkerhetsnyckel som måste sättas in ordentligt i konsolen för att starta utrustningen. Om säkerhetsnyckeln dras ut delvis kommer den att aktivera nödläget och stoppa utrustningen omedelbart.

- Sätt in säkerhetsnyckeln i konsolen genom att trycka den inåt.
- Se till att säkerhetsnyckeln klämma sitter ordentligt på dina kläder. Se till att klämman sitter fast ordentligt i dina kläder så att den kan dra ut säkerhetsnyckeln vid behov.

!! OBS

- Säkerhetsnyckeln kan inte tas bort från enheten eftersom den är en fast struktur.

!! ANMÄRKNING

- Konsolen visar E7-kod när säkerhetsnyckeln inte är på plats under start.

Brytare (fig. F-2B)

Utrustningen är utrustad med en brytare som bryter strömmen när den elektriska belastningen överstiger den maximala kapaciteten. När detta inträffar måste brytaren tryckas in.

⚠ VARNING

- Innan du trycker på brytaren, avlägsna stickkontakten från utrustningen.

Om utrustningen stängs av, gör följande för att starta om utrustningen:

- Avlägsna stickkontakten från utrustningen.
- Tryck på brytaren för att starta om utrustningen.
- Anslut stickkontakten till utrustningen.

!! ANMÄRKNING

- Vissa kretsbytare som används i hushåll är inte lämpade för höga spänningstoppar, vilka kan förekomma när man slår på löparbandet och även vid normal användning. Om löparbandet gör att säkringen går hemma hos dig (trots att rätt spänning används och löparbandet är den enda apparaten i gruppen) och löparbandets säkring inte bryter, måste du byta ut säkringen till en typ som klarar större spänningstoppar. Detta är inte en defekt som täcks av garantin. Detta är ett förhållande som tillverkaren inte kan råda över.

Fälla upp och fälla ihop utrustningen (fig. F1-F2)

Utrustningen kan fällas upp för användning (fig. F1) och fällas ihop för transport och lagring (fig. F2). Bilderna visar det korrekta sättet att fälla upp och fälla ihop utrustningen.

⚠ VARNING

- Se till att löparbandets lutning (Incline) är satt till 0 innan viking av däck sker. Om lutningen inte är satt till 1 kan detta skada mekanismen.

Justera stödfötterna

Utrustningen är utrustad med justerbara stödfötter.

Om utrustningen känns instabil, ranglig eller inte är korrekt planad, kan dessa stödfötter justeras för att göra nödvändiga korrigeringar.

- Vrid stödfötterna inåt/utåt efter behov för att placera utrustningen i ett stabilt och så plant läge som möjligt.
- Dra åt låsmutterna* för att låsa stödfötterna.

💡 SNABBTIPS

- Det är lättare att göra detta med två personer, så att en person kan luta utrustningen, medan den andra gör den nödvändiga justeringen.



Klicka för att se vår stödjande YouTube-video
https://youtu.be/E_7agKqaUic

!! OBS

- Utrustningen är mest stabil när den är så nära golvet som möjligt. Börja därför att plana ut utrustningen genom att vrida alla stödfötter helt inåt innan du vrider utåt de stödfötter som krävs för att stabilisera och plana ut utrustningen.

Panelen (fig. E-1)**⚠ OBS**

- Skydda panelen från direkt solljus.
- Torka av panelens yta när den är täckt av svett droppar.
- Luta dig inte mot panelen.
- Vidrör endast displayen med din fingertopp. Var noga med att inte dina naglar eller vassa föremål vidrör displayen.

!! ANMÄRKNING

- Panelen övergår till viloläge när utrustningen inte har använts på 4 minuter.

Knappar**Stopp/ Återställ**

- Tryck en gång för att stoppa träningspasset/ löpbandet försiktigt.
- Tryck två gånger för att stoppa träningspasset / löpbandet snabbt.
- Återställ konsolen genom att hålla intryckt under 2 sekunder i "stoppläge"

Start/ Paus

- Börja det valda träningspasset eller starta om/pausa träningspasset när i pausläge.
- Pausa aktivt träningspass.

Program

- Tryck för att bläddra igenom möjliga program. (P0/ P1~P36/ U01~U03/ HRC1~HRC3/ FAT)

Mode (Läge)

- Bläddra mellan parametrar för målinställningen i programmeringsläge.
- Återställ tidsmål när du ställer in tidsmål för "P1~P36"-program.
- Tryck på knappen för att frysa LED-skanningsvisningarna i träningsläget.
- Tryck på Mode [läge] en gång till för att starta och aktivera skanningsläget igen.

Speed + (Hastighet +)

- Öka hastigheten (0.8 ~ 24.0 km/h).
- Trycka en gång ökar hastigheten med 0.1 km/h.
- Trycka och hålla intryckt under två sekunder kommer öka hastigheten till snabbare.
- Bläddra program och ändra värden i programmeringsläge.

Speed - (Hastighet -)

- Minskar hastigheten (0.8 ~ 24.0 km/h).
- Trycka en gång minskar hastigheten med 0.1 km/h.
- Trycka och hålla intryckt under två sekunder minskar hastigheten snabbare.
- Bläddra program och ändra värden i programmeringsläge.

Snabbknappar:

Snabbknappar för hastighet är inställda till 6, 9, 12. Om till exempel snabbknapp 9 för hastighet trycks så ändras hastigheten till 9 km/h.

Snabbknappar på styret för hastighet:

- + Samma som hastighet +.
- - Samma som hastighet -.

Incline + (Lutning +)

- Ökar lutningen (0 ~ 15 +1).
- Bläddra program och ändra värden i programmeringsläge.

Incline - (Lutning -)

- Minskar lutningen (0 ~ 15 -1)
- Bläddra program och ändra värden i programmeringsläge.

Snabbknappar för lutning.

Snabbknappar för lutning är inställda på 0, 5, 10.

Om till exempel snabbknapp 5 för lutning trycks så ändras lutningen till 5.

Snabbknappar på styret för lutning:

- + : Samma som lutning +.
- - : Samma som lutning -.

Förklaring av visningsobjekt**Speed (Hastighet)**

- Visar löpbandets faktiska hastighet i träningsläge.
- Visar målhastighet i programmeringsläge.
- Visar programval när i programläge.

Incline (Lutning)

- Visar den faktiska lutning hos löpbandet i träningsläge.
- Visar mållutning i programmeringsläge.

Distance (Avstånd)

- Visar löpsträcka i träningsläge.
- Visar kvarvarande sträcka vid träning i nedräkningsläge.
- Visar målsträckan när i programmeringsläge.

Time (Tid)

- Visar löptid i träningsläge.
- Visar kvarvarande tid vid träning i nedräkningsläge.
- Visar måltiden när i programmeringsläge.

Steps (Steg)

Konsolen visar antalet steg du har tagit under ditt träningspass.

!! OBS

- För en stabil inbyggd stegräknarfunktion krävs en användarvikt på minst 40 kg och en inställd hastighet på minst 3 km/h.
- Om kroppsvikten och/eller inställd hastighet är lägre kan funktionen vara mindre stabil.

Heart (Hjärta)

- Visar pulsen i träningsläge eller "P" när ingen puls uppmäts.

Calories (Kalorier)

- Visar förbrukade kalorier i träningsläge.
- Visar återstående kalorier vid träning i nedräkningsläge.
- Visar målet för kalorier när i programmeringsläge.

!! OBS

- Denna data är en grov vägledning för jämförelse av olika träningspass och kan inte användas i medicinsk behandling.

Scan

- Skärm för "Time/ Step", "Heart/ Incline" & "Calories/ Distance" skannar var 5:e sekund.
- Du kan frysa önskad skärm genom att trycka på Läge, och sedan trycka på Läge igen för att starta och aktivera skanningsläget igen.

Förklaring av displayens ljudsignal

Konsolen är utformad för att meddela användaren med en ljudsignal. Detta för att göra användaren medveten att något förändrats för en säkrare träning.

Konsolen meddelar användaren när:

- När du nått ett förinställt mål.
- Att meddela en hastighets- eller lutningsändring baserat på det valda programmet.

USB-funktion

Du kan ansluta din enhet för laddning under träningen.
Spänning/ ström: 5VDC/ 1.0 Amp

Program

Snabbstart

- Tryck på knappen "Start/Paus" för att starta ditt träningspass utan några förinställda inställningar.
- Löpbandet startar med en lägsta hastighet på 1,0 km/h och behåller den aktuella inställningen för lutningen.
- Justera Hastighet / Lutning manuellt när som helst för att ändra ditt träningspass, och stoppa / pausa när du vill.

Nedräkningsläge med mål (P0)

Maskinen bör vara i startläge för åtkomst till Nedräkningsläge med mål.

Tryck och håll intryckt knappen "Stopp / Återställ" under 2 sekunder för att sätta löpbandet i startläge.

- Tryck på knappen "Läge" för att välja nedräkning till mål:
 - Träningsläge 1: Tidsmål.
Använd knapparna "Speed + & -" för att justera värdet, bekräfta genom att tryck på Mode knapp.
Standard är 30:00 min. Intervall 5:00~95:00 ± 1:00.
 - Träningsläge 2: Målsträcka:
Använd knapparna "Speed + & -" för att justera värdet, bekräfta genom att tryck på Mode knapp.
Standard är 1,00 km. Intervall 1.00~99.00 ± 1.0.
 - Träningsläge 3: Nedräkning med kalorier.
Använd knapparna "Speed + & -" för att justera värdet.
Standard är 50. Intervall 20~9990 ± 10.
- Tryck på knappen "Start / Paus" för att starta träningspasset direkt när du ställt in önskat mål.

!! OBS

- När du ställer in ett mål kommer löpbandet att stanna automatiskt när det förinställda målet uppnåtts.
- Det är bara möjligt att ställa in ett mål.

Avsluta ditt träningspass

- Pausa ditt träningspass när som helst genom att trycka en gång på knappen "Starta / Pausa".
Skärmen kommer visa "PAUS" när i pausläge. Maxtid för paus är 4,30 min.
- Tryck på knappen "Starta / Pausa" för att återuppta träningen när i "PAUS"-läge.
- Tryck på "STOPP" en gång för att stoppa träningen.
- Tryck på "STOPP" två gånger för att återställa konsolen.

Förinställda program (P1~P36)

Utrustningen har 36 förinställda program med olika profiler. (Tabell, bild G.)

- Tryck på knappen "Program" för att välja "P1~P36"-program.
- Ställ in önskad träningstid
Använd knapparna "Speed + & -" till att justera värdet.
Standard är 30:00 min. Intervall 5:00~95:00 ± 1:00.
- Tryck på knappen "Star/Paus" för att starta träningspasset.

!! OBS

- Hastigheten och lutningen styrs baserat på det valda programmet.
- Ett akustiskt pip meddelar användaren att justering av hastigheten och/eller lutningen sker om ett par sekunder.
- Varaktigheten för varje segment är 1/16 av den inställda träningstiden.
- Hastigheten och lutningen kan ändras när som helst men kommer endast att påverka det aktiva profilsegmentet. Programmet kommer följa profilen igen när den ändras till nästa profilsegment.

Användarprogram (U01~U03)

Utrustningen har 3 användarprogram.

Varje användarprogram kan anpassas efter personliga behov. Varje användarprogram har 16 steg. Hastighet och lutning kan ställas in för varje steg. Varje steg utgör 1/16 av den totala tiden.

- Tryck på knappen "Program" för att välja "U-1~U-3"-program.
- Ställ in önskad träningstid
Använd knapparna "Hastighet / Lutning + & -" till att justera värdet. Standard är 30:00 min.
Intervall 5:00~95:00 ± 1:00.
- Tryck på knappen "Star/Paus" för att starta träningspasset.

Programmeringsläge för profil.

- Tryck på knappen "Program" och välj U-1/U-2 eller U-3.
- Tryck på "Mode"-knappen för att öppna programmeringsläget för det valda användarprogrammet.
- Meny för profilprogrammering öppnas. Där kan du ställa in värdena för hastighet och lutning i det första av 16 segment.
- Ställ in värdena så här:
 - Använd "Speed + & -"-knapparna för att ställa in önskad hastighet.
 - Använd "Incline + & -"-knapparna för att ställa in önskad lutning.
 - Bekräfta genom att trycka på "Mode"-knappen.
- Programmeringsläge för programprofil, segment 2 öppnas.
- Programmeringen av de återstående 15 segmenten måste göras på samma sätt tills alla 16 segment är inställda.
- När du bekräftar det 16:e segmentet kommer tidsfönstret att blinka för att ställa in önskad träningstid.
- Ställ in önskad träningstid så här:
Använd "Speed + & -"-knapparna för att ställa in önskad träningstid.
Standardinställning: 30:00 min./Inställningens intervall: 5:00~99:00 ±1:00.
- Tryck på knappen "Start/Paus" för att starta programmet.

!! OBS

- Programmerad användarprogramprofil kommer sparas automatiskt så att de kan användas nästa gång.

Kropps fett

Programmet kropps fett är för att indikera ditt tillstånd baserat på dina kroppsparametrar och puls.

- Tryck på knappen "Läge" för att öppna programmeringsläget.
- Tryck på knappen "Program" för att välja "8-1" -programmet, tryck på knappen "Läge" för att bekräfta.
- Skärmen visar "F1" (SEX).
Skärmen visar "1"
Tryck på knapparna "Speed + & -" för att välja:
1: Man/ 2: Kvinna, tryck på knappen "Läge" för att bekräfta.
- Skärmen visar "F2" (Ålder).
Skärmen visar "25"
Tryck på knappen "Speed + & -" för att välja: 1~99
tryck på knappen "Läge" för att bekräfta.
- Skärmen visar "F3" (Höjd).
Skärmen visar "170" cm
Tryck på knapparna "Speed + & -" för att välja: 100~220 cm
tryck på knappen "Läge" för att bekräfta.
- Skärmen visar "F4" (Vikt).
Skärmen visar "70" kg
Tryck på knapparna "Speed + & -" för att välja: 20~150 kg
tryck på knappen "Läge" för att bekräfta.
- Skärmen visar "F5" (Aktiv)
Håll handpulsplattorna för att aktivera "FETT"-mätningen.
Om cirka 5~10 sekunder kommer resultatet att visas. Se "Beräkning av resultat".

! VARNING

- Hålla handpulsplattorna för mätning av puls krävs för denna funktion.

Beräkning av resultat:

KROPPSTYP: (Kroppsfettförhållande, 4 typer)

Kroppsfettprocent	0 ~ 17	Undervikt
Kroppsfettprocent	18 ~ 24	Standard
Kroppsfettprocent	25 ~ 28	Övervikt
Kroppsfettprocent	29 ~ +	Fetma.

- BF = Kroppsfett (i förhållande %)
- Felkoden "ER" kommer visas om ingen puls upptäcks under BF-mätprocessen.
- Tryck på knappen "Stopp/Återställ" för att lämna programmet kropps fett.

HRC-program

HRC-programmet är ett hastighetsstyrt program baserat på din puls. Hastigheten ökar automatiskt när din puls är under målet och minskar när du är över målet.

- Tryck på knapparna "Program" för att välja "HRC"
HRC1: Förinställt maximum. Hastighetsgränsen är 8 km/h.
HRC2: Förinställt maximum. Hastighetsgränsen är 12 km/h.
HRC3: Förinställt maximum. Hastighetsgränsen är 16.0 km/h. program.
- Ställ in din ålder skärmen visar "25"
Tryck på knapparna "Upp/Ner" för att välja: 1~99
tryck på knappen "Läge" för att bekräfta.

- Målpuls kommer visas baserat på den inställda ålder. Målpuls = $(220 - \text{ålder}) \times 0,6$.
Tryck på knapparna "Upp/Ner" för att ändra målvärdet 60~200
tryck på knappen "Läge" för att bekräfta.
- Ställ in din träningstid skärmen visar "30:00"
Tryck på knapparna "Upp/Ner" för att välja: 5:00~99:00.
- Tryck på knappen "Start/Paus" för att starta programmet.

HRC-driftfunktion:

- HRC-program börjar med en minuts uppvärmning. (hastigheten kommer inte justeras automatiskt)
- Den inledande hastigheten är 1,0 km/h och kan justeras till en bekväm hastighet för uppvärmning manuell.
- Konsolen kontrollerar pulsen var 30:e sekund och kontrollerar hastigheten enligt nedan.

Puls	parameter	hastighets-justering
29+ BPM	Under målet	+ 2,0 km/h
6~29 BPM	Under målet	+ 1,0 km/h
0~5 BPM	Under målet	Ingen justering
0~5 BPM	Över målet	Ingen justering
6~29 BPM	Över målet	- 1,0 km/h
29+ BPM	Över målet	- 2,0 km/h

!! OBS

- Lutningsinställningen kan inte ändras i HRC-programläge men kan ändras av användaren för att intensifiera eller underlätta träningspasset.
- Hastigheten kan ändras av användaren när som helst.
- När hastigheten är över den förinställda hastighetsgränsen kommer den att justeras automatiskt till den förinställda hastighetsinställningen.
- Om ingen puls upptäcks avslutar löpbandet träningspasset.

! VARNING

- Pulsmätning krävs för denna funktion.

ERP-funktion

ERP-funktionen kan sätta löpbandet i viloläge automatiskt när den inte används under 4:30 minuter.

Du kan slå på och stänga av den här funktion genom att:

- När löpbandet är i "startläge" trycker du och håller intryckt knappen "Läge" under 3 sekunder för att växla mellan På och Av.
 - Skärmen visar "1111" för att indikera På-läge.
Maskin kommer att sättas i viloläge efter 4:30 minuter stillastående.
 - Skärmen visar "2222" för att indikera Av-läge.
Maskin kommer att sättas i viloläge efter 4:30 minuter stillastående.

! VARNING

- Vi rekommenderar att alltid ställa in ERP-funktionen till På-läge.

Metrisk / Imperial inställning

När den visade hastigheten inte matchar dina förväntningar kan maskinen vara inställd i fel inställning.

Metrisk: Min./ Max. Hastighet:
0.8 Km/h/ 24.0 km/h.

Imperial: Min./ Max. Hastighet:
0.5 Mls/h/ 15.0 Mls/h.

Byt enheter genom:

I läge "ON":

Håll knappen "Prog" & "Speed -" intryckt i 3 sekunder.

Konsolen visar S-01-läge:

- 0,6 När bytte till Imperial-läge.
 - 1.0 När bytte till Metriska läge.
 - Håll in "Mode"-knappen i två sekunder för att byta inställning.
- Tryck på "Start/ Pause" -knappen för att bekräfta inställningen och återgå till användarläge igen.



Klicka för att se vår stödjande YouTube-video
<https://youtu.be/KOxI5obz-RQ>

Bluetooth & APP

- Denna panel kan ansluta APP (Fit Hi Way) på den smarta enheten med Bluetooth. (iOS & Android).
- Upprätta Bluetooth-anslutningen endast via anslutningsläget på den installerade APP-enheten på din smarta enhet.

!! OBS

- Tunturi ger dig endast möjligheten att ansluta din träningspanel med en Bluetooth-anslutning. Därför bär Tunturi inget ansvar för skador eller felfunktioner som uppstår på andra produkter än Tunturi-produkter.
- Kolla webbplatsen för extra information.

Rengöring och underhåll

⚠ VARNING

- Din utrustning kräver månatligt underhåll, även när den inte används.
 - Innan rengöring och underhåll, avlägsna stickkontakten från vägguttaget.
 - Använd inte lösningsmedel för att rengöra utrustningen.
 - Rengöring och underhåll får inte utföras av barn utan tillsyn.
- Blockera inte ventilationsöppningarna. Håll ventilationsöppningarna rena från damm, smuts och andra hinder.
 - Rengör utrustningen med en mjuk och absorberande trasa efter varje användning.
 - Rengör synliga delar av utrustningen med en dammsugare med ett litet sugmunstycke.
 - Kontrollera regelbundet att alla skruvar och muttrar är åtdragna.

⚠ VARNING

- Vi rekommenderar att du endast använder inomhusskor på ditt löpband. Om du inte har inomhusskor rekommenderar vi att du kontrollerar sulorna på dina skor innan du använder dem på löpbandet och ser till att de är rena, eftersom löpbandet inte är gjort för smuts och partiklar som kan finnas utomhus.

Allmän rengöring

Smuts, damm och hår från husdjur kan med tiden blockera ventilationsöppningarna på löparbandet. Månatlig rengöring: dammsug under löparbandet.
KOPPLA ALLTID UR STICKPROPPEN INNAN DU GÖR NÅGOT AV DETTA.

Banddamm

Detta uppstår i början och är normalt under inkörningsperioden. Torka bort synligt damm med en fuktig trasa

Bandet och löpunderlaget

Ditt löpband har en högeffektiv lågfriktionsbädd. Löpbandets prestanda maximeras när löpardäcket hålls rent och fritt från damm och smuts. Smuts och dammpartiklar mellan löpardäck och löpband kommer att skada din löpardäcks yta och påverkar prestandan och produktlivslängden.

Hur man rengör löpardäcket

Använd en mjuk, torr trasa för att torka av bältets kant och området mellan bältets kant och ram. Försök att nå under löpbandets kanter också, för att ta bort smuts som samlats längs kanterna.

Hur man rengör löpbältets yta

Använd först en skurborste i nylon för att ta bort de lösa partiklarna från löpbandets yta. Använd sedan en urvriden fuktig trasa (ej rengöringsmedel eller slipmedel) för att försiktigt rengöra toppen av det mönstrade bältet. Låt bältet torka helt innan du använder det.

!! OBS

- Om bältet blir för smutsigt för att rengöras med vatten kan du använda en mild tvål, men använd aldrig lösningsmedel.
- Förhindra under alla omständigheter att lösningen sipprar ned mellan löpardäck och löpband.

Detta bör göras regelbundet för att förlänga bältets och löpardäckets livslängd.

Smörjning (fig. F-6)

!! OBS

- Löpbandets löpband är försmörjt innan det monteras på löpbandet under tillverkningen av enheten. Man behöver därför inte smörja löpbandet när det tas i bruk för första gången.

Löpbandet måste inspekteras regelbundet för smörjning. Löpbandet har därför en påminnelsefunktion på 300 km. "TIME WINDOW" [TIDSFÖNSTRET] visar "OIL" [SMÖRJ] och ett pip ljud hörs var 10:e sekund för att påminna dig. Följ nedanstående inspektionsprocedur och eliminera meddelandet "OIL" [SMÖRJ] och ljudvarningssignalen genom att trycka på knappen "STOP" [STOPP] i minst 3 sekunder när varningssignalen ljuder.

⚠ VARNING

- Innan smörjning, avlägsna stickkontakten från vägguttaget.

⚠ OBS.

- Vi rekommenderar att du kontrollerar löpbandets smörjning minst en gång i månaden, eftersom fler faktorer än tiden kan vara relevanta för smörjmedelsförhållandena.
 - Smörj bara löpmattan vid behov. Om du använder för mycket smörjmedel, kommer löpmattan att slira på grund av för lite friktion.
- Stå stabilt på löpmattan.
 - Håll i det främre handtaget och använd dina fötter för att trycka löpmattan så att den glider fram och tillbaka. Löpmattan måste röra sig jämnt och ljudlöst.
 - Om löpmattan inte rör sig jämnt, eller om det inte rör sig alls, vidrör undersidan av löpmattan med dina fingertoppar och undersök smörjningen:
 - Om du känner smörjmedel eller om dina fingertoppar är blanka finns det tillräckligt med smörjmedel på löpmattan.
 - Om du inte känner något smörjmedel, eller om dina fingertoppar är dammiga, applicera smörjmedel (± 10 ml.) i mitten av löpbrädan under löpmattan och låt utrustningen vara igång i 5 km/h under minst fem minuter.
 - Efter smörjning, fäll inte ihop utrustningen innan du har tränat i 2 minuter med en hastighet på minst 5 km/h. Detta gör att smörjmedlet absorberas helt av löpremman och sprids jämnt.

!! OBS

- Om 5 km/h är för snabbt för dig, gå i önskad takt, men utöka till minst 5 minuter.



Klicka för att se vår stödjande YouTube-video
<https://youtu.be/ceaOYnofY5k>

Justera bältet

Öparbandets prestanda är beroende på den yta som ramen står på. Om golvet inte är plant kan rullarna fram och bak inte löpa parallellt och ständig justering kan behövas.

Löparbandet har designats för att hålla bandet i mitten under användningen. Det är normalt att ett band kan dras åt ena sidan när det inte belastas. Efter några minuters användning ska bandet dock dras mot mitten igen. Om bandet istället fortsätter att dra åt ena hållet under användningen måste det justeras.

UNDANTAG:

Vid rehabilitering och användaren har större styrka i det ena benet, då kan det hända att bandet dras åt ena sidan. Under sådana omständigheter ska du inte justera då bandet återställer sig vid jämn belastning.

Justera bandspårningen

Denna justering görs genom att den bakre rullen. Ställskruvarna är placerade vid ändarna av ändkåporna.

- Spänn de bakre bandrullemuttrarna (medurs) bara så att bandet inte slirar på frontrullen. Vrid båda spännbultar lika mycket i steg om 1/4 varv åt gången och testa spänningen genom att gå på bandet vid en mycket låg hastighet för att kontrollera att bandet inte slirar på rullarna. Fortsätt justera tills bandet inte slirar längre.
- Om bandet är tillräckligt spänt men fortfarande slirar kan detta bero på en löst motorrem under fronthöljet.
- Spänn inte för hårt: Om du spänner bandet för hårt kan det ta skada både bandet och lagren.



Klicka för att se vår stödjande YouTube-video
https://youtu.be/pp4_4bL1MXo

Centrera löpremman (fig. F-5)

Centrering av löpbältet behövs när ditt löpbälte inte löper i mitten av din löpyta. Detta syns tydligt när gapet mellan sidostycket och löpbälte är betydligt större på ena sidan jämfört med den andra sidan.

Detta kan orsakas av (följande):

ORSAK 1

Ena ben trycker ifrån med mer kraft i push-off under ditt träningspass. Detta gör att bältet skjuts åt sidan, men korrigeras automatiskt när löpremman får löpa olastad i några minuter.

ORSAK 2

Löparbandet ligger inte vågrätt horisontellt, där tyngdkraften drar löparbandet långsamt till den lägsta änden av löparbandet. Detta måste åtgärdas genom att ställa löparbandet i rätt nivå eftersom det inte kan lösas med någon annan justering.

ORSAK 3

Löparbandet är inte korrekt centrerat mellan främre och bakre valstrumman. Detta måste korrigeras genom att justera löpbältets spårning enligt beskrivningen nedan.

För att justera löpbältets spårning, använd insexnyckeln som medföljer ditt löparband.

- Ställ in ditt löparband på en hastighet av ± 5 km/h, utan att springa på det.
- När löpbältet drar åt höger.
Vrid den vänstra bakre valsens justeringsratt, som sitter på den bakre änden i ett uttag i det bakre valsskyddet, moturs i 1/4 varv.

- När löpbältet drar åt vänster.
Vrid den högra bakre rulljusteringen, som sitter på den bakre änden i ett uttag i den bakre rullkåpan, moturs i 1/4 varv.
- Vänta ± 2 minuter för att ge löpremman tid att svara på justeringen innan du upprepar justeringsstegen vid behov.

!! OBS

- Kom ihåg att en liten justering kan göra stor skillnad, så justera med små steg åt gången.



Klicka för att se vår stödjande YouTube-video
<https://youtu.be/qx5AvTv00J4>

Regelbunden justering av bandspårningen kan krävas beroende på användning och kraftfördelning under träningen. Olika användare kan påverka spårningen olika. Det är normalt att behöva justera bandspårningen då och då. Efter ett tag krävs mindre justering. Rätt bandspårning är ägarens ansvar och är en normal justering som behövs göras regelbundet på alla löparband.

!! ANMÄRKNING

- Skada som uppstått till följd av fel bandspårning / spänning, täcks inte av garantin.

Störningar Vid Användning

Trots kontinuerlig kvalitetskontroll kan fel eller funktionsstörningar som beror på någon enskild komponent förekomma. Därför är det onödigt att hela redskapet skickas på reparation, eftersom det för det mesta räcker med att aktuell komponent byts.

Kontakta genast din försäljare om du upptäcker fel eller brister när du använder ditt redskap eller om du behöver reservdelar. Uppge alltid redskapets modell och serienummer. Beskriv problemet, hur redskapet använts, och uppge inköpsdagen.

Behöver du reservdelar, uppge också numret på reservdelar; du hittar en lista på reservdelar i slutet på den här handboken. Till apparaten är endast delar från reservdelslistan användas.

Felkoder

Om displayen visar en felkod ("E" + siffra), starta om utrustningen och kontrollera om displayen fortfarande visar felkoden. Om displayen fortfarande visar felkoden, kontakta omedelbart återförsäljaren.

Oil

OIL är inte en felkod, se "Smörjning"

E5

Betyder strömfel.

När du startar om löparbandet T90 är det viktigt att vänta i minst 30 sekunder. Löparbandet måste vara avstängt i 30 sekunder innan det startas igen. Om du startar om för tidigt visas E5 åter igen. Detta eftersom växelströmsmotorns styrenhet behöver längre tid för att stängas av helt och fortsätter processen efter att apparaten stängts av i minst 15 sekunder.

Lös problemet genom att stänga av löparbandet genom att slå av strömbrytaren. Vänta i 30 sekunder innan du slår på strömbrytaren igen. Felkod E5 ska nu inte visas längre.

Om felkoden fortsätter att visas kontakta din återförsäljare för service.

E7

Konsolen visar E7-kod när säkerhetsnyckeln inte är på plats under start.

E7 är inte en felkod, se "Säkerhetsnyckel"

Transport och lagring

⚠ VARNING

- Innan rengöring och underhåll, avlägsna stickkontakten från vägguttaget.
- Var två om att bära och förflytta utrustningen.
- Kontrollera att det inte finns några andra personer eller föremål under utrustningen.
- När utrustningen fälls ihop, kontrollera att utrustningen blir fastlåst för att förhindra att den faller tillbaka ner.

⚠ OBS.

- Innan utrustningen fälls ihop, kontrollera att lutningen är 0%. Omlutningen inte är 0% kommer mekanismen att bli skadad av att fällas ihop.

- Förflytta utrustningen som på bilden (fig. F3). Förflytta utrustningen och sätt ner den försiktigt. Placera utrustningen på en skyddande grund för att förhindra att golvet skadas. Förflytta utrustningen försiktigt över ojämna ytor. Förflytta inte utrustningen till övervåningen med hjulen, utan bär utrustningen med handtagen.
- Förvara utrustningen upprätt (fig. F1). Förvara utrustningen på en torr plats med så liten temperaturvariation som möjligt.

Garanti

Tunturis ágargarantititunt

Garantivillkor

Konsumenten har rätt till tillämpliga lagliga rättigheter som anges i den nationella lagstiftningen om handel med konsumentvaror. Denna garanti begränsar inte dessa rättigheter. Köparens garanti är endast giltig om produkten används i en miljö som är godkänd av Tunturi New Fitness BV och underhålls enligt instruktionerna för den specifika utrustningen. Den produktspecifika godkända miljön och underhållsinstruktionerna anges i produktens "användarhandbok". "Användarhandboken" kan laddas ned från vår webbplats. <http://manuals.tunturi.com>

Garantivillkor

Garantivillkoren börjar att gälla från inköpsdatumet. Garantivillkoren kan variera mellan olika länder. Kontakta en lokal återförsäljare om garantivillkoren.

Garantins omfattning

Oavsett omständigheter, ansvarar inte Tunturi New Fitness BV eller Tunturis återförsäljare för uppkomna personskador som påverkar köparen, och som innebär inkomstförlust eller andra ekonomiska följdverkningar.

Gegränsningar i garantin

Garantin gäller för arbets- och materialfel, förutsatt att redskapet är i originalmonterat skick. Garantin gäller endast fel som uppstår vid normalt bruk och då den använts enligt Tunturis instruktioner gällande montering, skötsel och användning. Tunturi New Fitness BV och Tunturis återförsäljare ansvarar ej för fel som uppkommer utanför deras kontroll.

Garantin gäller endast redskapets ursprungliga ägare och är gällande endast i de länder där det finns en godkänd Tunturi New Fitness BV återförsäljare.

Garantin gäller ej för redskap eller delar som har ändrats utan Tunturi New Fitness BV:s godkännande. Garantin gäller ej för fel som beror på normalt slitage, felaktig användning, användning i förhållanden som inte är avsett för redskapet, korrosion eller lastnings- och transportskador.

Garantin täcker inte ljud som uppstår under användning såvida dessa inte väsentligt hindrar utrustningens användning eller har orsakas av ett fel i utrustningen.

Garantin gäller inte för underhållsarbete, som rengöring, smörjning eller normal kontroll av komponenterna och inte heller för monteringsarbete som kunden själv kan göra och som inte kräver att redskapet plockas isär/sätts ihop. Det gäller till exempel byte av mätare, trampor eller andra motsvarande enkla delar. Garantireparationer utförda av andra än en godkänd Tunturi-representant, ersätts inte. Ifall instruktionerna i manualen inte följs upphävs produktens garanti.

Teknisk information

Parameter	Måttenhet	Värde
Nätspänning	VAC	210~240
Nätfrekvens	HZ	50~60
Hastighet	Km/H	0.8~24.0
Lutning	Step	0~15
Längd / (ihopvikt)	Cm	192.4 / (137.0)
Längd / (ihopvikt)	Inch	75.7 / (53.9)
Bredd	Cm	92.1
Bredd	Inch	36.3
Höjd / (ihopvikt)	Cm	149.1 / (155.0)
Höjd / (ihopvikt)	Inch	58.7 / (61.0)
Vikt	Kg	117.0
Vikt	Lbs	257.9
Max användarvikt	Kb	150
Max användarvikt	Lbs	330
Hjärtfrekvensmätning tillgänglig via:	Handgrepps kontakt 5.0 Khz 5,3 kHz. Bluetooth (BLE) ANT+	Ja Nej Nej Ja Nej

!! OBS

- För att få reda på mer om produktdimensioner och funktionella dimensioner, se illustration J.

Försäkran från tillverkaren

Tunturi New Fitness BV försäkrar att Signature T90 Löpband överensstämmer med följande standarder och direktiv:

- RoHS-direktivet (2011/65/EU)
- Maskindirektivet (2006/42/EC)

Härmed förklarar Tunturi New Fitness BV att Signature T90 Löpband av radioutrustningstyp är i överensstämmelse med direktivet 2014/53/EU.

Försäkran om överensstämmelse, inklusive alla standarder och direktiv, kan laddas ner från vår webbplats: <https://doc.tunturi.com>

Tunturi New Fitness BV
Purmerweg 1
1311 XE Almere
Nederländerna

Friskrivning

© 2025 Tunturi New Fitness BV
Alla rättigheter förbehållna.

- Produkten och handboken kan komma att ändras.
- Specifikationer kan ändras utan förvarning.
- På vår webbplats finns den senaste bruksanvisningen.

Suomeksi

Tämä suomennettu käyttöohje on käännetty Englannin kielestä. Pidätämme oikeudet mahdollisiin käännösvirheisiin. Käännös tehty virallisen, englanninkielisen version pohjalta.

Sisältö

Tervetuloa	100
Turvallisuusvaroitukset	100
Sähköturvallisuus	101
Kokoamisohjeet	101
Kuvan A kuvaus	101
Kuvan B kuvaus	101
Kuvan C kuvaus	101
Kuvan D kuvaus	101
Lisävarusteet (kuva H).....	101
Asennusta koskevia lisätietoja	102
Lisätietoja ympäristöstä.....	102
Harjoitukset	102
Ohjeita harjoittelua varten	102
Syke	102
Käyttö	103
Tukijalkojen säätö	104
Ohjauspaneeli (kuva. E-1)	104
Painikkeet	104
Näytön kohtien selitykset.....	104
Näytön piippauksen selitys	105
USB funktio.....	105
Ohjelmat	105
Pika-aloitus	105
Tavoitelaskuritila (P0)	105
Lopeta harjoituksesi	105
Valmisohjelmat (P1–P36)	105
Käyttäjäohjelmat (U01–U03)	105
Kehon rasvan mittaus.....	106
Sykeohjattu ohjelma (HRC).....	106
ERP-toiminto	107
Metrinen / keisarillinen asetus.....	107
Sovellus & Bluetooth.....	107
Puhdistus ja huolto	107
Peruspuhdistus.....	107
Matto ja juoksualusta	107
Voitelu (kuva F-6).....	107
Maton säädöt	108
Käyttöhäiriöt	109
Virhekoodit.....	109
Oil.....	109
E5	109
E7	109
Kuljetus ja säilytys	109
Takuu	109
Tekniset tiedot	110

Valmistajan vakuutus	110
-----------------------------------	------------

Vastuuvapauslauseke	110
----------------------------------	------------

Tervetuloa

Tervetuloa Tunturi Fitness -maailmaan!

Kiitämme sinua tämän Tunturi-laitteen ostosta. Tunturi tarjoaa laajan valikoiman ammattimaisia kuntoilulaitteita, mukaan lukien crosstrainerit, juoksumatot, kuntopyörät, soutilaitteet, voimapenkit ja moniasemat.

Tunturi-laite sopii koko perheelle kuntotasosta riippumatta. Katso lisätiedot verkkosivuiltamme www.tunturi.com

Tärkeitä turvallisuusohjeita

Tämä opas on olennainen osa kuntolaitettasi. Pehdy ohjeisiin huolellisesti ennen kuin asennat, käytät tai huollat kuntolaitettasi. Sinun tulee ehdottomasti säilyttää tämä opas, sillä jatkossa se opastaa Sinua niin kuntolaitteesi tehokkaaseen käyttöön kuin huoltoonkin. Muista aina noudattaa tämän oppaan ohjeita.

Turvallisuusvaroitukset

⚠ VAROITUS

- Lue turvallisuusvaroitukset ja -ohjeet. Turvallisuusvaroitusten ja -ohjeiden jättäminen noudattamatta voi aiheuttaa henkilön loukkaantumisen tai laitevaurion. Säilytä turvallisuusvaroitukset ja -ohjeet myöhempää käyttöä varten.

⚠ VAROITUS

- Sykkeenvältojärjestelmät saattavat olla epätarkkoja. Liiallinen harjoittelu saattaa aiheuttaa vakavia vammoja tai kuoleman. Jos tunnet olosi heikoksi, lopeta harjoittelu heti.

- Tämä laite soveltuu sekä koti- että ammattikäyttöön (esim. sairaaloihin, paloasemille, hotelleihin, kouluihin).
- Tätä laitetta voivat käyttää 8-vuotiaat ja sitä vanhemmat lapset sekä henkilöt, joilla on heikentyneet fyysiset, aistilliset tai henkiset kyvyt tai joilla ei ole kokemusta ja tietoa, jos heitä valvotaan tai heille on annettu ohjeet laitteen turvalliseen käyttöön ja he ymmärtävät laitteen käyttöön liittyvät vaarat.
- Lapsia on valvottava, jotta varmistetaan, etteivät he leiki laitteella.
- Ennen harjoituksen aloittamista ota yhteys lääkäriin terveystarkastusta varten.
- Jos sinulla on pahoinvointia, huimausta, tai muita epätavallisia oireita, lopeta välittömästi harjoitus ja ota yhteys lääkäriin.
- Vältä lihaskipuja ja venähdyksiä aloittamalla jokainen harjoitus lämmittelyjaksolla ja päättää jokainen harjoitus jäähdyttelyjaksolla. Muista venytellä harjoittelun lopuksi.
- Laite on sopiva vain sisäkäyttöön. Laite ei ole sopiva ulkokäyttöön.
- Käytä laitetta riittävällä tuuletuksella varustetuissa tiloissa. Älä käytä laitetta vetoisissa tiloissa välttääksesi kylmetytymisen.

- Käytä laitetta vain ympäristölämpötilassa 10 °C - 35 °C. Säilytä laitetta vain ympäristölämpötilassa 5 °C - 45 °C.
- Älä käytä tai säilytä laitetta kosteissa tiloissa. Ilmankosteus ei saa koskaan olla yli 80 %.
- Käytä laitetta vain sen aiottuun tarkoitukseen. Älä käytä laitetta muihin, kuin tässä käyttöoppaassa esitettyihin tarkoituksiin.
- Älä käytä laitetta, jos sen jokin osa on vaurioitunut tai viallinen. Jos osa on vaurioitunut tai viallinen, ota yhteys jälleenmyyjään.
- Pidä kätesi, jalkasi ja kehon muut osat pois liikkuvista osista.
- Pidä hiuksesi pois liikkuvista osista.
- Käytä asianmukaista vaatetusta ja kenkiä.
- Pidä vaatteet, korut ja muut esineet pois liikkuvista osista.
- Varmista, että vain yksi henkilö kerrallaan käyttää laitetta. Yli 150 kg (330 lbs) ainava henkilö ei saa käyttää laitetta.
- Älä avaa laitetta ilman yhteydenottoa jälleenmyyjäsi.

Sähköturvallisuus

(koskee vain sähköistä laitetta)

- Varmista aina ennen käyttöä, että sähkölähteen jännite on sama kuin laitekilvessä ilmoitettu laitteen nimellisjännite.
- Älä käytä jatkojohtoa.
- Pidä virtajohto pois kuumasta, öljystä ja terävistä kulmista.
- Älä tee muutoksia virtajohtoon tai pistokkeeseen.
- Älä käytä laitetta, jos virtajohto tai virtajohdon pistoke on vaurioitunut tai viallinen. Jos virtajohto tai virtajohdon pistoke on vaurioitunut tai viallinen, ota yhteys jälleenmyyjäsi.
- Suorista aina virtajohto täysin.
- Älä vie virtajohtoa laitteen alitse. Älä laita virtajohtoa maton alle. Älä laita virtajohdon päälle mitään esineitä.
- Varmista, ettei virtajohto roiku pöydän kulman yli. Varmista, ettei virtajohtoon voi vahingossa tarttua kiinni tai kompastua.
- Älä jätä laitetta ilman valvontaa virtajohdon ollessa liitettyinä pistorasiaan.
- Älä vedä pistoketta irti pistorasiasta virtajohdosta vetämällä.
- Irrota pistoke pistorasiasta, kun laite ei ole käytössä, ennen asennusta tai purkamista ja ennen puhdistusta sekä huoltoa.

⚠ VAROITUS

- Jos virtalähteen jännitevaihtelu on 10 % tai enemmän, se voi vaikuttaa kielteisesti juoksumaton toimintaan. Sellaiset olosuhteet eivät kuulu takuun piiriin. Jos epäilet, että jännite on alhainen, ota yhteyttä energiayhtiösi tai valtuutettuun sähkömieheen asian tarkistamiseksi.

⚠ VAROITUS

- Sijoita verkkojohto riittävän etäälle juoksumaton liikkuvista osista, kaltevuusmekanismi ja siirtopyörät mukaan lukien.

⚠ VAROITUS

- Älä koskaan käytä vettä tai mitään muuta nestettä suoraan laitteen päällä tai lähellä. Jos laitteen puhdistamiseen tarvitaan nestettä, käytä kosteaa liinaa.
- Nesteen käyttäminen suoraan laitteessa on haitallista laitteen osille, ja tästä syntyvä oikosulku voi aiheuttaa sähköiskun. Seurauksena voi olla vakava vamma tai jopa kuolema.
- Laitetta saa käyttää ainoastaan laitteen mukana toimitetun virtajohdon kanssa.

Maadoitusohjeet

Tämä laite on liitettävä maadoitettuun pistorasiaan. Jos juoksumaton sähköjärjestelmään sattuisi tulemaan häiriöitä tai vikaa, maadoitus vähentää sähköiskun vaaraa tarjoamalla sähkövirralle vähiten vastusta sisältävän polun. Juoksumaton verkkojohdossa on maadoitettu pistoke. Pistoke on liitettävä asianmukaiseen seinäpistorasiaan, joka on asennettu ja maadoitettu kaikkien paikallisten normien ja määräysten mukaisesti.

⚠ VAROITUS

- Maattojohdon väärä liitântä voi aiheuttaa sähköiskun vaaran. Jos et ole varma siitä, onko laite maadoitettu ohjeiden mukaisesti, tarkista asia pätevältä sähkömieheltä tai huoltoasentalta. Jos kuntolaitteen mukana toimitettu pistoke ei sovi pistorasiaan, älä yritä tehdä pistokkeeseen muutoksia. Ota yhteyttä valtuutettuun sähkömieheen ohjeiden mukaisen pistorasian asentamiseksi.

Kokoamisohjeet

Kuvan A kuvaus

Kuvassa on esitetty, miltä harjoituslaite näyttää, kun asennus on saatu valmiiksi.

Voit käyttää tätä viitteenä asennuksen aikana, mutta tee asennusvaiheet aina oikeassa järjestyksessä kuvien mukaisesti.

Kuvan B kuvaus

Kuvassa on esitetty, mitä komponentteja ja osia sinun tulisi löytää poistaessasi tuotteen pakkauksesta.

!! HUOMAUTUS!!

- Pienet osat voivat olla piilossa / pakattuina Styrofoam-tuotesuojan koloihin.
- Jos osa puuttuu, ota yhteys jälleenmyyjään.

Kuvan C kuvaus

Kuvassa on esitetty tuotteesi mukana tuleva välinepaketti.

Välinepaketti sisältää pultit, aluslaatat, ruuvit, mutterit jne. sekä tarvittavat työkalut harjoittelulaitteen asianmukaiseen asennukseen.

Kuvan D kuvaus

Kuvassa on esitetty oikea järjestys, jota noudattamalla harjoittelulaitteen asennus onnistuu parhaiten.

⚠ VAROITUS

- Kokoonpane laite esitetyssä järjestyksessä.
- Vähintään kahden henkilön on kannettava ja siirrettävä laitetta.

⚠ HUOMAUTUS

- Sijoita laite kovalle, tasaiselle alustalle.
- Asettakaa laite suojalustalle lattiapinnan vaurioiden estämiseksi.
- Varaa vähintään 100 cm tilaa laitteen ympärille.
- Katso piirroksesta laitteen oikea asennus.

!! ILMOITUS

- Kun olet suorittanut asennuksen loppuun, pane tämän tuotteen mukana toimitetut työkalut talteen tulevia huoltotöitä varten.

Lisävarusteet (kuva H)

HUOMAUTUS

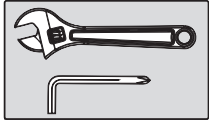
- Kuvassa on esitetty harjoituslaite soveltuvilla pidennetyillä kaidetangoilla.
- Pidennetyt lisäkaidetangot voidaan ostaa lisävarusteena.
- Tuotenro: 22TRNRH000

Pyydä lisätietoja jälleenmyyjältä.

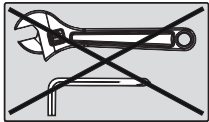
Asennusta koskevia lisätietoja

Kiristä mutterit ja ruuvit

Jotta asennetut rungkon osat eivät kohdistuisi väärin, on suositeltavaa suorittaa seuraavat vaiheet ennen muttereiden ja pulttien varsinaista kiristystä. Näin aiemmin asennettuja osia voidaan kohdistaa uudelleen, jolloin kokoonpano etenee kokonaisuudessaan sujuvammin. Siksi on suositeltavaa noudattaa alla olevia ohjeita.



Kiristä kunnolla kaikki mutterit ja ruuvit sen jälkeen, kun kaikki nykyisen ja edeltävien vaiheiden osat on asennettu.



Älä kiristä kaikkia muttereita ja ruuveja tässä vaiheessa. Käsin kiristäminen riittää.

Lisätietoja ympäristöstä

Pakkauksen hävittäminen

Lainsäädäntö ohjeistaa meitä vähentämään kaatopaikoille toimitetun jätteen määrää. Sen vuoksi pyydämme sinua toimittamaan kaikki pakkausjätteet sitä varten tarkoitettuun kierrätysasemaan.

Laitteen hävittäminen käyttöiän päätyttyä

Me Tunturilla toivomme, että iloiset kuntolaitteestasi vuosia. Jokainen kuntolaite tulee kuitenkin aikanaan oman käyttöikänsä loppuun. Kotitalouksien sähkö- ja elektroniikkalaiteromua käsittelevien eurooppalaisten määräysten (WEEE) mukaan sinun kuuluu toimittaa kuntolaitteesi sitä varten tarkoitettuun keräyspaikkaan.

Harjoitukset

Harjoituksen on oltava sopivan kevyt, mutta pitkäkestoinen. Aerobic-harjoitus perustuu kehon maksimi hapenottokyvyn parantamiseen, mikä puolestaan parantaa kestävyyttä ja kuntotasoa. Harjoituksen aikana sinun tulisi hikoilla, mutta sinun ei tulisi hengästyä. Harjoittele vähintään kolme kertaa viikossa 30 minuuttia peruskuntotason saavuttamiseksi ja ylläpitämiseksi. Paranna kuntotasoasi lisäämällä harjoituskertojen määrää. On hyödyllistä yhdistää säännöllinen harjoitus terveelliseen dieettiin. Dieettiin sitoutuneen henkilön tulisi harjoitella päivittäin, ensi alkuun korkeintaan 30 minuuttia ja vähitellen lisäten päivittäinen harjoitusaika yhteen tuntiin. Aloita harjoituksesi hitaalla nopeudella ja pienellä vastuksella estääksesi liiallisen rasituksen sydän-verisuonijärjestelmään. Nopeutta ja vastusta voidaan vähitellen lisätä kuntotason parantuessa. Harjoituksesi tehokkuus voidaan mitata seuraamalla sydämesi lyöntinopeutta ja pulssisi nopeutta. Lisää nopeutta ja vastusta vähitellen oman kuntosi mukaan. Pidä pää pystyssä ja kaula suorana välttääksesi stressiä kaulassa, hartioissa ja selässä. Pidä selkäsi suorana. Varmista, että jalkasi ovat keskellä polkimia ja että lantio, polvet, nilkat ja varpaat ovat suorana eteenpäin. Pidä painosi alaruumiin yläpuolella, huolimatta siitä, nojaatko eteenpäin vai seisotko suorana. Lopeta harjoitusjakso vähentämällä nopeutta ja vastusta vähitellen. Muista venyttää harjoittelun lopuksi.

Ohjeita harjoittelua varten

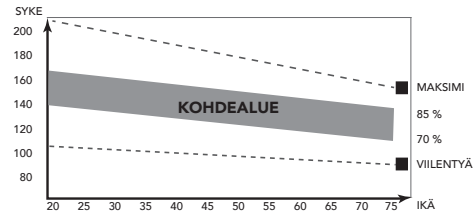
Kuntolaitteen käyttö tarjoaa monia etuja: se parantaa fyysistä kuntoa, kiinteyttää lihaksia ja hallittuun ruokavalioon yhdistettynä se auttaa myös pudottamaan painoa.

Lämmittelyvaihe

Tämän vaiheen tarkoituksena on saada veri virtaamaan nopeammin ympäri kehoa ja panna lihakset tekemään työtä. Lämmittely vähentää myös kramppeja ja lihaskramppien riskiä. Suosittelemme, että teet muutaman venyttelyharjoituksen alla olevan kuvan mukaisesti. Jokaisen venytyksen tulisi kestää noin 30 sekuntia. Älä tee venytyksiä väkisin tai nykäisten - jos tunnet kipua, LOPETA.

Harjoitteluvaihe

Tämä on se vaihe, jossa ponnistelet. Säännöllisen harjoittelun tuloksena jalkojesi lihakset tulevat joustavammiksi. Tässä vaiheessa on hyvin tärkeää ylläpitää tasaista nopeutta koko ajan. Rasituksen tulisi olla riittävän suuri, jotta sykkeesi nousee tavoitealueelle alla olevan kaavion mukaisesti.



Tämän vaiheen tulisi kestää vähintään 12 minuuttia, mutta useimmilla aloittelijoilla se on noin 15-20 minuuttia.

Jäähdyttelyvaihe

Tämän vaiheen tarkoituksena on antaa verenkiertojärjestelmäsi ja lihaksiesi palautua. Jäähdyttelyssä toistetaan lämmittelyvaiheen harjoitukset vähentämällä ensin nopeutta ja jatkamalla tällä nopeudella noin 5 minuuttia. Toista sitten venyttelyharjoitukset pitäen mielessä, että venytyksiä ei saa tehdä väkisin tai nykäisten. Kun kuntosi nousee, voit tarvita pidempiä ja raskaampia harjoituksia. On suositeltavaa treenata vähintään kolme kertaa viikossa, ja harjoittelut olisi hyvä jakaa tasaisesti viikon varrelle.

Lihasten kiinteyty

Jos tavoitteesi on lihasten kiinteyty, sinun pitää asettaa vastus suureksi. Silloin jalkojesi lihakset rasittuvat enemmän, etkä ehkä pysty treenaamaan niin pitkään kuin haluaisit. Jos tavoitteesi on myös kunnan kohentaminen, sinun pitää muuttaa harjoitteluohjelmaasi. Harjoittele lämmittely- ja jäähdyttelyvaiheissa normaalisti, mutta lisää vastusta harjoitteluvaiheessa, jotta jalkasi joutuvat tekemään enemmän työtä. Vähennä tarvittaessa nopeutta, jotta sykkeesi pysyy tavoitealueella.

Painon pudotus

Ratkaisevaa on se, miten rasittavaa harjoittelu on. Mitä enemmän ja mitä pidempään harjoittele, sitä enemmän poltat kaloreita. Vaikutus on sama kuin jos harjoittelisit kunnan kohentamiseksi, vaikka tavoite on nyt toinen.

Syke

Pulssinopeuden mitta (käsipulssianturit)

Pulssinopeus mitataan käsitukien antureilla käyttäjän koskettaessa kumpaakin anturia samanaikaisesti.

Pulssi saadaan mitattua mahdollisimman tarkasti, kun iho on hieman kostea ja se koskettaa koko ajan käsipulssiantureita. Jos iho on liian kuiva tai liian kostea, pulssinopeuden mitta voi olla epätarkempi.

!! ILMOITUS

- Älä käytä käsipulssiantureita yhdessä sykevyön kanssa.
- Jos asetat rajan sydämen lyöntinopeudelle, rajan ylityessä kuuluu äänihälytys.

Sykkeen mittaus (sykevyö)**!! ILMOITUS**

- Rinnahihna ei ole vakiona tämän kouluttajan kanssa. Kun haluat käyttää langatonta rintahihnaa, sinun on ostettava tämä lisävarusteena.

Tarkin sydämen lyöntinopeus saadaan sykevyöllä. Sykemittaus tapahtuu käyttöösi otettavan sykevastaanottimen ja sykevyön lähettimen avulla. Tarkka sydänmittaus edellyttää lähetinvyön elektrodien olevan hieman kosteita ja jatkuvassa kosketuksessa ihoon. Jos elektrodit ovat liian kuivia tai liian kosteita, sykkeen mittaus voi olla epätarkempi.

⚠ VAROITUS

- Jos sinulla on sydäntahdistin, ota yhteys lääkäriin ennen sykevyön käyttöä.

⚠ HUOMAUTUS

- Jos useita sykemittauslaitteita on vierekkäin, varmista, että niiden keskinäinen etäisyys on vähintään 2 metriä.
- Varmistu, että laitteen sykevastaanottimen ja sykevyön lähettimen kantomatkan sisällä ei ole muita lähettäjiä, jotka voisivat aiheuttaa häiriöitä mittauksessa.

!! ILMOITUS

- Älä käytä sykevyötä yhdessä käsipulssiantureiden kanssa.
- Pidä aina sykevyötä vaatteittesi alla suorassa kosketuksessa ihoosi. Älä pidä sykevyötä vaatteittesi päällä. Jos pidät sykevyötä vaatteittesi päällä, signaalia ei ole.
- Jos asetat rajan sydämen lyöntinopeudelle, rajan ylittyessä kuuluu äänihälytys.
- Lähetin lähettää sykkeen korkeintaan 1,5 metrin etäisyydellä olevaan ohjauspaneeliin. Jos elektrodit eivät ole kosteita, sydämen lyöntinopeus ei tule näytölle.
- Jotkin vaatteiden kuidut (esim. polyesteri, polyamidi) synnyttävät staattista sähköä, mikä voi estää tarkan sydämen lyöntinopeuden mittauksen.
- Matkapuhelimet, televisiot ja muut sähkölaitteet luovat sähkömagneettisen kentän, joka voi estää tarkan sydämen lyöntinopeuden mittauksen.

Suurin sallittu sydämen lyöntinopeus (harjoituksen aikana)

Suurin sallittu sydämen lyöntinopeus on suurin lyöntinopeus, jonka henkilö voi turvallisesti saavuttaa harjoituksen rasituksella. Seuraavaa kaavaa käytetään laskemaan keskimääräinen suurin sallittu sydämen lyöntinopeus: 220 - IKÄ. Suurin sallittu sydämen lyöntinopeus vaihtelee henkilöstä toiseen.

⚠ VAROITUS

- Varmista, ettet ylitä sydämesi suurinta sallittua lyöntinopeutta harjoituksen aikana. Jos kuulut riskiryhmään, ota yhteys lääkäriin.

Aloittelija**50-60% suurimmasta sallitusta sydämen lyöntinopeudesta**

Sopiva aloittelijoille, painonvartijoille, toipilaille, ja henkilöille, jotka eivät ole harjoitelleet pitkään aikaan. Harjoittele vähintään kolme kertaa viikossa, 30 minuuttia kerrallaan.

Edistynyt**60-70% suurimmasta sallitusta sydämen lyöntinopeudesta**

Sopiva henkilöille, jotka haluavat parantaa ja ylläpitää kuntoaan. Harjoittele vähintään kolme kertaa viikossa, 30 minuuttia kerrallaan..

Ekspertti**70-80 % suurimmasta sallitusta sydämen lyöntinopeudesta**

Sopiva kunnoltaan erittäin hyvillä henkilöillä, jotka ovat tottuneet pitkäkestoisin harjoituksiin.

Käyttö**Pääkytkin (kuva E-2A)**

Tämä laite on varustettu pääkytkimellä laitteen sammuttamiseksi kokonaan.

Laitteen käynnistäminen:

- Työnnä virtajohdon pistoke laitteeseen.
- Laita virtajohdon pistoke pistorasiaan.
- Laita pääkytkin ON-asentoon.

Laitteen pysäyttäminen:

- Laita pääkytkin OFF-asentoon.
- Poista virtajohdon pistoke pistorasiasta.
- Poista virtajohdon pistoke laitteesta.

Turva-avain (kuva F-4)

Laitteen varustukseen kuuluu turva-avain, joka on asetettava oikein konsoliin laitteen käynnistämiseksi. Jos turva-avain vedetään osittain ulos, se aktivoi hätätoimintatilan ja laite pysähtyy välittömästi.

- Aseta turva-avain konsolissa olevaan avaimenreikään painamalla sitä sisäänpäin.
- Varmista, että turva-avaimen solki on kunnolla kiinni vaatteissasi. Varmista, että vaatteisiin kiinnitetty solki on kiinnitetty niin lujasti, että se voi tarvittaessa vetää turva-avaimen ulos.

!! HUOMAUTUS!!

- Turva-avainta ei voi poistaa laitteesta, sillä se on osa kiinteää rakennetta.

!! ILMOITUS

- Konsoli näyttää E7-koodin, kun turva-avain ei ole paikallaan käynnistyksen aikana.

Katkaisin (kuva. E-2B)

Laite on varustettu katkaisimella, joka avaa virtapiirin sähkökuormituksen ollessa yli suurimman sallitun kuorman. Tämän tapahtuessa katkaisijaa on painettava.

⚠ VAROITUS

- Poista virtajohdon pistoke laitteesta ennen katkaisimen painamista.

Jos laite sammuttaa itsensä, käynnistä laite uudestaan seuraavasti:

- Poista virtajohdon pistoke laitteesta.
- Paina katkaisinta laitteen käynnistämiseksi uudelleen.
- Työnnä virtajohdon pistoke laitteeseen.

!! ILMOITUS

- Joitakin kotona käytettäviä katkaisimia ei ole luokiteltu korkeaan käynnistysvoltagevirtaan, jota voi esiintyä, kun juoksumatto kytketään päälle ja jopa normaalin käytön aikana. Jos juoksumattosi aktivoi katkaisimen (vaikka luokitus on oikea ja juoksumatto on virtapiiriin ainoa laite), mutta juoksumaton oma katkaisin ei aktivoitu, sinun pitää vaihtaa katkaisin korkealle käynnistysvoltagevirralle tarkoitettuun tyyppiin. Tämä vika ei kuulu takuun piiriin. Kyseessä on asia, johon emme valmistajana voi vaikuttaa.

Laitteen avaaminen ja kokoontaminen (kuva F1-F2)

Laite voidaan avata käyttöä varten (kuva F1) ja taittaa kokoon kuljetusta ja säilytystä varten (kuva F2).

Katso piirroksista oikea tapa laitteen avaamisen ja taittamisen kokoon.

⚠ VAROITUS

- Juoksualustan voi nostaa säilytysasentoon vain, mikäli alustan kulma on 0%. Mikäli kulma on jokin muu, säilytysasentoon nostaminen vahingoittaa lukitusmekanismia!

Tukijalkojen säätö

Laitteessa on säädettävät tukijalat.

Jos laite tuntuu epävakaalta tai huteralta tai se ei ole tasapainossa, tämä voidaan korjata tukijalkoja säätämällä.

- Käännä tukijalat sisään/ulos tarpeen mukaan, jotta saat laitteen tukevaan asentoon ja mahdollisimman hyvin vaakatasoon.
- Lukitse tukijalat kiristämällä lukkomutterin holkit*.

💡 VINKKI

- Tämä on helpompaa kaksin niin, että toinen henkilö kallistaa laitetta ja toinen tekee tarvittavat säädöt.



Katso YouTube-ohjevideomme napsauttamalla https://youtu.be/E_7agKq4Ulc

!! HUOMAUTUS

- Laitteet ovat vakaimmillaan, kun ne ovat mahdollisimman lähellä lattiaa. Aloita sen vuoksi laitteiston tasapainotus kääntämällä kaikki tukijalat kokonaan sisään, ennen kuin käännät tarvittavat tukijalat ulos laitteen vakauttamiseksi ja tasapainottamiseksi.

Ohjauspaneeli (kuva. E-1)



⚠ HUOMAUTUS

- Pidä ohjauspaneeli pois suorasta auringonvalosta.
- Kuivaa ohjauspaneelin pinta, jos siihen on tippunut hikeä.
- Älä nojaa ohjauspaneeliin.
- Kosketa näyttöä vain sormenpäälläsi. Älä kosketa näyttöä kynsilläsi tai terävillä esineillä.

!! ILMOITUS

- Ohjauspaneeli siirtyy valmiustilaan, kun laitetta ei ole käytetty 4 minuuttiin.

Painikkeet

Stop/Reset

- Paina kerran keskeyttääksesi harjoituksen/pysäyttääksesi juoksumaton hellästi.
- Paina kahdesti keskeyttääksesi harjoituksen/pysäyttääksesi juoksumaton nopeammin.
- Nollaa konsoli painamalla ja pitämällä pohjassa 2 sekunnin ajan "pysäytystilassa"

Start/Pause

- Aloita valittu harjoitus tai aloita keskeytetty harjoitus uudelleen, kun laite on keskeytystilassa.
- Keskeytä aktiivinen harjoitus.

Prog

- Paina selataksesi mahdollisia ohjelmia. (P0/ P1–P36/ U01–U03/ HRC1–HRC3/ FAT)

Mode

- Selaa tavoitteiden asetusparametrejä ohjelmointitilassa.
- Nollaa aikatavoite asettaessa aikatavoitetta ohjelmille P1–P36.
- Tätä painamalla voit jäädyttää näkyvät useita näyttöjä skannaavat LED-näytöt harjoitustilassa.
- Painamalla uudelleen voit poistaa jäädytyksen ja aktivoida skannaustilan uudelleen.

Speed +

- Lisää nopeutta (0.8 ~ 24.0 km/h)
- Yksi painallus lisää nopeutta 0.1 km/h.
- Painamalla ja pitämällä pohjassa kahden sekunnin ajan voi kasvattaa nopeutta nopeammin.
- Selaa ohjelmia ja muuta arvoja ohjelmointitilassa.

Speed -

- Vähentää nopeutta (0.8 ~ 24.0 km/h).
- Yksi painallus vähentää nopeutta 0.1 km/h.
- Painamalla ja pitämällä pohjassa kahden sekunnin ajan voi pienentää nopeutta nopeammin.
- Selaa ohjelmia ja muuta arvoja ohjelmointitilassa.

Nopeudensäätöpainikkeet:

Nopeudensäätöpainikkeiden arvoiksi on määritetty 6, 9 ja 12. Nopeus esimerkiksi muuttuu mistä tahansa nopeudesta arvoon 9 km/h, kun nopeudensäätöpainiketta 9 painetaan.

Kahvojen nopeuden pikasäätönäppäimet:

- + Sama kuin Speed +.
- Sama kuin Speed -.

Incline +

- Lisää kulmaa (0 ~ 15 +1).
- Selaa ohjelmia ja muuta arvoja ohjelmointitilassa.

Incline -

- Vähentää kulmaa (0 ~ 15 -1)
- Selaa ohjelmia ja muuta arvoja ohjelmointitilassa.

Kulmansäätöpainikkeet.

Kulmansäätöpainikkeiden arvoiksi on määritetty 0, 5 ja 10. Kulma esimerkiksi muuttuu mistä tahansa kulmasta arvoon 5, kun kulmansäätöpainiketta 5 painetaan.

Kahvojen kulman pikasäätönäppäimet:

- + : Sama kuin Incline +.
- : Sama kuin Incline -.

Näytön kohtien selitykset

Speed (Nopeus)

- Näyttää juoksumaton tämänhetkisen nopeuden harjoittelutilassa.
- Näyttää tavoitenopeuden ohjelmointitilassa.
- Näyttää ohjelmavalinnan ohjelmointitilassa.

Incline (Kulma)

- Näyttää juoksumaton tämänhetkisen kulman harjoittelutilassa.
- Näyttää tavoitekulman ohjelmointitilassa.

Distance (Matka)

- Näyttää juostun matkan harjoittelutilassa.
- Näyttää jäljellä olevan matkan laskurutilassa.
- Näyttää tavoitematkan ohjelmointitilassa.

Time (Aika)

- Näyttää tähänastisen juoksuajan harjoittelutilassa.
- Näyttää jäljellä olevan ajan laskurutilassa.
- Näyttää tavoiteajan ohjelmointitilassa.

Steps (askeleet)

Konsoli näyttää harjoituksen aikana ottamasi askelmäärän.

!! HUOMAUTUS

- Sisäänrakennetun askelmittaritoiminnon vakaa toiminta edellyttää, että käyttäjän paino on vähintään 40 kg ja asetettu vähimmäisnopeus on 3 km/h.
- Jos kehon paino ja/tai asetusnopeus on alhaisempi, toiminto ei välttämättä toimi vakaasti.

Heart (Syke)

- Näyttää sykkeen harjoittelutilassa tai kirjaimen "P", silloin kun sykettä ei mitata.

Calories (Kalorit)

- Näyttää kulutetut kilokalorit harjoittelutilassa.
- Näyttää jäljellä olevat kilokalorit laskurutilassa.
- Näyttää tavoitekilokalorit ohjelmointitilassa.

!! HUOM.

- Nämä tiedot muodostavat suurpiirteisen oppaan eri harjoitusjaksojen vertailuun. Niitä ei voi käyttää lääketieteellisessä hoidossa.

Scan

- "Time/ Step", "Heart/ Incline" & "Calories/ Distance" päivitty 5 sekunnin välein.
- Jäädytä suosikinäyttösi painamalla Mode (Tila), paina tilaa uudestaan jäädytyksen poistamiseksi ja aktivoi Scan (Skannaus) -tila uudestaan.

Näytön piippauksen selitys

Mittari on suunniteltu siten, että se ilmoittaa asioista käyttäjälle piippaamalla.

Tämä kertoo käyttäjälle tarpeellisesta muutoksesta, joka tekee harjoittelusta turvallisempaa.

Mittari ilmoittaa käyttäjälle seuraavista tilanteista:

- Ennalta asetetun tavoitteen saavuttamisesta.
- Nopeuden tai kallistuksen tai valitun ohjelman muutoksesta.

USB funktio

Voit ladata USB-liitännällä varustetun laitteesi harjoittelun aikana. Jännite/ virta: 5VDC/ 1.0 Amp

Ohjelmat

Pika-aloitus

- Paina "Start/Pause"-painiketta aloittaaksesi harjoituksesi ilman ennalta määritettyjä asetuksia.
- Juoksumatto käynnistyy 1,0 km/h:n miniminopeudella ja säilyttää nykyisen kulma-asetuksen.
- Voit milloin tahansa säätää nopeutta/kulmaa halutessasi muuttaa harjoitustasi, ja voit myös lopettaa/keskeyttää harjoituksen milloin tahansa.

Tavoitelaskurtila (P0)

Laitteen tulee olla käynnistystilassa tavoitelaskurtilan valitsemiseksi. Pidä painettuna "Stop/Reset"-painiketta 2 sekunnin ajan asettaaksesi juoksumaton käynnistystilaan.

- Paina "Mode"-painiketta valitaksesi tavoitelaskurtilan:
 - Harjoitusmuoto 1: Aikatavoite.
Säädä arvoa "Speed + & -" -näppäimillä, vahvasta painamalla Mode nuppia.
Oletusarvo 30:00 min. Arvoväli 5:00–95:00 ± 1:00.
 - Harjoitusmuoto 2: Matkatavoite.
Säädä arvoa "Speed + & -" -näppäimillä, vahvasta painamalla Mode nuppia.
Oletusarvo 1,00 km. Arvoväli 1,00–99,00 ± 1,0.
 - Harjoitusmuoto 3: Kalorilaskuri.
Säädä arvoa "Speed + & -" -näppäimillä.
Oletusarvo 50. Arvoväli 20–9 990 ± 10.
- Paina "Start/Pause"-painiketta aloittaaksesi harjoituksesi suoraan asetettuasi haluamasi tavoitteen.

!! HUOM.

- Kun tavoite on asetettu, juoksumatto pysähtyy automaattisesti, kun asetettu tavoite on saavutettu.
- Tavoitteita voi asettaa vain yhden.

Lopeta harjoituksesi

- Voit keskeyttää harjoituksesi milloin tahansa painamalla kerran "Start/Pause"-painiketta.
Näytöllä näkyy "PAUS", kun harjoitus on "Pause"-tilassa.
Keskeytyksen enimmäisaika on 4 min 30 sek.
- Jatka harjoittelua "PAUS"-tilan jälkeen painamalla "Start/Pause"-painiketta.
- Lopeta harjoitus painamalla kerran "STOP"-painiketta.
- Nollaa konsoli painamalla kahdesti "STOP"-painiketta.

Valmisohjelmat (P1–P36)

Laitteessa on 36 valmisohjelmaa, joilla on erilaiset profiilit. (Taulukko G)

- Valitse "P1~P36"-ohjelma painamalla "Prog"-painikkeita.
- Määritä haluamasi harjoituksen kesto
Säädä arvoa "Speed + & -" näppäimillä.
Oletusarvo 30:00 min. Arvoväli 5:00–95:00 ± 1:00.
- Paina "Start/Pause"-painiketta aloittaaksesi harjoituksesi.

!! HUOM.

- Nopeus ja kulma riippuvat valitusta ohjelmasta.
- Merkkiäni ilmoittaa käyttäjälle, että nopeutta ja/tai kulmaa säädetään muutaman sekunnin kuluttua.
- Kunkin osion kesto on 1/16 sarjan harjoitusajasta.
- Nopeutta ja kulmaa voidaan vaihtaa milloin tahansa, mutta se vaikuttaa vain aktiiviseen profiiliin osioon. Ohjelma seuraa profiilia uudelleen siirtyessään seuraavaan profiiliin osioon.

Käyttäjöohjelmat (U01–U03)

Laitteessa on 3 käyttäjöohjelmaa.

Jokaista käyttäjöohjelmaa voi muokata omien tarpeiden mukaan. Jokaisessa käyttäjöohjelmassa on 16 vaihetta. Nopeus ja kulma voidaan määrittää jokaiseen vaiheeseen erikseen. Jokainen vaihe kestää 1/16 kokonaisharjoitusajasta.

- Valitse "U-1-U-3"-ohjelma painamalla "Prog"-painikkeita.
- Määritä haluamasi harjoituksen kesto
Sääda arvoa "Speed + & -" näppäimillä. Oletusarvo 30:00 min.
Arvoväli 5:00-95:00 ± 1:00.
- Paina "Start/Pause"-painiketta aloittaaksesi harjoituksesi.

Profiilin ohjelmointitila.

- Valitse U-1, U-2 tai U-3 painamalla Prog-painiketta.
- Avaa valitun käyttäjäohjelman ohjelmointitila painamalla Mode-painiketta.
- Profiilin ohjelmointivalikko avautuu, ja voit asettaa siinä nopeuden ja kulman arvot ensimmäiselle 16 osasta.
- Asetat arvosi seuraavasti: - Aseta haluamasi nopeusasetus painikkeilla Speed + & -. - Aseta haluamasi kulma-asetus painikkeilla Incline + & -. - Vahvista painamalla Mode-painiketta.
- Ohjelmointitila ohjelmaprofiilin osalle 2 aukeaa.
- Loput 15 osaa on ohjelmoitava samalla tavalla, kunnes kaikki 16 osaa on asetettu.
- Kun vahvistat 16. osion, aikaikkuna vilkkuu. Siihen tulee määrittää haluttu harjoituksen kesto.
- Haluttu harjoitusaika asetetaan seuraavasti:
Aseta haluamasi harjoitusaika painikkeilla Speed + & -.
Oletusasetus: 30:00 min. / Asetusalue: 5:00~99:00 ± 1:00.
- Käynnistä ohjelma painamalla Start/Pause-painiketta.

!! HUOM.

- Ohjelmoitu käyttäjäohjelmaprofiili tallentuu automaattisesti, jotta sitä voidaan käyttää seuraavalla kerralla.

Kehon rasvan mittaus

Kehonrasvaohjelmalla pyritään määrittämään fyysinen kuntosi kehosi parametrien ja sykkeesi perusteella.

- Avaa ohjelmointitila painamalla "Mode"-painiketta.
- Valitse "8-1"
-ohjelma painamalla "Prog"-painikkeita, ja vahvista painamalla "Mode"-painiketta.
- Näytöllä näkyy "F1" (Sukupuoli).
Näytöllä näkyy "1"
Valitse painamalla "Speed + & -" -painikkeita:
1: Mies/ 2: Nainen - Vahvista painamalla "Mode"-painiketta.
- Näytöllä näkyy "F2" (Ikä).
Näytöllä näkyy "25"
Valitse painamalla "Speed + & -" -painikkeita: 1-99
Vahvista painamalla "Mode"-painiketta.
- Näytöllä näkyy "F3" (Pituus).
Näytöllä näkyy "170" cm
Valitse painamalla "Speed + & -" -painikkeita: 100-220 cm
Vahvista painamalla "Mode"-painiketta.
- Näytöllä näkyy "F4" (Paino).
Näytöllä näkyy "70" kg
Valitse painamalla "Speed + & -" -painikkeita: 20-150 kg
Vahvista painamalla "Mode"-painiketta.
- Näytöllä näkyy "F5" (Aktiivinen)
Pidä kiinni kahvojen sykemittaritunnistuksesta aktivoitaksesi "FAT"-mittauksen.
Noin 5-10 sekunnin päästä tulos tulee näytölle. Katso "Tuloksen laskenta".

⚠ HUOMIO

- Tämä toiminto edellyttää käsikahvan kosketuksella toimivista sykemittauslevyistä kiinnipitämistä.

Tuloksen laskenta:

VARTALOTYYPPI: (Kehon rasvaprosentti; 4 tyyppiä)

Kehon rasvaprosentti	0 ~ 17	Alipaino
Kehon rasvaprosentti	18 ~ 24	Normaali
Kehon rasvaprosentti	25 ~ 28	Ylipaino
Kehon rasvaprosentti	29 ~ +	Liikalihavuus

- BF = kehon rasvan mittaus (%-osuutena)
- Virhekoodi "ER" tulee näytölle, jos kehon rasvan mittausprosessin aikana ei havaittu sykettä.
- Poistu rasvanmittausohjelmasta painamalla "Stop/Reset"-painiketta.

Sykeohjattu ohjelma (HRC)

Sykeohjattu ohjelma on sykkeeseen perustuva nopeusohjelma. Nopeus kasvaa automaattisesti, kun sykkeesi on tavoitteen alapuolella, ja laskee, kun se on tavoitteen yläpuolella.

- Valitse sykeohjattu ohjelma ("HRC") painamalla "Prog"-painikkeita
HRC1: Ennalta määritetty maksimi- Nopeusraja on 8 km/h.
HRC2: Ennalta määritetty maksimi- Nopeusraja on 12 km/h.
HRC3: Ennalta määritetty maksimi- Nopeusraja on 16.0 km/h.
Ohjelma.
- Aseta ikäsi Näytöllä näkyy "25"
Valitse painamalla "Ylös/Alas"-painikkeita: 1-99
Vahvista painamalla "Mode"-painiketta.
- Tavoitesyke näytetään. Se perustuu määrittämääsi ikään.
Tavoitesyke = (220 - ikä) x 0,6.
Paina "Ylös/Alas"-painikkeita muuttaaksesi kohdearvoa 60~200 vahvista painamalla "Mode"-painiketta.
- Aseta harjoitusaikasi Näytöllä näkyy "30:00"
Valitse painamalla "Ylös/Alas"-painikkeita: 5:00-99:00.
- Käynnistä ohjelma painamalla "Start/Pause"-painiketta.

Sykeohjatun ohjelman toiminta:

- Sykeohjattu ohjelma alkaa minuutin lämmittelyllä (nopeus ei säädy automaattisesti).
- Alkunopeus on 1,0 km/h. Tätä voidaan säätää sopivaan lämmittelynopeuteen manuaalisesti.
- Konsoli tarkistaa sykkeen 30 sekunnin välein ja ohjaa nopeutta alla mainitusti.

Syke	parametri	nopeuden säätö
29+ lyöntiä minuutissa	alle tavoitteen	+ 2,0 km/h
6-29 lyöntiä minuutissa	alle tavoitteen	+ 1,0 km/h
0-5 lyöntiä minuutissa	alle tavoitteen	Ei säädetä
0-5 lyöntiä minuutissa	yli tavoitteen	Ei säädetä
6-29 lyöntiä minuutissa	yli tavoitteen	- 1,0 km/h
29+ lyöntiä minuutissa	yli tavoitteen	- 2,0 km/h

!! HUOM.

- Kulma-asetusta ei ohjata sykeohjatussa ohjelmatilassa, mutta käyttäjä voi ohjata sitä milloin tahansa lisätäkseen tai helpottaakseen rasiusta.
- Käyttäjällä voi muuttaa nopeutta milloin tahansa.
- Kun nopeus on yli esiasetettujen nopeusrajoitusten, se säädetään automaattisesti esiasetettuun nopeusasetukseen.
- Jos sykettä ei havaita, juoksumatto lopettaa harjoituksen.

⚠ HUOMIO

- Tämä toiminto edellyttää sykkeen mittaamista.

ERP-toiminto

ERP-toiminto sammuttaa juoksumattosi virransäätötilaan automaattisesti, kun sitä ei ole käytetty 4:30 minuuttiin. Voit ottaa tämän toiminnon käyttöön ja poistaa sen käytöstä seuraavasti:

- Kun juoksumatto on "käynnistystilassa", paina "Mode"-painiketta yhtäjaksoisesti 3 sekunnin ajan vaihtaaksesi Päällä- ja Pois päältä -tilan välillä.
 - Näytöllä näkyvä "1111" kertoo tilan olevan Päällä. Laite menee valmiustilaan, kun sitä ei käytetä 4:30 minuuttiin.
 - Näytöllä näkyvä "2222" kertoo tilan olevan Pois päältä. Laite menee valmiustilaan, kun sitä ei käytetä 4:30 minuuttiin.

HUOMIO

- Suosittelemme määrittämään, että ERP-toiminto on aina Päällä-tilassa.

Metrinen / keisarillinen asetus

Kun näytetty nopeus ei vastaa odotuksiasi, laite saattaa olla asetettu väärään asetukseen.

Metrinen: Min./ Max. Juoksumaton nopeus:
0.8 Km/h/ 24.0 km/h.

Imperial: Min./ Max. Juoksumaton nopeus:
0.5 Mls/h/ 15.0 Mls/h.

Vaihda yksiköitä seuraavasti:

Tilassa "ON":

Paina ja pidä "Prog" & "Speed -" -painiketta painettuna 3 sekunnin ajan.

Konsoli näyttää S-01-tilan:

- 0.6 Kun siirryt Imperial-tilaan.
- 1.0 Kun siirryt Metric-tilaan.
- Vaihda asetuksia painamalla Mode-painiketta kahden sekunnin ajan.

Paina "Start/ Pause" -painiketta vahvistaaksesi asetukset ja palataksesi takaisin käyttäjätilaan.



Katso YouTube-ohjevideomme napsauttamalla <https://youtu.be/KOxI5obz-RQ>

Sovellus & Bluetooth

- Tämä konsoli voi muodostaa yhteyden älylaitteen sovellukseen Bluetoothin välityksellä. (iOS & Android)
- Luo Bluetooth-yhteys vain asennetun APP-yhteystilan avulla älykkäässä laitteessa.

!! HUOM

- Tunturi ainoastaan tarjoaa mahdollisuuden yhdistää kuntolaite Bluetooth-yhteyden välityksellä. Tunturi ei siten ole vastuussa muiden kuin Tunturi-tuotteiden vahingoista tai toimintahäiriöistä.
- Tarkista verkkosivuilla lisätietoja.

Puhdistus ja huolto

VAROITUS

- Kuntokeskuslaitteesi tarvitsee kuukausittaista huoltoa, vaikka sitä ei käytettäisi.
- Poista pistoke pistorasiasta ennen puhdistusta ja huoltoa.
- Älä käytä liuottimia laitteen puhdistukseen.
- Lapset eivät saa puhdistaa laitetta tai tehdä käyttäjälle tehtäviä huoltotoimenpiteitä ilman valvontaa.

- Älä peitä tuuletusaukkoja. Pidä tuuletusaukot puhtaana pölystä, liasta ja muista esteistä.
- Puhdista laite pehmeällä, imukykyisellä kankaalla jokaisen käytön jälkeen.
- Puhdista laitteen näkyvät osat pölynimurilla käyttäen pientä imupäätä.
- Tarkista säännöllisesti kaikkien ruuvien ja mutterien olevan tiukasti kiinni.

HUOMIO

- Suosittelemme käyttämään juoksumatolla vain sisäkenkiä. Jos sinulla ei ole näitä, suosittelemme tarkistamaan jalkineiden pohjat ennen niiden käyttöä juoksumatolla varmistaaksesi niiden puhtauden, sillä juoksumatto ei kestä ulkoa tulevaa likaa.

Peruspuhdistus

Lika, pöly ja lemmikkieläinten karvat voivat tukkia laitteen ilma-aukot ja kerääntyä mattoon. Estä epäpuhtauksien kerääntyminen imuroimalla kuukausittain kuntolaitteen alta.

IRROTA ENSIN VERKKOJOHDON PISTOKE PISTORASIESTA

Matolle kertyvä pöly

Pölyä esiintyy tavanomaisen käyttöönoton aikana tai siihen asti kun matto vakautuu. Pyyhi mattoon mahdollisesti kerääntyvä pöly pois kevyesti kostutetulla liinalla.

Matto ja juoksualusta

Juoksumatossa on hyvin tehokas alhaisen kitkan juoksualue. Suorituskyky voidaan maksimoida pitämällä juoksualusta niin puhtaana kuin mahdollista. Lika ja pölyhiukkaset juoksualustan ja juoksuhihnan välillä vahingoittavat juoksualustan pintaa, mikä vaikuttaa suorituskykyyn ja tuotteen käyttöikään.

Ohjeet juoksualustan puhdistamiseen

Pyyhi pehmeällä ja kuivalla liinalla hihnan reunat sekä maton reunojen ja rungon välinen alue. Yritä kurkottaa myös hihnan reunojen alle poistaaksesi myös reunoihin kertyneen lian.

Ohjeet juoksumaton pinnan puhdistamiseen

Poista ensin irtoshiukkaset hihnan pinnalta nylonisella hankausharjalla. Käytä sen jälkeen kuivaksi väännettyä kosteaa liinaa (ei puhdistusaineita tai hankausaineita) pintakuvioidun hihnan yläosan hellävaraiseen puhdistamiseen. Anna hihnan kuivua ennen käyttöä.

!! HUOMAUTUS

- Kun hihna on liian likainen puhdistettavaksi pelkällä vedellä, voit käyttää mietoa saippuaa, mutta ei koskaan voiteluainetta tai liuotinta.
- Estä aina liuoksen pääsy juoksualustan ja hihnan väliin.

Tämä pitäisi tehdä säännöllisin väliajoin hihnan ja juoksualustan käyttöäin pidentämiseksi.

Voitelu (kuva F-6)

!! HUOMAUTUS

- Juoksumaton matto on voideltu ennen sen asentamista juoksumattoon laitteen tuotannon aikana. Siksi mattoa ei tarvitse voidella, kun se otetaan ensimmäisen kerran käyttöön.

Juoksuhihnan voitelutilanne on tarkistettava säännöllisin väliajoin. Siksi juoksumatossa on toiminto, joka muistuttaa asiasta 300 km välein. "HARJOITUSAIKAIKKUNAAN" tulee teksti "OIL" (voitelu), ja laite muistuttaa toistamalla äänimerkin 10 sekunnin välein. Noudata alla olevaa tarkistusmenettelyä ja poista "OIL" (voitelu) -teksti ja äänimerkki painamalla "STOP" (lopetä) -painiketta vähintään kolmen sekunnin ajan varoitussignaalin aikana.

⚠ VAROITUS


- Poista virtajohdon pistoke pistorasiasta ennen voitelua.

⚠ HUOMAUTUS

- Suosittelemme tarkistamaan juoksumaton voitelun vähintään kerran kuukaudessa, sillä muutkin tekijät kuin aika voivat vaikuttaa voiteluolosuhteisiin.
 - Voitele juoksumatto vain tarvittaessa. Jos laitat liikaa voiteluainetta, juoksumatto lipsuu herkästi kitkan puuttumisesta johtuen.
- Seiso vakaasti juoksumatolla.
 - Pidä kiinni etukäsituesta ja työnnä juoksumattoa jaloillasi niin, että se liukuu edestakaisin. Juoksumaton on liikuttava pehmeästi ja tasaisesti ääntä pitämättä.
 - Jos juoksumatto ei liiku pehmeästi ja tasaisesti tai, jos juoksumatto ei liiku ollenkaan, kosketa juoksumaton alapuolta sormenpäilläsi voitelun tarkistamiseksi:
 - Jos tunnet voiteluaineen tai sormesi ovat kiiltävät, juoksumatossa on riittävästi voiteluainetta.
 - Jos et tunne voiteluainetta, tai sormenpäisi ovat pölyiset tai ne tuntuvat karkeilta, laita voiteluainetta (± 10 ml.) keskelle juoksumatton alle ja anna laitteen käydä 5 km/h nopeudella vähintään 5 minuuttia.
 - Älä taita laitetta voitelun jälkeen ennen kuin olet suorittanut 2 minuutin harjoituksen vähintään 5 km/h nopeudella. Tämä saa voiteluaineen täysin imeytymään hihnaan ja leviämään tasaisesti.

!! HUOMAUTUS

- Jos 5 km/h on sinulle liian nopea vauhti, kävele haluamallasi nopeudella, mutta pidennä kestoja vähintään 5 minuuttiin.

 Katso YouTube-ohjevideomme napsauttamalla <https://youtu.be/ceaOYnofY5k>

Maton säädöt

Juoksumaton hyvä toiminta riippuu siitä, lepääkö runko riittävän tasaisella alustalla. Jos runko ei ole aivan vaakasuorassa, etu- ja takatela eivät pyöri tasaisesti, ja matto tarvitsee toistuvasti säätämistä.

Juoksumatto on suunniteltu siten, että matto pysyy riittävän keskellä käytön aikana. On aivan normaalia, että jotkut matot kulkeutuvat kohti toista laitaa, jos käynnissä olevassa laitteessa ei ole harjoittelijaa. Kun laitetta on käytetty muutama minuutti, maton kuuluu kuitenkin keskittyä itsestään. Jos matto siirtyy käytön aikana jatkuvasti toiseen laitaan, sitä on säädettävä.

POIKKEUS:

Kun juoksumattoa käytetään kuntoutukseen, ja kuntoutuja käyttää jompaakumpaa jalkaa toista jalkaa voimakkaammin, matto saattaa siirtyä toiseen laitaan. Tällaisessa tapauksessa mattoa ei pidä säätää. Sitä tulisi säätää vasta, jos matto ei tavallisessakaan harjoittelukäytössä keskity itsestään.

Hihnan kireyden säätö

Maton kireyden säätö - Kireys säädetään takatilasta. Säätöruuvit sijaitsevat reunalevyjen päätysojuksissa mukaisesti.

- Takatelan ruuveja on kiristettävä (myötäpäivään) vain sen verran, että etutela ei enää luista. Kierrä kumpaakin kireydensäätöruuvia 1/4 kierroksen askelissa ja tarkista välillä maton kireys kävelemällä matolla alhaisessa nopeudessa, varmistaen että matto ei luista. Jatka säätöruuvien kiristämistä, kunnes matto ei enää luista.

- Jos matto tuntuu sinusta riittävän kireältä mutta se luistaa edelleen, ongelma voi johtua siitä, että etusuojuksen alla sijaitseva moottorin käyttöihna on löysällä.
- Älä Kiristä Liikaa: Liiallinen kiristäminen voi vahingoittaa mattoa ja aiheuttaa laakerien ennenaikaisen vaurioitumisen.



Katso YouTube-ohjevideomme napsauttamalla https://youtu.be/pp4_4bL1MXo

Juoksuhihnan keskitys (kuva F-5)

Hihnan keskitys on tarpeen, kun hihna ei kulje juoksupinnan keskellä. Tämän huomaa helposti, kun sivualan ja hihnan välinen rako yhdellä puolella on huomattavasti suurempi kuin toisella puolella. Tämä voi johtua (jostain seuraavista):

SY Y 1

Työnnät yhdellä jalalla voimakkaammin harjoituksen aikana. Tämä aiheuttaa hihnan työntymisen sivuun, mutta korjaantuu automaattisesti, kun juoksumaton annetaan käydä kuormittamattomana muutaman minuutin ajan.

SY Y 2

Juoksumattonsi ei ole vaakatasossa, jolloin painovoima vetää hihnaa hitaasti juoksumaton alimpaan päähän. Tämä on korjattava säätämällä juoksumatto oikein, koska tätä ei voida ratkaista millään muulla säädöllä.

SY Y 3

Hihnaa ei ole keskitetty oikein etu- ja takarullan rummun väliin. Tämä on korjattava säätämällä hihnan kulkua alla kuvatulla tavalla.

Voit säätää hihnan kulkua laitteen mukana toimitetulla kuusiokoloavaimella.

- Aseta juoksumatto ± 5 km/h nopeudelle, älä juokse sillä.
- Kun hihna vetää oikealle puolelle.
 - Kierrä vasemman takarullan säätöpulttia, joka sijaitsee takana takarullan kannan kannassa, vastapäivään 1/4 kierrosta.
- Kun hihna vetää vasemmalle puolelle.
 - Kierrä oikeanpuoleisen takarullan säätöpulttia, joka sijaitsee takana takarullan kannan kannassa, vastapäivään 1/4 kierrosta.
- Odota ± 2 minuuttia, jotta hihna ehtii reagoida säätöön, ennen kuin tarvittaessa toistat säätövaiheet halutun tuloksen saavuttamiseksi.

!! HUOMAUTUS

- Muista, että pienellä säädöllä voi olla suuri ero, joten tee säädöt pienin välein kerrallaan.



Katso YouTube-ohjevideomme napsauttamalla <https://youtu.be/qx5AvT00J4>

Matto saattaa vaatia säännöllistä keskitystä laitteen käytöstä ja harjoittelijan kävely- tai juoksumattonsa riippuen. Eri käyttäjillä on erilainen vaikutus maton kulkuihin. On todennäköistä, että joudut jossakin vaiheessa säätämään maton keskitystä. Kun mattoa käytetään, säädöt tulevat tutuiksi ja niistä on vähemmän huolta. Maton keskittäminen on juoksumaton omistajan vastuulla kaikissa juoksumatoissa.

!! HUOM

- Maton vahingoittuminen huonosti toteutetun keskityksen tai kireyden säädön seurauksena ei kuulu takuun piiriin.

Käyttöhäiriöt

Jatkuvasta laaduntarkkailusta huolimatta laitteessa saattaa esiintyä yksittäisistä komponenteista johtuvia yksilövikoja tai toimintahäiriöitä. Koko laitteen toimittaminen korjattavaksi on yleensä tarpeetonta, sillä vika on useimmiten korjattavissa ko. osan vaihdolla.

Mikäli laitteen toiminnassa ilmenee häiriöitä käytön aikana, ota välittömästi yhteys laitteen myyjään. Ilmoita laitteesi malli ja sarjanumero (sarjanumerotarran sijainnin näet tämän käyttöohjeen etukannen sisäpuolelta). Ilmoita lisäksi häiriön luonne, laitteen käyttöympäristö sekä ostopäivämäärä.

Mikäli tarvitset laitteeseesi varaosia, ota yhteys laitteen myyjään. Ilmoita aina laitteen malli, sarjanumero sekä tarvittavan osan varaosanumero. Varaosaluettelon löydät tämän oppaan lopusta. Laitteessa saa käyttää vain varaosalistassa mainittuja osia.

Virhekoodit

Jos näytöllä näkyy virhekoodi ("E" + numero), käynnistä laite uudelleen ja tarkista näkykö virhekoodi edelleen näytöllä. Jos virhekoodi näkyy edelleen näytöllä, ota välittömästi yhteys jälleenmyyjään.

Oil

OIL ei ole virhekoodi, katso "Voitelu"

E5

Tarkoittaa sähkövikaa.

T90-juoksumaton uudelleenkäynnistyksen yhteydessä on tärkeää odottaa ainakin 30 sekuntia. Juoksumaton on oltava pois päältä 30 sekunnin ajan, ennen kuin se käynnistetään uudelleen. Jos laite käynnistetään uudelleen liian nopeasti, näytölle tulee aina E5. Tämä johtuu siitä, että vaihtovirtamoottorin ohjain tarvitsee pidemmän ajan sammuaan kokonaan silloinkin, kun mittari on jo ollut pois päältä vähintään 15 sekunnin ajan.

Ratkaise ongelma sammuttamalla juoksumatto kääntämällä virtakatkaisin off-asentoon. Odota 30 sekuntia ja käännä virtakatkaisin takaisin ON-tilaan. E5-virhekoodin ei pitäisi enää tulla näytölle. Jos virhekoodi silti ilmestyy näytölle, ota yhteyttä jälleenmyyjään laitteen huoltoa varten.

E7

Konsoli näyttää E7-koodin, kun turva-avain ei ole paikallaan käynnistyksen aikana.

E7 ei ole virhekoodi, katso "Turvallisuusavain"

Kuljetus ja säilytys

VAROITUS

- Poista pistoke pistorasiasta ennen puhdistusta ja huoltoa.
- Vähintään kahden henkilön on kannettava ja siirrettävä laitetta.
- Varmista, ettei muita henkilöitä tai esineitä ole laitteen alla.
- Kokoontaittaessasi laitetta varmista, että kuulet laitteen lukittuvan paikalleen estäen laitteen putoavan uudelleen alas.

⚠ HUOMAUTUS

- Varmista nousukulman olevan 0 % ennen laitteen kokoontaittoa. Jos nousukulma ei ole 0 %, kokoontaitto vaurioittaa mekanisme.
- Siirrä laite näytetyn mukaisesti (kuva F3). Siirtäkää laite ja laskekaa se varovasti alas. Asettakaa laite suojajalustalle lattiapinnan vaurioiden estämiseksi. Siirrä laitetta varovasti epätasaisilla pinnoilla. Älä siirrä laitetta yläkertaan pyöriä käyttäen. Suorita siirto kahvatuista kantaen.
- Säilytä laitetta pystyasennossa (kuva F1). Säilytä laitetta kuivassa, mahdollisimman tasalämpötilaisessa paikassa.

Takuu

Tunturi-kuntolaitteen omistajan takuu

Takuuehdot

Kuluttaja on oikeutettu soveltuviin, kansallisessa kuluttajatuotteiden kauppaa koskevassa lainsäädännössä mainittuihin lakisääteisiin oikeuksiin. Tämä takuu ei rajoita näitä oikeuksia. Ostajan takuu on voimassa vain, jos tuotetta käytetään ympäristössä, jonka Tunturi New Fitness BV on kyseiselle laitteelle hyväksynyt. Kunkin tuotteen sallitut käyttöympäristöt ja huolto-ohjeet on esitetty tuotteen käyttöohjeessa. Käyttöohje on ladattavissa verkkosivustoltamme. <http://manuals.tunturi.com>

Takuuehdot

Takuuehdot tulevat voimaan tuotteen ostopäivästä lukien. Takuuehdot voivat olla erilaiset eri maissa, joten pyydä takuuehdot paikalliselta jälleenmyyjältä.

Takuun kattavuus

Missään olosuhteissa Tunturi New Fitness BV tai Tunturi-jälleenmyyjä ei vastaa ostajalle mahdollisesti aiheutuvista välillisistä vahingoista, kuten käyttöhyödyn tai tulojen menetyksestä taikka muista taloudellisista seurausvahingoista.

Takuun tajoitukset

Takuu kattaa työstä ja materiaalista johtuvat virheet kuntolaitteessa, joka on alkuperäisessä kokoonpanossaan.

Takuu koskee vain virheitä, jotka ilmenevät normaalissa ja laitteen mukana tulleen ohjekirjan mukaisessa käytössä edellyttäen, että Tunturin asennus-, huolto- ja käyttöohjeita on noudatettu. Tunturi New Fitness BV:n ja Tunturin jälleenmyyjät eivät vastaa virheistä, jotka aiheutuvat heidän vaikutusmahdollisuuksiensa ulkopuolella olevista seikoista. Takuu on voimassa vain niissä maissa, joissa Tunturi New Fitness BV:llä on valtuutettu maahantuoja. Takuu ei koske sellaisia kuntolaitteita tai osia, joita on muutettu ilman Tunturi New Fitness BV:n suostumusta. Takuu ei koske virheitä, jotka johtuvat luonnollisesta kulumisesta, virheellisestä käytöstä, käytöstä olosuhteissa, joihin kuntolaitetta ei ole tarkoitettu, korroosiosta tai lastaus- tai kuljetusvahingoista.

Takuu ei koske käyttöäniä, jotka eivät olennaisesti haittaa laitteen käyttöä eivätkä johdu laitteessa olevasta virheestä.

Takuu ei myöskään sisällä kunnossapitotoimenpiteitä, kuten puhdistusta, voitelua tai sen osien normaalia tarkistamista, eikä sellaisia asennustoimenpiteitä, jotka asiakas voi suorittaa itse ja jotka eivät edellytä erityistä kuntolaitteen purkamista / kokeamista. Tällaisia toimenpiteitä ovat esim. mittareiden, polkimien tai muiden vastaavien yksinkertaisten osien vaihdot. Muun kuin valtuutetun Tunturi-edustajan suorittamia takuukorjauksia ei korvata. Laitteen käyttöohjeen noudattamatta jättäminen aiheuttaa takuun raukeamisen.

Tekniset tiedot

Parametri	Mittayksikkö	Arvo
Sähkölähteen jännite	VAC	210~240
Sähkölähteen taajuus	HZ	50~60
Juoksumaton nopeus	Km/H	0.8~24.0
Nousukulma	Step	0~15
Pituus / (taitettuna)	Cm	192.4 / (137.0)
Pituus / (taitettuna)	Inch	75.7 / (53.9)
Leveys	Cm	92.1
Leveys	Inch	36.3
Korkeus / (taitettuna)	Cm	149.1 / (155.0)
Korkeus / (taitettuna)	Inch	58.7 / (61.0)
Paino	Kg	117.0
Paino	Lbs	257.9
Suurin sallittu käyttäjän paino	Kb	150
Suurin sallittu käyttäjän paino	Lbs	330
Syke voidaan mitata seuraavasti:	käsi kahvojen anturit	Joo
	5.0 Khz	Ei
	5.3 Khz.	Ei
	Bluetooth (BLE)	Joo
	ANT+	Ei

!! HUOMAUTUS

- Jos haluat tietää tuotteen mitat ja toiminnalliset mitat, katso kuva J.

Valmistajan vakuutus

Tunturi New Fitness BV vakuuttaa, että Signature T90 Juoksumatto on seuraavien standardien ja direktiivien mukainen:

- RoHS-direktiivi (2011/65/EU)
- Konedirektiivi (2006/42/EC)

Täten Tunturi New Fitness BV vakuuttaa, että radiolaitetyyppinen Signature T90 Juoksumatto harjoituslaite on direktiivin mukainen 2014/53/EU.

Vaatimustenmukaisuusvakuutus, joka sisältää kaikki standardit ja direktiivit, on ladattavissa verkkosivustoltamme: <https://doc.tunturi.com>

Tunturi New Fitness BV
Purmerweg 1
1311 XE Almere
Alankomaat

Vastuuvapauslauseke

© 2025 Tunturi New Fitness BV
Kaikki oikeudet pidätetään.

- Tuote ja käyttöopas saattavat muuttua.
- Teknisiä tietoja saatetaan muuttaa ilman eri ilmoitusta.
- Katso käyttöohjeiden uusien versio verkkosivustoltamme.

TUNTURI®

FEEL BETTER EVERY DAY

TUNTURI NEW FITNESS B.V.

Purmerweg 1
1311 XE Almere
The Netherlands

P.O. Box 60001
1320 AA Almere
The Netherlands

info@tunturi.com
www.tunturi.com



20250825-W